



# Astra™ SL1680 Embedded IoT Processor Functional Specification

*PN: 505-001414-01 Rev.B*

Downloaded by Anonymous () on 5 Jan 2026 14:44 UTC

# Contents

List of Tables .....	7
List of Figures .....	9
1. Architecture Overview .....	11
1.1. Key Components and Sub-systems .....	12
1.1.1. Global Unit .....	12
1.1.2. System Manager (SM) .....	12
1.1.3. CPU (Arm Cortex A73MP Sub-system) .....	12
1.1.4. Boot ROM .....	12
1.1.5. SoC Connectivity and Access Control .....	12
1.1.6. DDR Memory Controller .....	12
1.1.7. Graphics and Neural Network Engines .....	12
1.1.8. Image Signal Processing (ISP) .....	12
1.1.9. Video Post Processing (VPP) .....	12
1.1.10. Audio Input/Output .....	13
1.1.11. Peripheral Sub-system .....	13
1.1.12. JTAG and Debugging Interfaces .....	13
2. Global Unit .....	14
2.1. Overview .....	14
2.2. Functional Description .....	15
2.2.1. Reset Module .....	15
2.2.2. Reset Sources .....	15
2.2.3. Software Reset Scheme .....	15
2.2.4. External Reset Sequence .....	16
2.2.5. Clock Module .....	17
2.2.6. PLL and Oscillator .....	17
2.2.7. Clock Dividers and Switches .....	18
2.2.8. Clock Switching Procedure .....	21
2.2.9. Boot Strap Module .....	21
3. System Manager (SM) .....	22
3.1. Overview .....	22
3.2. Power Domain and Power Sequence .....	23
3.2.1. Power Sequence .....	24
3.2.2. Initial Power-up Sequence (Cold Boot) .....	24
3.2.3. Power-down Sequence (Entering Standby) .....	24
3.2.4. Standby Power-up Sequence (Exiting Standby; Warm Boot) .....	24
3.3. Functional Description .....	25
3.3.1. System Manager CPU .....	26
3.3.2. Clock and Reset Generation .....	26
3.3.3. System Manager Address Map .....	26
3.3.4. System Manager Hardware Devices .....	27
4. CPU .....	32
4.1. CortexA73MP Sub-system .....	32
4.2. Reference Documents .....	33
4.3. Module Revision .....	34
4.4. CPU Clock .....	34
5. Boot ROM .....	35
5.1. Overview .....	35
5.2. ROM Code Flow .....	35
5.3. Flash Layout .....	37
5.3.1. SPI Flash for SPI-Secure Boot .....	37

5.3.2.	eMMC Layout	37
5.3.3.	Boot Operation Mode in eMMC	38
5.3.4.	eMMC Boot in SL1680 Device	39
5.3.5.	eMMC Boot Mode	39
6.	JTAG	40
6.1.	Overview	40
6.2.	JTAG Debug Port Configurations	40
6.3.	Boundary Scan Support	41
7.	SoC Connectivity and Access Control	42
7.1.	Connection Table	43
7.1.1.	Address Map	44
8.	DDR Memory Controller	47
8.1.	Introduction	47
8.2.	Memory Controller Feature List	47
8.3.	DDR Memory Controller Overview	48
8.4.	Functional Description	48
8.5.	DFI - DDR PHY Interface	49
8.5.1.	Features	49
8.5.2.	DFI System Overview	50
9.	Digital Rights Management/Demultiplexer	51
9.1.	Overview	51
9.2.	BCM	51
9.2.1.	Feature List	51
9.2.2.	Configuration Options	51
9.2.3.	Block Diagram	51
9.3.	TSP	53
9.4.	Kilopass OTP	53
10.	Transport Stream Processor	54
10.1.	Overview	54
10.1.1.	Standards	55
10.1.2.	Functionalities	55
10.1.3.	Interfaces	55
10.2.	Function Description	56
10.2.1.	FIGO System	56
10.2.2.	Transport Stream Input (TSI)	58
10.2.3.	Transport Stream Output (TSO)	65
10.2.4.	Section Filter	66
10.2.5.	Crypto Engine	73
10.2.6.	Command Dispatcher	81
10.2.7.	Crypto Blocks	81
10.3.	Sync Word Detection (SWD)	88
10.3.1.	Operation Model	88
10.3.2.	SWD Command Definition	88
10.3.3.	SWD Context Definition	90
11.	Graphics Engine	92
11.1.	GPU Features and Supported Standards	92
11.1.1.	GPU Key Features	92
11.1.2.	Unified Shading Cluster Features	93
11.1.3.	3D Graphics Features	93
11.1.4.	Compute Features	94
11.1.5.	FBCDC Features	94
11.2.	GPU Integration Overview	94
11.3.	GPU Bus Interface	95

11.3.1.	AXI Host Interface	95
11.3.2.	AXI SoC Interface	96
11.4.	Performance Characteristics	97
11.5.	GPU Architecture Overview	98
11.5.1.	3D Graphics Workload Outline	100
11.5.2.	Compute Workload Outline	101
11.6.	GPU Control Streams	102
11.6.1.	Workload Control Streams	102
11.6.2.	Internal Control Streams	102
12.	Neural Network Engine	103
12.1.	Overview	103
12.2.	Interface	105
13.	Image Signal Processing (ISP)	106
13.1.	Introduction	106
13.2.	Top Architecture	107
13.2.1.	ISP Top diagram	107
13.3.	ISP Clock Plan	108
13.4.	ISP Pixel Data Formats	109
13.5.	ISP Power Consideration	110
14.	Video Post Processing (VPP)	111
14.1.	Overview	111
14.2.	VPP Functional Description	115
14.2.1.	Main Video Plane	115
14.2.2.	PIP (Video)/Graphics Planes	117
14.2.3.	1D Scaler (Video Scaler)	118
14.2.4.	Graphics Scaler	119
14.2.5.	Component Scaler	120
14.2.6.	CPCB (Overlay and Timing Generator)	121
14.2.7.	3D-HDMI Formatter	124
14.2.8.	Video Output Stage (VOP) – HDMI	127
14.2.9.	Video Output Stage (VOP) – MIPI	127
14.3.	HDMI Transmitter	128
14.4.	HDMI Receiver	129
14.5.	eARC-RX	130
14.6.	HDCP	130
14.7.	Video Input Processing	130
14.7.1.	Feature List	130
14.8.	OVP Scaler Path	130
14.8.1.	Feature List	130
14.9.	Pipeline Control	131
14.9.1.	Register Interface	131
14.9.2.	DRAM Interface	131
14.9.3.	Interrupt Scheme	131
14.10.	AVPLL	132
15.	Audio Input Output	133
15.1.	Overview	133
15.2.	Audio Clock Scheme	136
15.2.1.	Sampling Rate and Bit Clock	136
15.3.	Data Formats	137
15.3.1.	I2S Mode	137
15.3.2.	Left-Justified Mode	137
15.3.3.	Right-Justified Mode	138
15.3.4.	Time Division Multiplexed (TDM) Mode	138
15.4.	PCM Mono mode	140

15.5.	Pulse Density Modulation (PDM) Mode	140
15.6.	Direct Stream Digital (DSD) Mode	141
15.7.	S/P-DIF (IEC60958) Transmitter	142
15.7.1.	S/P-DIF Internal Sub-frame Format	142
16.	Peripheral Sub-system	144
16.1.	Introduction	144
16.2.	Description	144
17.	APB Components of Peripheral Interface	147
17.1.	General Purpose Input/Output (GPIO)	147
17.1.1.	GPIO as I/O Pins	147
17.2.	Two-Wire Serial Interface (TWSI)	150
17.2.1.	Overview	150
17.2.2.	TWSI Protocols	151
17.2.3.	START BYTE Transfer Protocol	154
17.2.4.	Multiple Host Arbitration and Clock Synchronization	154
17.2.5.	Operation Model	155
17.3.	Timers	155
17.4.	Watchdog Timers (WDT)	156
17.4.1.	Counter	156
17.4.2.	Interrupts	157
17.4.3.	System Resets	157
17.5.	Serial Peripheral Interface	158
17.5.1.	Overview	158
17.5.2.	Clock Ratios	159
17.5.3.	Transmit and Receive FIFO Buffers	159
17.5.4.	SPI Interrupts	160
17.5.5.	Transfer Modes	161
17.5.6.	Operation Modes	162
17.5.7.	Data Transfers	163
17.5.8.	Serial Peripheral Interface (SPI) Protocol	163
18.	SD Host	164
18.1.	SDIO Host Controller Features	164
18.2.	SDIO PHY Features	165
19.	eMMC	166
19.1.	eMMC Host Controller Features	166
19.2.	eMMC PHY Features	167
19.3.	DigiLogic-Specific Features	167
20.	Pulse Width Modulator (PWM)	168
20.1.	Overview	168
21.	USB 2.0 Host	169
21.1.	USB Controller Features	169
21.2.	USB PHY Features	170
22.	10/100/1000 Mbps (Gigabit) Ethernet Controller	171
22.1.	Functional Overview	171
22.2.	Features	171
23.	PCI-e 2.0	173
23.1.	Overview	173
23.2.	Functional Overview	173
23.2.1.	Features	173
24.	USB 3.0 Host	174
24.1.	Overview	174

24.1.1.	Features .....	174
25.	Video Codec .....	175
25.1.	Video Decoder .....	175
25.1.1.	Supported Video Decode Formats .....	176
25.2.	Video Encoder .....	177
25.2.1.	Supported Video Encode Formats .....	177
26.	References .....	178
27.	Revision History .....	179

Downloaded by Anonymous () on 5 Jan 2026 21:34:44 UTC

## List of Tables

Table 1.	PLLs and Output Frequency .....	17
Table 2.	SL1680 Clocks .....	18
Table 1.	SM Memory Map .....	26
Table 2.	System Manager I/O Device Address Map .....	27
Table 3.	Interrupt Sources Connected to Interrupt Controller .....	27
Table 4.	Function Enable .....	30
Table 5.	CortexA73MP Configuration Options .....	33
Table 6.	ARM IP Revision .....	34
Table 1.	SoC Boot Source .....	37
Table 1.	SL1680 Debug Port Configuration .....	41
Table 2.	SL1680 Supported Instructions .....	41
Table 1.	Host and Target Pair Connection Levels .....	44
Table 2.	System Memory Map .....	44
Table 3.	Low-Speed Register Memory Map .....	45
Table 4.	Fast-Access Register Memory Map .....	46
Table 1.	TSP_HBO_FIFO_ID .....	56
Table 2.	TSI Packet Information Entry Definitions .....	60
Table 3.	PID Table Entry Definitions .....	62
Table 4.	Section Command Entry Definitions .....	67
Table 5.	Section Filter Entry Definitions .....	69
Table 6.	Section Rule Entry Definitions .....	71
Table 7.	Section Table Entry Definitions .....	73
Table 8.	Crypto Command Entry Definitions .....	74
Table 9.	Crypto Return Entry Definitions .....	76
Table 10.	Differences of FIGO, Crypto Engine and SWD Address Mapping .....	77
Table 11.	TSP Key Entry Definitions .....	79
Table 12.	Crypto Engine Key Table Address Mapping .....	80
Table 13.	TSP Key Table for Crypto Engine .....	80
Table 14.	CRC Parameter Entry Definitions .....	81
Table 15.	ARIB-MULTI2 Parameter Entry Definitions .....	82
Table 16.	AES Parameter Entry Definitions .....	83
Table 17.	TDES Parameter Entry Definitions .....	84
Table 18.	C2 Parameter Entry Definitions .....	85
Table 19.	WMMAC Parameter Entry Definitions .....	86
Table 20.	RC4 Parameter Entry Definitions .....	87
Table 21.	SWD Command Entry Definitions .....	88
Table 22.	SWD Context Entry Definitions .....	90
Table 23.	SWD Return Entry Definitions .....	91
Table 1.	Features of GPU AXI Host Interface .....	95
Table 2.	Features of GPU AXI SoC Interface .....	96
Table 3.	GPU Core Performance Characteristics .....	97
Table 4.	3D Graphics Workload Outline .....	100
Table 5.	Compute Workload Outline .....	101
Table 1.	Interface .....	105
Table 1.	ispSSTop Main Clock .....	108

Table 2.	ISP Data-path Block Pixel Format.....	109
Table 1.	VPP Supported Plane Inputs with Format Support.....	113
Table 2.	HDR and SDR Conversions.....	116
Table 3.	Source of Different CPCBO Planes.....	123
Table 1.	Audio Inputs/Outputs in SL1680.....	133
Table 2.	Audio Output paths/ports in SL1680.....	134
Table 3.	Sampling Rate and Bit Clock Relationship (I2S).....	136
Table 4.	Sampling Rate and Bit Clock Relationship (For TDM Mode).....	136
Table 5.	Encoding for Preambles.....	143
Table 1.	TWSI Definition of Bits in the First Byte.....	152
Table 1.	Supported Video Decode Formats.....	176
Table 2.	Supported Video Encode Formats.....	177

Downloaded by Anonymous () on 5 Jan 2026 21:34:44 UTC



## List of Figures

Figure 1.	SL1680 architecture block diagram	11
Figure 2.	Block Diagram of Global Unit	14
Figure 3.	SL1680 Device Reset Structure	15
Figure 4.	SL1680 Power-up Sequence	16
Figure 5.	SL1680 Clock Generation Structure	20
Figure 1.	SL1680 Power Domain Partitions	23
Figure 2.	SM Block Diagram	25
Figure 3.	Arm CortexA73MP Block Diagram	32
Figure 1.	ROM Code Flow	36
Figure 2.	SPI Flash Layout for SPI-Secure Boot	37
Figure 3.	State Diagram of Boot Mode	38
Figure 4.	State Diagram of Alternative Boot Mode	38
Figure 5.	Layout of eMMC Device	39
Figure 1.	JTAG Chain and Boundary Scan diagram	40
Figure 1.	SL1680 Bus Hosts and Targets	42
Figure 1.	DFI System Block Diagram	50
Figure 1.	BCM Block Diagram	52
Figure 1.	TSP Block Diagram	54
Figure 2.	TSI Block Diagram	58
Figure 3.	Input/Output packet format	59
Figure 4.	Transport Stream Output (TSO) Flow	65
Figure 5.	TS Packet Format	66
Figure 6.	Section Filter Rule Descriptor	68
Figure 7.	Crypto Engine	73
Figure 1.	Kioloa core in SoC	94
Figure 2.	GPU High-Level Architecture	98
Figure 3.	Example Workload Control Stream	102
Figure 1.	NPU block diagram	104
Figure 1.	High-level Block Diagram of the SL1680 VPP Engine	112
Figure 2.	Detailed Block Diagram of CPCBO	122
Figure 3.	Block Diagram of Overlay Engine which is part of CPCBO	122
Figure 4.	Structure (Frame Packing for Progressive Format)	124
Figure 5.	Structure (Frame Packing for Interlaced Format) Vactive per (Lodd+Rodd+Leven+Reven)	125
Figure 6.	Structure (Field Alternative for interlaced format) Vactive per (Lodd+Rodd,Leven+Reven)	126
Figure 1.	Functional Block Diagram of AIO Module	135
Figure 2.	I <sup>2</sup> S Mode	137
Figure 3.	Left-Justified Mode	137
Figure 4.	Right-Justified Mode	138
Figure 5.	8-Channel TDM Mode Data	139
Figure 6.	6-Channel TDM Mode Data	139
Figure 7.	4-Channel TDM Mode Data	139
Figure 8.	2-Channel TDM Mode Data	139
Figure 9.	PCM Mono Mode Data	140
Figure 10.	Half-Cycle PDM	140

Figure 11.	DSD Input from eARC RX Controller .....	141
Figure 12.	S/P-DIF Frame Format .....	142
Figure 13.	S/P-DIF Internal Frame Format .....	142
Figure 1.	Peripheral Sub-system Block Diagram.....	145
Figure 1.	GPIO Block Diagram .....	147
Figure 2.	GPIO Interrupt Block Diagram .....	149
Figure 3.	TWSI Start and Stop Condition.....	150
Figure 4.	START and STOP Condition .....	151
Figure 5.	7-Bit Address Format.....	152
Figure 6.	10-Bit Address Format.....	152
Figure 7.	Host-Transmitter Protocol.....	153
Figure 8.	Host-Receiver Protocol.....	153
Figure 9.	Start Byte Transfer .....	154
Figure 10.	Example Watchdog Timer.....	156
Figure 11.	Interrupt Generation.....	157
Figure 12.	Counter Restart and System Restart .....	157
Figure 13.	Hardware Target Selection.....	158
Figure 14.	Maximum SCLK_OUT/SPI_CLK Ratio .....	159
Figure 15.	SPI Host Device.....	162
Figure 16.	SPI Serial Format (SCPH = 0).....	163
Figure 1.	PWM Block Diagram .....	168
Figure 2.	Waveform .....	168
Figure 1.	Video Decoder Sub-system in a Video Playback System .....	175
Figure 2.	Top Level Interfaces to Video Decoder Sub-system .....	176

# 1. Architecture Overview

This document provides an in-depth description of the architecture, sub-systems, and operational characteristics of the Synaptics Astra™ SL1680 embedded IoT processor. This specification is crucial for engineers and developers integrating the SL1680 into their designs, providing detailed information on each sub-system and their interactions.

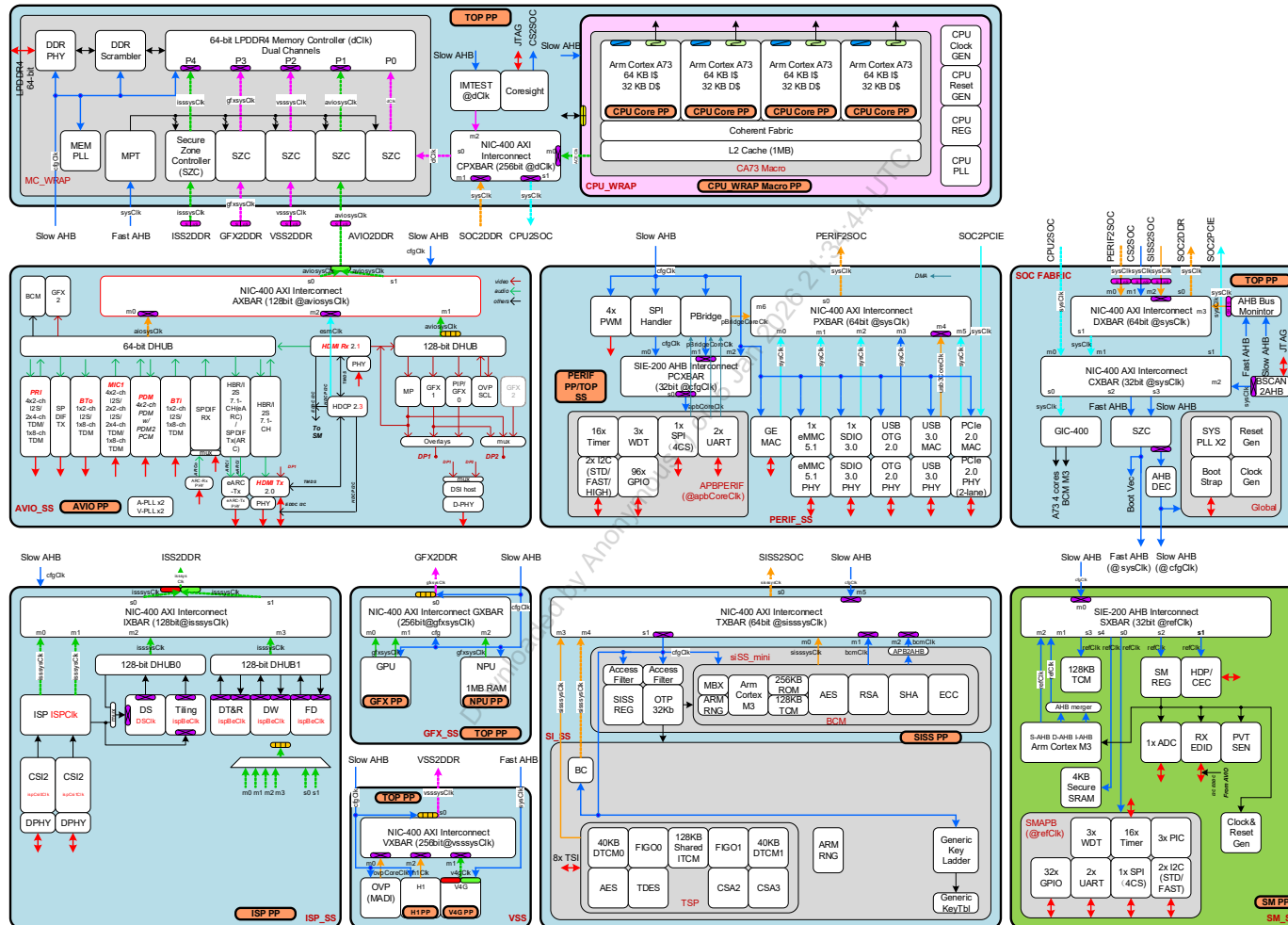


Figure 1. SL1680 architecture block diagram

## 1.1. Key Components and Sub-systems

### 1.1.1. Global Unit

The Global Unit manages critical functions such as clocking, reset signals, and bootstrapping. It includes the Clock Module, Reset Module, and Boot Strap Module, ensuring stable operation from power-up to runtime. The Clock Module features PLLs and clock dividers that generate the necessary frequencies for all subsystems.

### 1.1.2. System Manager (SM)

The SM handles power management and front panel control for media player devices. It operates independently of the main SoC power domains, enabling low-power standby operations. The SM includes an Arm® Cortex® M3 CPU, I/O controllers, and an integrated A/D converter and PVT sensor, managing various peripheral interfaces and ensuring efficient power usage.

### 1.1.3. CPU (Arm Cortex A73MP Sub-system)

The CPU subsystem is powered by a quad-core Arm Cortex A73MP processor. This subsystem includes an integrated L2 cache controller and provides high-performance processing for the SL1680. The CPU clock can be dynamically adjusted, with the system clock derived from a programmable PLL.

### 1.1.4. Boot ROM

The Boot ROM is responsible for initializing the system upon startup. It manages the flow of boot code, flash layout, and secure boot operations, ensuring that the processor boots securely and efficiently.

### 1.1.5. SoC Connectivity and Access Control

This section details the connectivity options within the SL1680, including interfaces like PCIe, USB, Ethernet, and more. It also covers access control mechanisms, which regulate data flow between different subsystems to ensure secure and efficient communication.

### 1.1.6. DDR Memory Controller

The DDR Memory Controller manages data flow between the CPU and external memory. It supports high-speed memory operations, crucial for the processor's performance in memory-intensive applications.

### 1.1.7. Graphics and Neural Network Engines

The SL1680 features a GPU for advanced graphics processing and a Neural Network Engine for AI tasks. These components are designed to handle demanding visual and computational workloads, making the SL1680 suitable for media-rich and AI-driven applications.

### 1.1.8. Image Signal Processing (ISP)

The ISP subsystem processes image data, supporting various pixel formats and image enhancement functions. It plays a key role in applications that require high-quality image capture and processing.

### 1.1.9. Video Post Processing (VPP)

The VPP subsystem handles video data processing, including scaling, color space conversion, and video output formatting. It supports both HDMI and MIPI interfaces, catering to a wide range of display outputs.

### 1.1.10. Audio Input/Output

The audio subsystem manages the input and output of audio signals, supporting various data formats and interfaces such as I2S, PCM, and S/P-DIF. It is designed to deliver high-quality audio processing for media applications.

### 1.1.11. Peripheral Sub-system

This sub-system includes various peripheral interfaces such as GPIO, TWI, SPI, UART, and more. These peripherals enable the SL1680 to interact with external devices and sensors, expanding its functionality in embedded applications.

### 1.1.12. JTAG and Debugging Interfaces

The JTAG interface provides debugging capabilities, allowing developers to troubleshoot and optimize the SL1680 during development. It includes support for boundary scan and ICE debugging, crucial for low-level hardware debugging.

Downloaded by Anonymous () on 5 Jan 2026 21:34:44 UTC

## 2. Global Unit

### 2.1. Overview

The SL1680 device relies on the Global Unit to provide on-chip clocking and reset signals. The Global Unit also handles all the chip and system-level control. The Global Unit includes a clock module, reset module, boot strap module, and CPU Programmable Registers. Figure 2 depicts the relationships among these modules.

The Reset Module takes the system reset signal from System Manager/POR pad and resets from CPU- controlled registers to create individual resets to each subsystem. The Boot Strap Module latches the strapping values from the pads 320 ns (8 cycles of 25 MHz clock) after SM to SoC reset, or POR changes from low to high. The strap values are kept in registers for the CPU to read and the same registers are also used directly to configure the SL1680 device. In this way, the boot strap register values and the actual configuration are always consistent. The bootstraps are used to select SL1680 clock generation and CPU boot options. The strap description is found in the *SL1680 Datasheet* (PN: 505-001413-01). The Clock Module includes 3 PLLs that generate required frequencies, and clock divider/switching logic for all the subsystems of the SL1680 device. The clock parameters are controlled by CPU programmable registers.

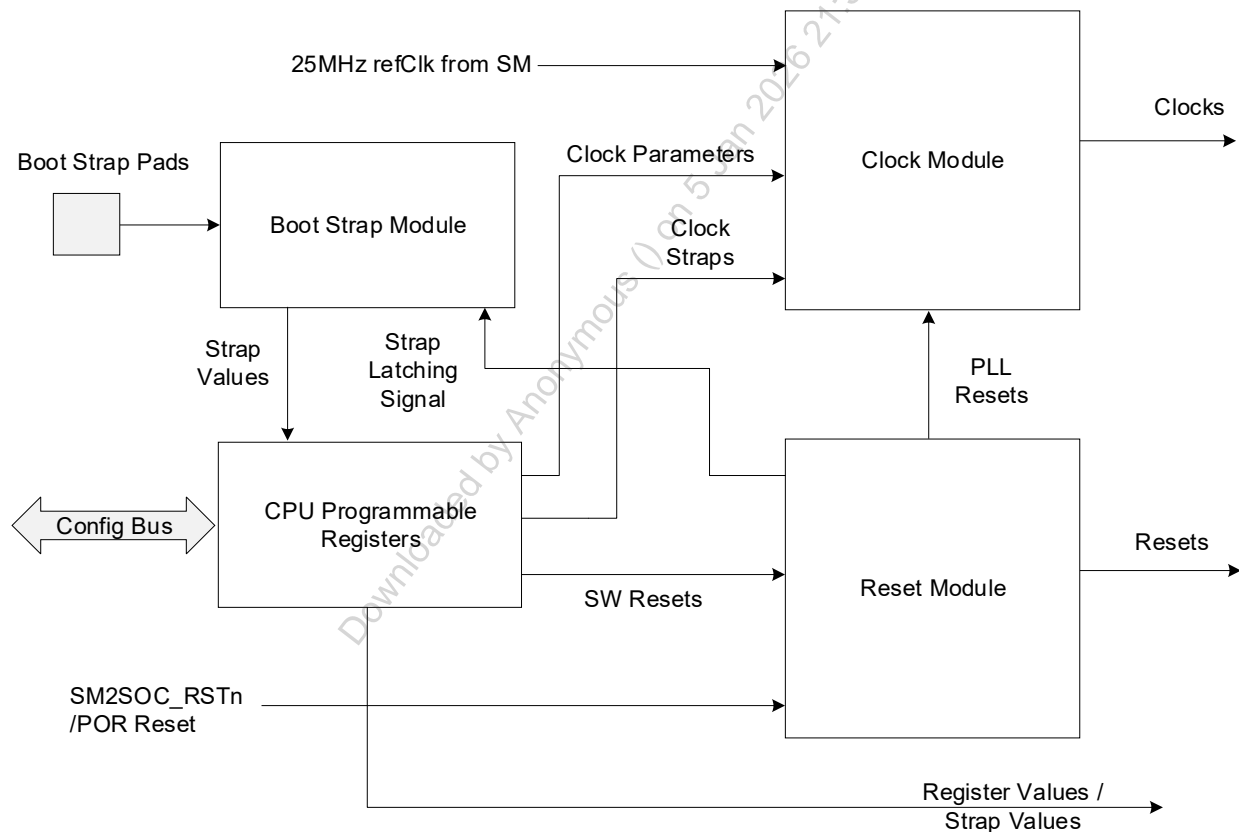


Figure 2. Block Diagram of Global Unit

## 2.2. Functional Description

### 2.2.1. Reset Module

Separate reset signals are generated for each clock domain on which a particular sub-system operates.

### 2.2.2. Reset Sources

There are nine sources to trigger each individual reset:

- Reset from SM
- Reset from POR\_VDD (monitor CORE VDD)
- Reset from POR\_VDD (monitor SM CORE VDD)
- Reset from POR\_VDD in CPU domain (monitor VDD\_CPU)
- Reset from POR\_AVDD18 (monitor 1.8V power supply on VDDIO)
- Reset from POR\_AVDD18 (monitor 1.8V power supply on SM VDDIO)
- Reset from POR\_AVDD33 (monitor 3.3V power supply on AVDD33\_USB2)
- Watchdog reset
- Register controlled module reset

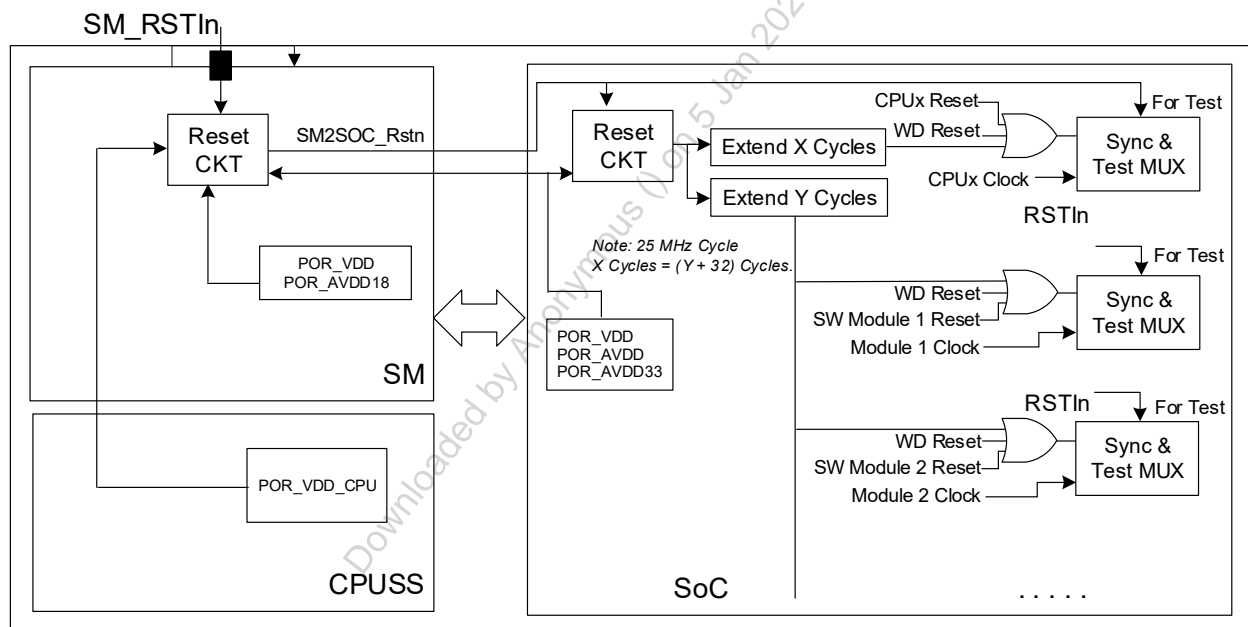


Figure 3. SL1680 Device Reset Structure

### 2.2.3. Software Reset Scheme

The SL1680 device uses a pair of reset registers (reset trigger register and reset status register) to facilitate the software reset. When software writes 1 to a reset trigger register bit, it results in the assertion of the corresponding reset for 16 reference clock cycles (25 MHz). The corresponding reset status bit is set to 1 until cleared by software. The CPU can access both the reset trigger register and reset status register.

## 2.2.4. External Reset Sequence

During the hardware reset, the SL1680 device prevents the CPU from booting up earlier than the remainder of the SoC by de-asserting the CPU reset after all other resets are de-asserted.

The power-up reset sequence is as follows:

1. External Reset pin is asserted, hardware reset occurs. The full SL1680 device is reset immediately.
2. External Reset is de-asserted. The SL1680 device reset state machine initiates.
3. SL1680 internal reset state machine de-asserts PLL reset. PLL starts to oscillate and lock.
4. SL1680 device latches power-on setting from strap pins.
5. PLLs are locked and stable clocks are driven to the modules after 1 ms
6. Global reset is de-asserted to all modules (except both CM3 CPU and CA73CPU) after 1ms.
7. De-assert CPU resets after 32 cycles (25 MHz).

Figure 4 shows the SL1680 power-up sequence.

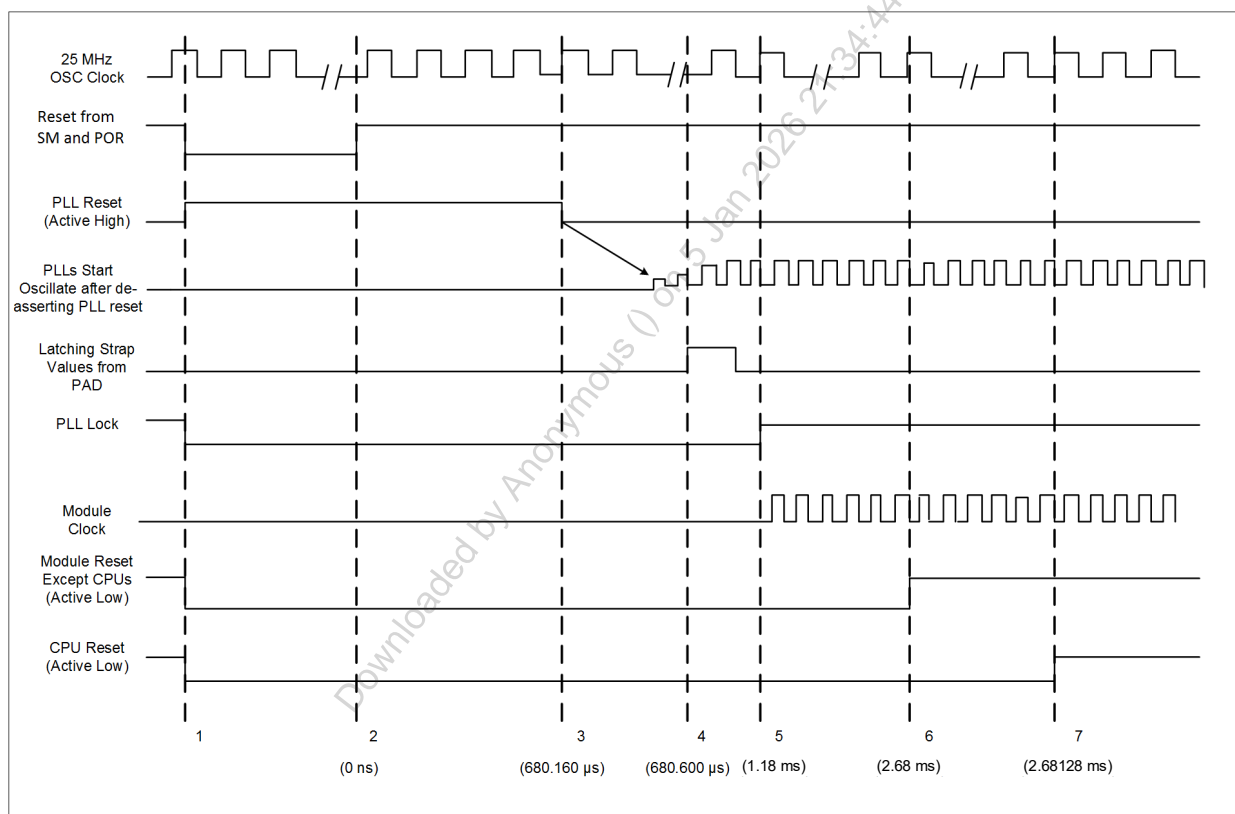


Figure 4. SL1680 Power-up Sequence



## 2.2.5. Clock Module

The clock module generates the clocks to each sub-system in the SL1680 device using PLLs and dividers.

## 2.2.6. PLL and Oscillator

The clock module has an internal oscillator to generate a stable reference clock to the PLLs using external 25 MHz crystal.

Table 1 lists the PLLs which are present in the clock modules and their corresponding frequency outputs.

Table 1. PLLs and Output Frequency

#	PLL	Frequency Output Range	Output Frequency formula	Notes
1	Memory PLL	20 MHz – 934 MHz	$CLKOUT = (DIVFI[8:0]) * 4 / DIVR * 25 / DIVQ$	Users can change the Feedback divider DIVFI values and VCO divider DIVQ value to obtain the preferred PLL frequency. The following block clock is provided by this PLL during reset default: <ul style="list-style-type: none"> <li>• DDR Memory Controller</li> </ul>
2	CPU PLL	20 MHz – 2.2 GHz	$CLKOUT = (DIVFI[8:0]) * 4 / DIVR * 25 / DIVQ$	User can change the Feedback divider DIVFI values and VCO divider DIVQ value to obtain the preferred PLL frequency. CPU clock are provided by this PLL during reset default.
3	System PLL	20 MHz – 1200 MHz	$CLKOUT = (DIVFI[8:0]) * 4 / DIVR * 25 / DIVQ$	There are 3 SYSPLL provided. Users can change the Feedback divider DIVFI values and VCO divider DIVQ value to obtain the preferred PLL frequency. The following block clocks are provided by this PLL during reset default: <ul style="list-style-type: none"> <li>• Video encoder/decoder</li> <li>• Peripheral sub-system</li> <li>• Video post-processor</li> <li>• GPU</li> <li>• NPU</li> <li>• Security Sub-system</li> <li>• Image Signal Processing Sub-system</li> </ul>
4	AVPLL	20 MHz – 1200 MHz	$CLKOUT = (DIVFI[8:0]) * 4 / DIVR * 25 / DIVQ$	There are 2 independent Audio PLL and 2 Video PLL PLLs (APLL_0/1 and VPLL_0/1). User can change Feedback divider DIVFI values to obtain the preferred PLL frequency for Audio and Video PLL respectively. The final clock output is also determined by its corresponding interpreter frequency offset and PPM offset setting. For detailed audio video clocks, see the AVPLL section of Video Post Processing (VPP) in this datasheet. Audio and video pixel clocks are provided by this PLL during reset default.

PLL frequencies can be adjusted without affecting the normal SoC operation with the following programming sequence:

- Switch clock source to reference clock by setting the clock into bypass mode.  
Note: Using PLL-generated clock registers to change PLL parameters is prohibited.
- Set the PLL Bypass register bit.
- Assert the PLL Reset.
- Program PLL to the new preferred frequency by changing its corresponding parameters.
- De-assert the PLL Reset after 2 s and have PLL re-LOCK with the new setting.
- Wait for the PLL to lock ( $>= 120 \mu\text{s}$ ).
- Remove PLL Bypass.
- Switch clock source back to PLL clock output.

### 2.2.7. Clock Dividers and Switches

The SL1680 device clock divider creates divide-by-1, divide-by-2, divide-by-3, divide-by-4, divide-by-6, divide-by-8, and divide-by-12 clocks for each individual module. To provide more flexibility of clock sources, the SL1680 device also allows most of the clocks selected from three SYSPLL\_0/1/2 outputs as their clock divider source clock. Table 2 lists the main clocks in SL1680 device and corresponding options available to select the clock sources.

Table 2. SL1680 Clocks (Sheet 1 of 2)

#	Clock	Clock Source Options	Clock Divider Options	Maximum Frequency (MHz)
1	Memory Controller Clock	Memory PLL	Divide by 2/4	934
2	Arm® Cortex® A73 CPU Clock	CPU PLL	Divide by 1/2/3/4/6/8/12	1800
3	System Bus Clock	3x SYSPLL "PLLOUT and PLLOUTF"	Divide by 1/2/3/4/6/8/12	400
4	Register Configuration Bus Clock	3x SYSPLL "PLLOUT and PLLOUTF"	Divide by 1/2/3/4/6/8/12	100
5	Video Decoder Core Clock	3x SYSPLL "PLLOUT and PLLOUTF"	Divide by 1/2/3/4/6/8/12	900
6	Video Encoder Core Clock	3x SYSPLL "PLLOUT and PLLOUTF"	Divide by 1/2/3/4/6/8/12	1000
7	GPU Core Clock	3x SYSPLL "PLLOUT and PLLOUTF"	Divide by 1/2/3/4/6/8/12	700
8	NPU Core Clock	3x SYSPLL "PLLOUT and PLLOUTF"	Divide by 1/2/3/4/6/8/12	800
9	Image Capture Sub-system Core Clock	3x SYSPLL "PLLOUT and PLLOUTF"	Divide by 1/2/3/4/6/8/12	600
10	AVIO VPP System Clock	3x SYSPLL "PLLOUT and PLLOUTF"	Divide by 1/2/3/4/6/8/12	600
11	TSP Core Clock	3x SYSPLL "PLLOUT and PLLOUTF"	Divide by 1/2/3/4/6/8/12	700
12	EMMC Controller Clock	3x SYSPLL "PLLOUT and PLLOUTF"	Divide by 1/2/3/4/6/8/12	200
13	SDIO0 Clock	3x SYSPLL "PLLOUT and PLLOUTF"	Divide by 1/2/3/4/6/8/12	200

Table 2. SL1680 Clocks (Sheet 2 of 2)

#	Clock	Clock Source Options	Clock Divider Options	Maximum Frequency (MHz)
14	RGMII Core Clock	3x SYSPLL "PLLOUT and PLLOUTF"	Divide by 1/2/3/4/6/8/12	125
15	USB3 Core Clock	3x SYSPLL "PLLOUT and PLLOUTF"	Divide by 1/2/3/4/6/8/12	400
16	OVP Core Clock	3x SYSPLL "PLLOUT and PLLOUTF"	Divide by 1/2/3/4/6/8/12	400
17	Arm Cortex M3 BCM CPU Clock	3x SYSPLL "PLLOUT and PLLOUTF"	Divide by 1/2/3/4/6/8/12	250
18	Low Speed Peripherals Core Clock	3x SYSPLL "PLLOUT and PLLOUTF"	Divide by 1/2/3/4/6/8/12	250

Downloaded by Anonymous () on 5 Jan 2026 21:34:44 UTC

The SL1680 device’s individual clock divider and clock multiplexer settings could be changed dynamically during the operation. For the clock generation structure, see Figure 5.

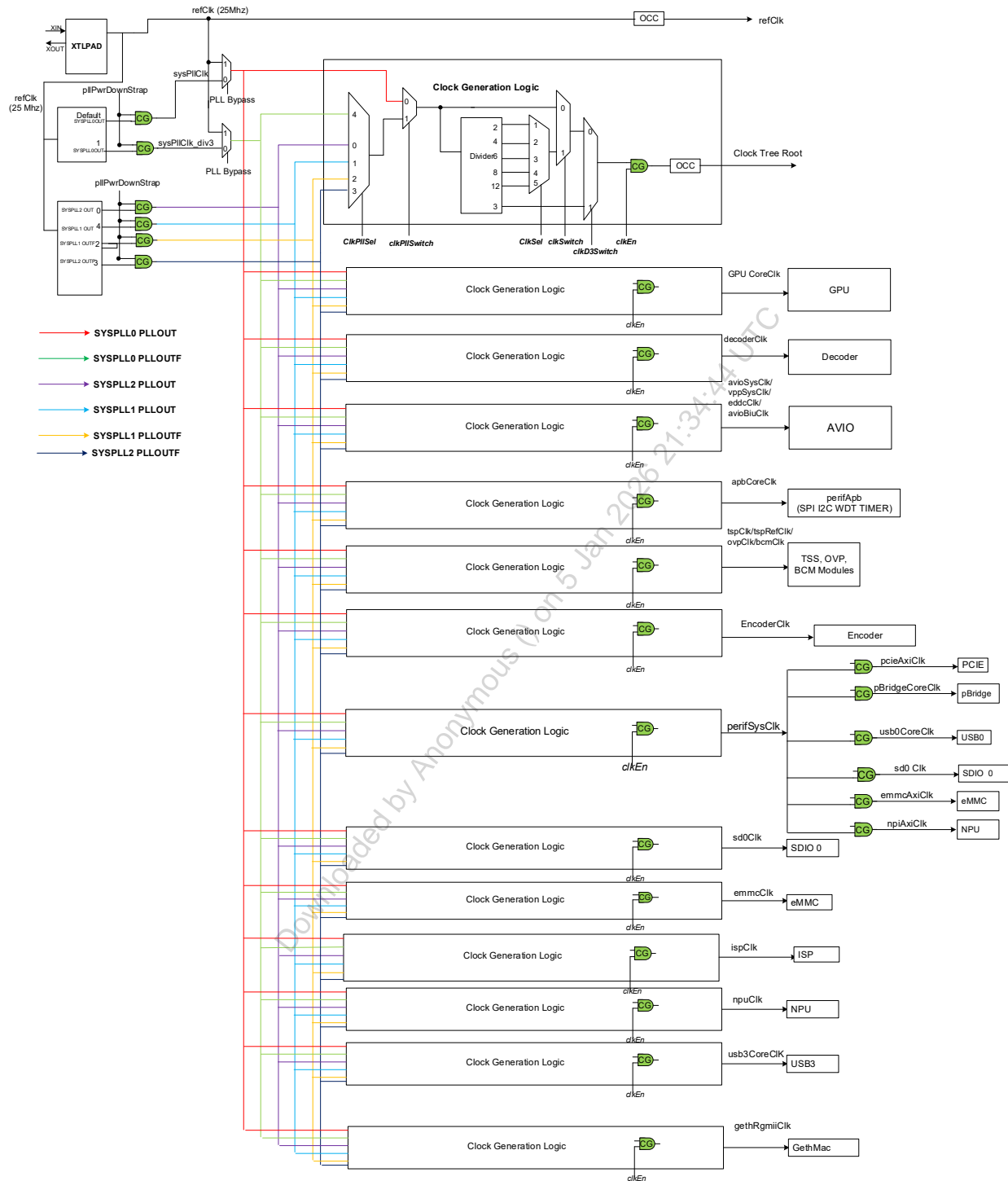


Figure 5. SL1680 Clock Generation Structure

### 2.2.8. Clock Switching Procedure

The clock generation scheme provides dynamic clock switching capability. Here is the programming pseudo code to illustrate the dynamic clock frequency change sequence using clock switching circuit shown in [Figure 5](#).

```

If (desired clock frequency is divided by 3 clock) {
  Turn on divide by 3 clock switch (ClkD3Switch = 1);
    Clock selection done;
  }
  else if (desired clock frequency is 1x clock)
  {
    Turn off divided clock switch (ClkSwitch = 0);
    Turn off divide by 3 clock switch (ClkD3Switch = 0);
    Clock selection done;
  }
  else {
    Select desired divided clock (/2, /4, /6, /8, or /12 by setting ClkSel);
    Turn on divided clock switch (ClkSwitch = 1);
    Turn off divide by 3 clock switch (ClkD3Switch = 0);
    Clock selection done;
  }

```

### 2.2.9. Boot Strap Module

The SL1680 device boot strap pins are shared with functional output pins. The SL1680 device is the only driver of those pins in the system. During boot-up, the SL1680 device sets those pins to input mode and external pull-up/pull-down resistors pull the boot strap pins to required levels. After boot strap latching window, those pins can be driven by the SoC to any level without affecting the bootstraps. The strapping information, which can be read by the CPU, is used to configure the SL1680 device. For detailed definitions of boot strap pin assignments and functions, see the *SL1680 Datasheet* (PN: 505-001413-01).

## 3. System Manager (SM)

### 3.1. Overview

The SL1680 device System Manager (SM) is designed for front panel control and power management functions in a media player device. The SM core and I/O power supply are isolated from the remainder of the SL1680 device (SoC). In standby mode, all the power rails of the SoC are shut down while the SM is powered up. This action enables the SM to drive the front panel, receive wake-up events from the remote control or front panel buttons, and initiate the SoC power-up sequence. By shutting down the SoC power, standby mode power consumption is less than 10mW.

The SM includes a low-power CPU (Arm® Cortex® M3) with on-chip instruction SRAM, ITCM, I/O controllers, such as TWSI, SPI, UART and GPIOs. The SM also has an integrated A/D converter and PVT sensor. In addition to direct access by SM CPU, these SM I/O devices can also be accessed by the SoC CPU through the internal AHB bus interface.

Downloaded by Anonymous () on 5 Jan 2026 21:34:44 UTC

### 3.2. Power Domain and Power Sequence

The SL1680 device has three power domains: System Manager as the always on power domain and the other two SOC and CPU are controlled domains. CPU and SOC are controlled power domains and they both together can be either ON (normal mode) or OFF (standby mode). As shown in Figure 1, there are multiple ways to control the power domain; refer the Key Factors below.

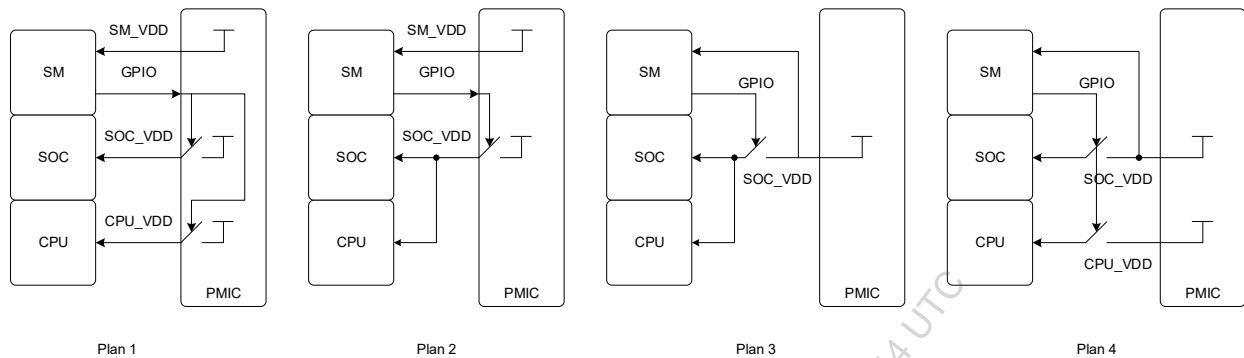


Figure 1. SL1680 Power Domain Partitions

#### Key Factors:

1. Having separate control for CPU power allows flexibility in system design with power budget (DVFS) at the expense of PMIC cost.
2. Whether to use on-board switch or PMIC internal switch control is up to system design.

### 3.2.1. Power Sequence

A specific power-up/-down sequence is required to power down the SoC block and to effectively and safely power up the system again later. SM supports three scenarios for power sequence:

- Initial power-up sequence (cold boot)
- Power-down sequence (entering standby mode from normal operation mode)
- Standby power-up sequence (exiting standby mode to normal mode; Warm Boot)

In each scenario, a specific power sequence must be followed by a combination of hardware and software.

### 3.2.2. Initial Power-up Sequence (Cold Boot)

1. System power supply applies power to SM.
2. System power supply provides power to SoC.
3. System de-asserts SM reset (SM\_RSTIn). SM CPU is kept in reset state by default after SM reset is de-asserted.
4. System de-asserts SoC reset (RSTIn), SoC boots up from the SoC boot ROM.
5. SoC downloads SM firmware to the SM ITCM.
6. SoC programs SM internal register to de-assert the SM CPU reset.
7. SM boots from the ITCM.
8. SM notifies SoC about the boot-complete state.

### 3.2.3. Power-down Sequence (Entering Standby)

1. SoC sends power-down request to SM.
2. SM asserts SM2SOC\_RSTn to assert SoC reset (RSTIn).
3. SM notifies system power supply to shut down the SoC power.
4. SM de-asserts SM2SOC\_RSTn to de-assert SoC reset.
5. System enters standby mode. Only SM block is active.

### 3.2.4. Standby Power-up Sequence (Exiting Standby; Warm Boot)

1. SM receives power-up command from front panel control through the GPIO or UART/IR receiver.
2. SM asserts SM2SOC\_RSTn to assert SoC reset.
3. SM notifies system power supply to turn on the SoC power.
4. SM de-asserts SM2SOC\_RSTn to de-assert SoC reset.





### 3.3.1. System Manager CPU

The System Manager CPU is an Arm Cortex M3. The SM CPU is configured to support 124 Kbyte instruction SRAM (ITCM). To save system power consumption, this CPU runs up to 25 MHz.

The SM CPU is kept in reset state after power-up. The SoC CPU boots first and then downloads the firmware image to the ITCM in SM. After the image is downloaded, it de-asserts the SM CPU reset for it to boot up.

The SM CPU supports JTAG-based ICE debugging. The SM CPU's debug can be accessed through CoreSight™ in SoC. SoC must be in power-on state to connect to SM CPU's debug port.

For detailed information on ICE debug support, see [Section 6., JTAG](#).

### 3.3.2. Clock and Reset Generation

The SL1680 SM has its dedicated on-chip oscillator to provide clocks for the subsystem. An external crystal of up to 25 MHz is required. This clock is the only one used throughout the SM subsystem.

The SM can be reset by:

- External system level reset generation circuit
- Watchdog timer (WDT)
- Software programmable register
- Reset from Security Control Logic (in SoC)

In addition to these reset sources, the SM CPU has its own software-programmable reset register control bit. By default, the reset register bit maintains the SM CPU in reset state until the SoC finishes downloading the SM CPU binary code to ITCM and then clears this bit.

SM also has a reset output, SM2SOC\_RSTn. It resets the SL1680 SoC and other system-level components. The SM CPU can set this reset output. The reset output is also driven to active level.

### 3.3.3. System Manager Address Map

The hardware devices in the SL1680 SM can be accessed by both SM CPU and SoC CPU. [Table 1](#) and [Table 2](#) show the address map of these devices from both SM CPU and SoC CPU. Note that the memory map refers to the starting address of each module.

The 4KB security SRAM is designed to store security information when the SoC is powered off and can be retrieved after SoC is powered on again. This memory space is not accessible by the SM CPU and is securely controlled by the SoC interconnect during boot-up. Only secure hosts can access this SRAM. For more information on secure access, see [Section 7., SoC Connectivity and Access Control](#).

Table 1. SM Memory Map

Items	SM Address Range	SoC Address Range
ITCM Memory	0x0000_0000 0x0001_FFFF	0xF7F8_0000 0xF7F9_FFFF
APB Components	0x4000_0000 0x4000_FFFF	0xF7FC_0000 0xF7FC_FFFF
Security Memory	0x1000_0000 0x1000_FFFF	0xF7FD_0000 0xF7FD_FFFF
CEC Registers	0x4001_0000 0x4001_0FFF	0xF7FE_1000 0xF7FE_1FFF
SM Ctrl Registers (biasmSysCtl)	0x4001_1000 0x4001_1FFF	0xF7FE_2000 0xF7FE_2FFF

Table 2. System Manager I/O Device Address Map

Components	Address Range	Base Address	SoC Base Address
ICTL_0	0x1000	0x1000_0000	0xF7FC_0000
ICTL_1	0x1000	0x1000_1000	0xF7FC_1000
ICTL_2	0x1000	0x1000_2000	0xF7FC_2000
WDT_0	0x1000	0x1000_3000	0xF7FC_3000
WDT_1	0x1000	0x1000_4000	0xF7FC_4000
WDT_2	0x1000	0x1000_5000	0xF7FC_5000
Timer_0	0x1000	0x1000_6000	0xF7FC_6000
Timer_1	0x1000	0x1000_7000	0xF7FC_7000
GPIO_0	0x1000	0x1000_8000	0xF7FC_8000
GPIO_1	0x1000	0x1000_9000	0xF7FC_9000
SSI	0x1000	0x1000_A000	0xF7FC_A000
I2C_0	0x1000	0x1000_B000	0xF7FC_B000
I2C_1	0x1000	0x1000_C000	0xF7FC_C000
UART_0	0x1000	0x1000_D000	0xF7FC_D000
UART_1	0x1000	0x1000_E000	0xF7FC_E000

### 3.3.4. System Manager Hardware Devices

This section briefly describes the peripheral devices integrated in the SL1680 SM sub-system. For detailed information of these devices, including interrupt controller, Timer, WDT, SPI, TWI, UART, and GPIO controller, see [Section 16, Peripheral Sub-system](#) for low speed peripheral devices.

#### 3.3.4.1. Interrupt Controller

The SM has three interrupt controllers. Each controller merges 35 interrupt inputs to generate a single IRQ request to SM CPU directly or to SoC interrupt controllers. All the interrupts are level triggered. The SM interrupt controller supports software interrupts, priority filtering, and vectorized interrupts which are not supported by SL1680 CPUs. The SM interrupt controller supports configurable input and output polarity.

The output of ICTL0 is connected to SM CPU, and the output of ICTL1, ICTL2 are connected to two SoC interrupt controller inputs (see [Table 3](#) for details).

[Table 3](#) shows the interrupt sources connected to the interrupt controller.

Table 3. Interrupt Sources Connected to Interrupt Controller

Interrupt Number	Interrupt Type	Interrupt Source
0	WDT_0	Watchdog Timer 0
1	WDT_1	Watchdog Timer 1
2	WDT_2	Watchdog Timer 2
3	Unused	NA
4	GPIO_1	GPIO 1

Table 3. Interrupt Sources Connected to Interrupt Controller (Continued)

Interrupt Number	Interrupt Type	Interrupt Source
5	SSI	SPI Host
6	I2C_0	TWSI 0 Host
7	I2C_1	TWSI 1 Host
8	UART_0	UART 0
9	UART_1	UART 1
10	Unused	NA
11	GPIO_0	GPIO 0
12	ADC	ADC
13	SOC2SMSWInt	SW Programmable Register Bit
14	TSEN	Temperature Sensor
15	Unused	NA
16	CEC	CEC Interrupt
17	FIFO_intr_en	FIFO Status Interrupt from CEC
18	Unused	NA
19	HPD	HPD Interrupt
20	~HPD	Inverted HPD Interrupt
21	Timer0_Intr_0	Timer0 Interrupt Bit 0
22	Timer0_Intr_1	Timer0 Interrupt Bit 1
23	Timer0_Intr_2	Timer0 Interrupt Bit 2
24	Timer0_Intr_3	Timer0 Interrupt Bit 3
25	Timer0_Intr_4	Timer0 Interrupt Bit 4
26	Timer0_Intr_5	Timer0 Interrupt Bit 5
27	Timer0_Intr_6	Timer0 Interrupt Bit 6
28	Timer0_Intr_7	Timer0 Interrupt Bit 7
29	Timer1_Intr_0	Timer1 Interrupt Bit 0
30	hdmirxOPwr5v	—
31	~hdmirxOPwr5v	—
32	~edid_intr	—

### 3.3.4.2. Timers

This SM timer includes two timer modules with eight counters in each module that are individually programmable. These times are driven by the SM clock. For each timer, software can program a 32-bit initial value. After it is kicked off, the timer counts down from this initial value. When the value reaches zero, the timer generates an interrupt and reloads the initial value and starts countdown again.

### 3.3.4.3. Watchdog Timer

The SL1680 SM provides a watchdog timer (WDT) to detect system hang from software or hardware issues.

The WDT counts down from a 32-bit preset timeout value. When the counter reaches zero, a system reset or CPU interrupt is generated, depending on the software setting of the WDT mask register. After the WDT reaches zero, it reloads the preset timeout value and restarts the countdown.

Software can restart from the preset timeout value at any time.

There are three WDTs in the SL1680 SM, each of which can be separately enabled or disabled to trigger SM and SoC resets through the mask register. As shown in [Figure 2](#), when any of the WDTs has timed out, and if its corresponding SM mask bit is disabled, the full SM module is reset.

SM2SOC\_RSTn is also asserted to reset the SL1680 SoC partition. On the other hand, if the corresponding SoC mask bit is disabled, the SM module is not reset; only the SM2SOC\_RSTn pin is asserted to reset the SL1680 SoC portion.

### 3.3.4.4. SPI Host

SPI Host supports multiple serial protocols:

- Serial Peripheral Interface (SPI)—A four-wire, full-duplex serial protocol. There are four possible combinations for the serial clock phase and polarity. The serial transfer can begin at the falling edge of the target select signal or at the first edge of the serial clock (depending on the register setting).
- Serial Protocol (SSP)—A four-wire, full-duplex serial protocol. The target-select line used for SPI and Microwire protocols doubles as the frame indicator for the SSP protocol.
- Microwire—A half-duplex serial protocol, which uses a control word transmitted from the serial host to the serial target.

### 3.3.4.5. TWSI Host

Two TWSI hosts are implemented to support fast transfer mode and 10-bit addressing.

### 3.3.4.6. UART

Two UARTs are selected for the SM design. UART0 and UART1 support IrDA functions.

### 3.3.4.7. GPIO

This block provides a total of 64 generic input/output controls.

### 3.3.4.8. PVT Sensor

The SL1680 SM PVT sensor measures the silicon process, voltage, and temperature inside the package. By reading the TSEN output registers, software can monitor the silicon PVT and take necessary actions. The range of the SM temperature sensor is from -40 degC (degree Celsius) to 125 degC, with accuracy of  $\pm 6$  degC (untrimmed) and  $\pm 1$  degC (trimmed).

The sequence mentioned below is basically from Datasheet for Process Translation method. The same sequence is valid for Temperature and Voltage sampling.

Table 4. Function Enable

VSAMPLE	PSAMPLE0	PSAMPLE1	ENA	Description
X	X	X	0	Reset
0	0	0	1	Temperature evaluation
1	X	X	1	Voltage evaluation
0	1	0	1	Process evaluation (LVT)
0	0	1	1	Process evaluation (ULVT)
0	1	1	1	Process evaluation (SVT)

Register Values:

- Default register value of `tсен_clk_en` = 0
- Default register value of `tсен_en` = 0

Test sequence:

1. Reset de-assertion
2. Set first 3 columns from above table to select Temperature evaluation
3. `Tсен_en`  $\rightarrow$  1,
4. `tсен_clk_en`  $\rightarrow$  1
5. Sample(poll) `data_rdy`
6. Sample Data
7. Clear `Data_rdy` and `Tсен_en`  $\rightarrow$  0
8. Optional step `tсен_clk_en`  $\rightarrow$  0
9. Set first 3 columns from above table to select Voltage evaluation
10. Repeat 3 to 8
11. Set first 3 columns from above table to select LVT evaluation
12. Repeat 3 to 8
13. Repeat above steps for remaining functions evaluation

### 3.3.4.9. ADC

The SL1680 ADC block is a successive approximation analog-to-digital converter having the resolution selectable between 12-/10-/8- and 6-bit. This cell is suitable to serve as an auxiliary ADC of a microprocessor, as a house-keeping converter for digital applications and broadband wireless communications. The ADC provides the following features:

- Selectable 12-/10-/8-/6-bit Resolution
- 5 MHz Conversion Rate
- Single-Ended or Differential Input
- 8:1 Multiplexed Inputs
- 1.8V Analog Power Supply
- 0.8V Digital Power Supply

### 3.3.4.10. CEC

The CEC interface consists of a set of programmable registers, status registers, Initiator and Follower logic, and two FIFOs of depth 16 for Initiator and Follower. The programmable registers can be addressed and data written to or read from, by a Host Interface Bus (referred to as M-bus in the block diagram). These registers serve to control the CEC Initiator and Follower logic. The status registers indicate status of interrupts and FIFO status, and may be read by the controller (in CPU subsystem) along the same bus. The Follower and Initiator logic take in `cec_line_in` as an input to sense the activity on the common CEC line while the `cec_line_out_en` output from the Initiator logic serves to affect the status (low/high impedance) of the CEC line.

The CEC block is added in the SM block and provides interrupts which are mapped on the ICTL for SM CPU and Main CPU.

### 3.3.4.11. Low Dropout (LDO)

LDO generates core voltage for the System Manager from an external power supply. Selecting the core voltage from an external source as well as using a pin selection are available options. Chip reset is asserted when power is unstable or when voltage drops below a certain threshold.

## 4. CPU

The SL1680 device integrates an Arm® Cortex® A73MP sub-system as the SoC CPU.

### 4.1. CortexA73MP Sub-system

Figure 3 is a CPU block diagram.

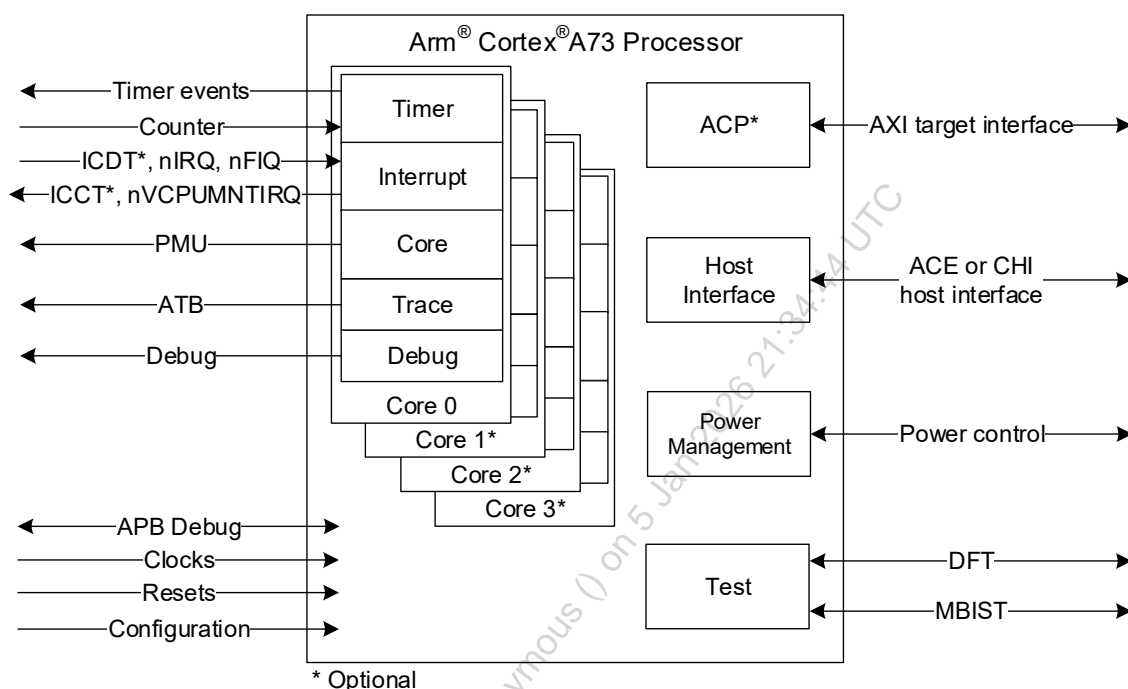


Figure 3. Arm CortexA73MP Block Diagram

The CortexA73MP subsystem integrates a Quad-Core Arm® Cortex® A73MP CPU, GIC, and the CoreSight™ components needed to bring out the ETM debug trace bus from the CPU.

The CortexA73MP consists of the following:

- Four Arm CortexA73 processors
- SCU that maintains coherency between the processors and arbitrates L2 requests from the processors
- One ACE host interface
- An APB target interface for debug
- Four ATB interfaces for each CA73 core



The configuration options used for the implementation of the CortexA73MP are shown in Table 5.

Table 5. CortexA73MP Configuration Options

Feature	Option
Number of CA73 Processors	4
Number of Interrupts	0
Integrated Generic Interrupt Controller	No
L2 Cache Controller	Yes
L1 Instruction Cache Size	64 KB
L1 Data Cache Size	32 KB
L2 Cache Size	1024 KB
L2 Data RAM Input Cycle Latency	2 cycles
L2 Data RAM Output Cycle Latency	3 cycles
Trace For Each Processor	No
ROM APB Base Address	22'h00_0000
CPU0 APB Debug Base Address	22'h01_0000
CPU1 APB Debug Base Address	22'h11_0000
CPU2 APB Debug Base Address	22'h21_0000
CPU3 APB Debug Base Address	22'h31_0000
Core 0 FPU	Yes
Core 1 FPU	Yes
Core 2 FPU	Yes
Core 3 FPU	Yes
Core 0 NEON™	Yes
Core 1 NEON™	Yes
Core 2 NEON™	Yes
Core 3 NEON™	Yes

## 4.2. Reference Documents

CPU users should be familiar with Arm documentation for these modules. Arm documentation is located at the Arm website: <http://infocenter.arm.com>.

Contact Arm support via email at: [Support-cores@arm.com](mailto:Support-cores@arm.com).

### 4.3. Module Revision

Table 6 lists Arm revisions of modules used.

Table 6. ARM IP Revision

Module	Revision
Arm CortexA73MP	r1p0
CoreSight	r1p0

### 4.4. CPU Clock

The PLL provides the CortexA73MP system clock. The PLL can be programmed to a stable clock frequency from 20 MHz to 2.2 GHz. A specific sequence is required to change the PLL frequency.

Downloaded by Anonymous () on 5 Jan 2026 21:34:44 UTC

## 5. Boot ROM

### 5.1. Overview

The SL1680 device ROM boot flow, the layout of the flash image, and secure boot scheme are described in this chapter.

The related hardware modules are as follows:

- BCM
- Boot strap
- SoC CPU
- eMMC Controller
- SPI Controller
- USB Controller

### 5.2. ROM Code Flow

The SL1680 device can boot in the following different scenarios depending on the boot strap options:

- SPI-Secure—The SoC boots from iROM and loads an encrypted image from SPI flash; upon decryption and security verification, the decrypted image takes control of CPU for the remainder of boot up.
- eMMC-Secure—The SoC boots from iROM and loads an encrypted image from eMMC flash; upon decryption and security verification, the decrypted image takes control of the CPU for the remainder of boot-up.
- USB-Secure—Conditionally supported based on OTP field. The SoC boots from iROM and loads an encrypted signed image from the USB host; upon decryption and security verification, the decrypted image takes control of the CPU for the remainder of boot up.

The same ROM code is used for SPI-Secure and eMMC-Secure boot options; the iROM code is executed in the Secure Processor (SCPU; the Arm® Cortex®-M3) domain in the BCM. The iROM code loads the next stage extension of iROM (eROM) boot image; the eROM is also executed in the SCPU and loads the Applications Processor (APCU, Arm Cortex-73) boot image (IM2) from one of the boot sources; decrypt and verify the IM2; then eROM starts the APCU to execute IM2.

Figure 1 illustrates the iROM code flow.

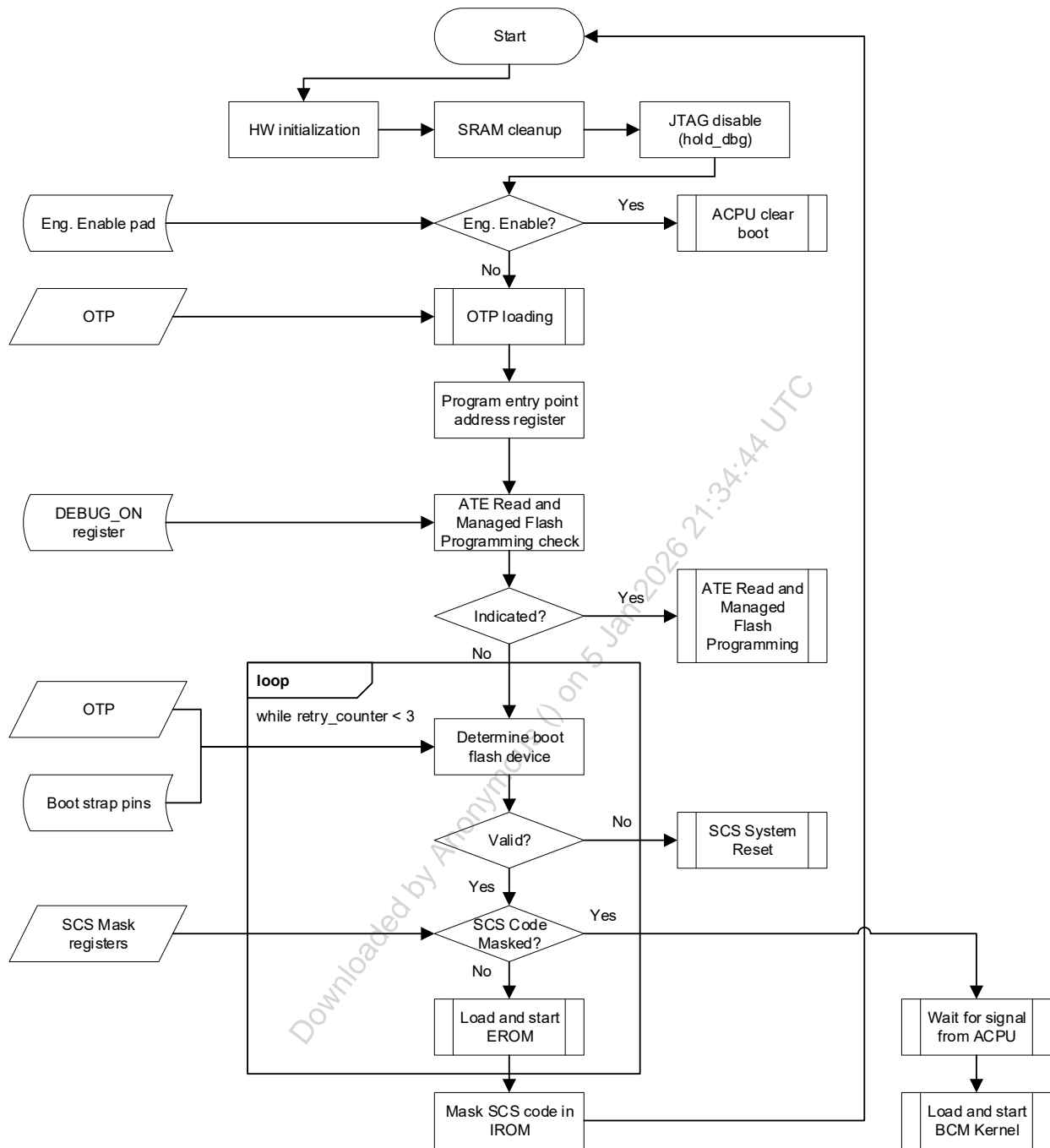


Figure 1. ROM Code Flow

After boot up from iROM and eROM, the ACPU continues the boot flow with IM2 SPI, eMMC, or USB host. The boot flow of Image-2 is completely flexible and independent of the SL1680 device; therefore, it is not covered as part of this document.

The source of the eROM and the IM2 is determined by boot strap pins.

Table 1. SoC Boot Source

Boot Up	SW Strap0	Boot Source Strap[2]	Description
SPI-Secure	0	00	Boot from iROM and load eROM and IM2 from USB host.
eMMC-Secure	0	10	Boot from iROM and load eROM and IM2 from SPI flash.
USB-Secure	1	Xx	Boot from iROM and load eROM and IM2 from USB host.

## 5.3. Flash Layout

When the SoC boots from different sources, the flash has different layouts.

### 5.3.1. SPI Flash for SPI-Secure Boot

The layout for SPI flash is shown in Figure 2. ROM code only reads Image-2 from the start of SPI flash (0xF0000000) to FIGO SRAM. Figure 2 provides an example layout. The layout of another bootstrap image and related data is determined by IM2 and other designs (in other words, it can be changed and is not addressed in this document).

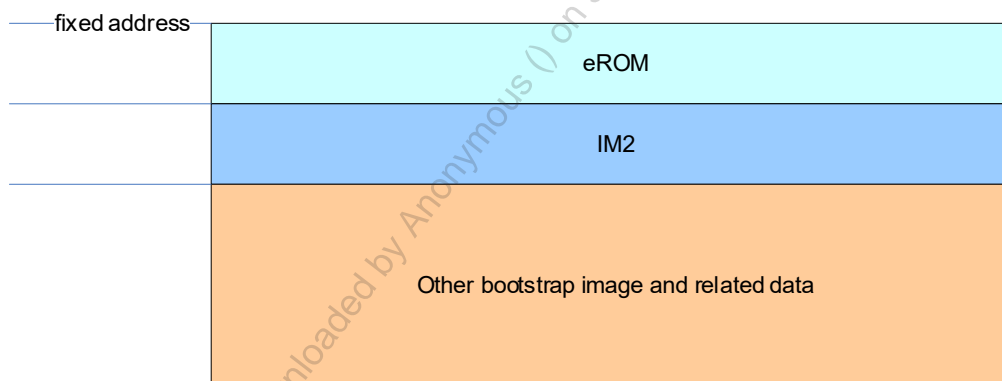


Figure 2. SPI Flash Layout for SPI-Secure Boot

### 5.3.2. eMMC Layout

#### 5.3.2.1. Partition Management in eMMC Device

The default area of the memory device consists of a User Data Area to store data, two possible boot area partitions for booting, and the Replay Protected Memory Block Area Partition to manage data in an authenticated and replay protected manner.

- Two Boot Area Partitions, whose size is multiple of 128 KB and from which booting from eMMC can be performed.
- Other user data area.

For other details about the eMMC partition management, refer to Section 7.2 and 7.3 in the *JEDEC STANDARD DESD84-A441*.

### 5.3.3. Boot Operation Mode in eMMC

Based on eMMC standard, two boot operations are introduced.

- Normal Boot operation (see section 7.3.3 in JEDEC STANDARD DESD84-A441)**  
 If the CMD line is held Low for 74 clock cycles and more after power-up or reset operation (either through CMD0 with the argument of 0xF0F0F0F0 or assertion of hardware reset for eMMC, if it is enabled in Extended CSD register byte [162], bits [1:0]) before the first command is issued, the target recognizes that boot mode is being initiated and starts preparing boot data internally. The partition from which the host will read the boot data can be selected in advance using EXT\_CSD byte [179], bits [5:3].

The host can terminate boot mode with the CMD line High.

Figure 3 is the state diagram of boot mode.

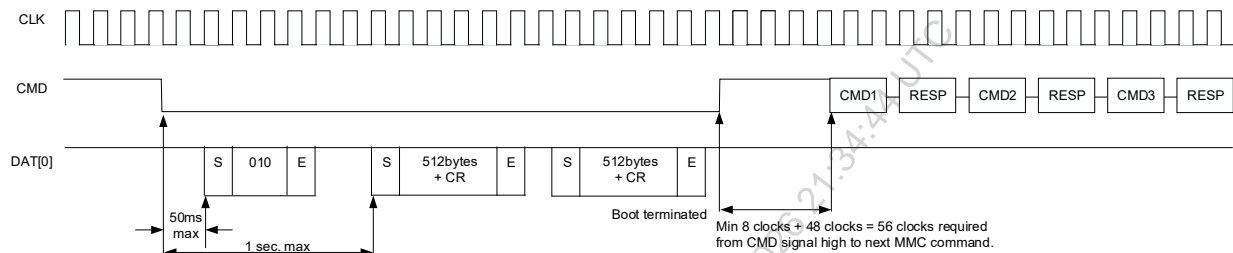
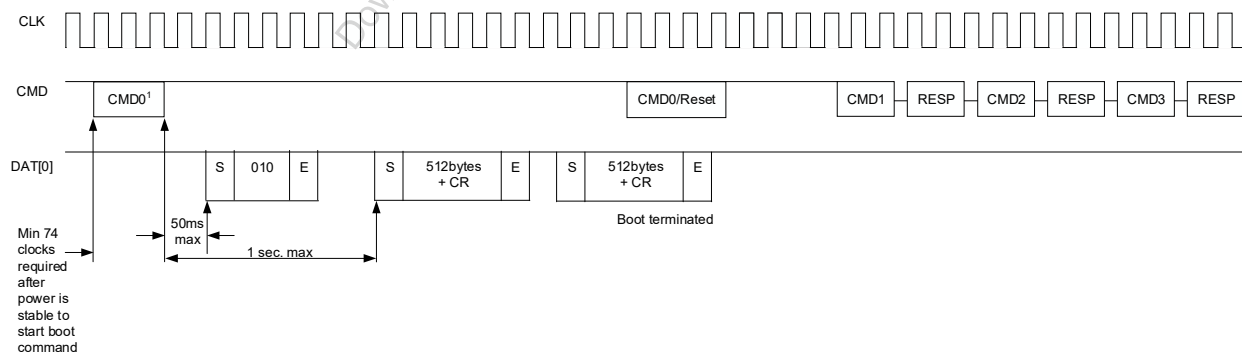


Figure 3. State Diagram of Boot Mode

- Alternative boot operation (see section 7.3.4 in JEDEC STANDARD DESD84-A441)**  
 This boot function is mandatory for device from v4.4 standard. After power-up or reset operation (either assertion of CMD0 with the argument of 0xF0F0F0F0 or hardware reset if it is enabled), if the host issues CMD0 with the argument of 0xFFFFF0FA after 74 clock cycles, before CMD1 is issued or the CMD line goes Low, the target recognizes that boot mode is being initiated and starts preparing boot data internally. The partition from which the host reads the boot data can be selected in advance using EXT\_CSD byte [179], bits [5:3].

The host can terminate boot mode by issuing CMD0 (Reset).

Figure 4 is the state diagram of alternative boot mode.



NOTE 1. CMD0 with argument 0xFFFFF0FA

Figure 4. State Diagram of Alternative Boot Mode

### 5.3.4. eMMC Boot in SL1680 Device

The SL1680 device supports alternative boot operation from the eMMC device (see Figure 5).

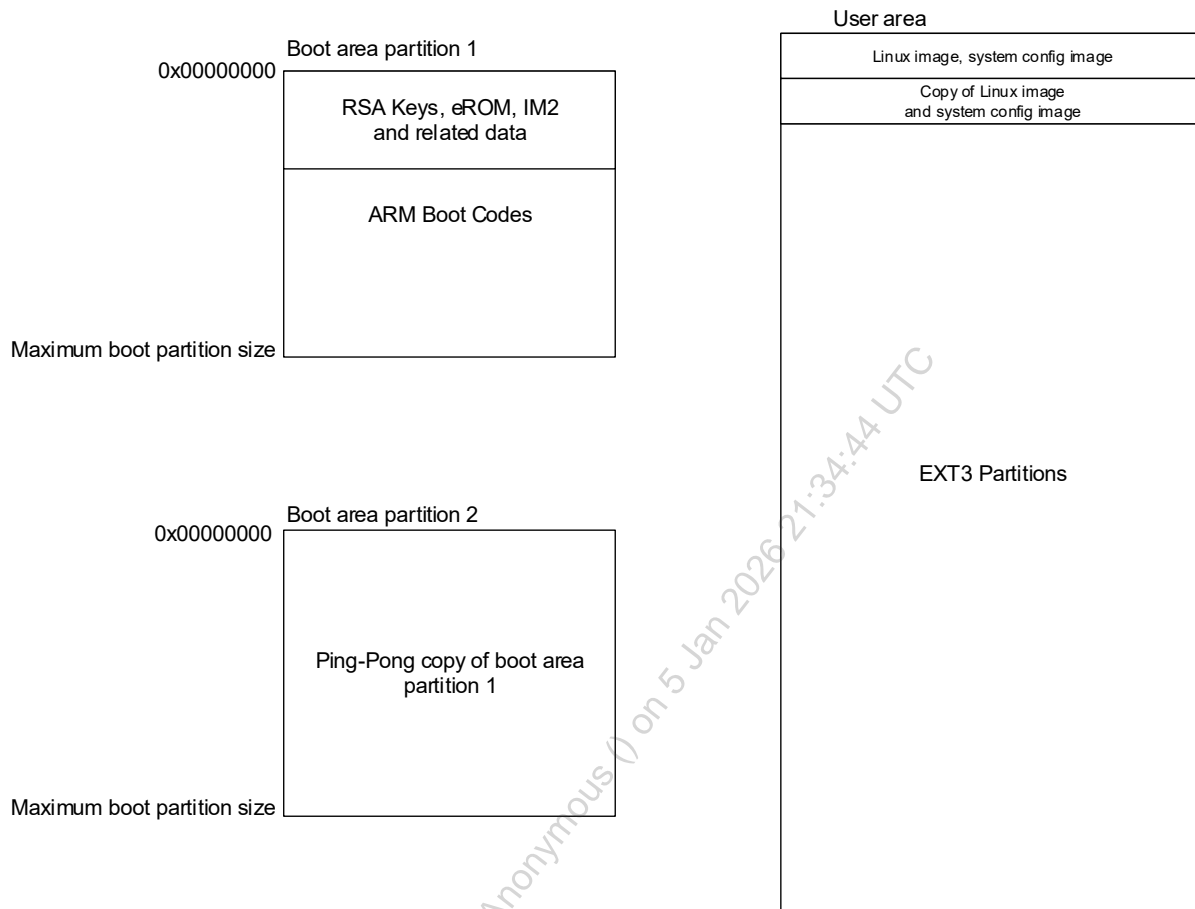


Figure 5. Layout of eMMC Device

Following are some inputs for the layout of eMMC boot:

- Two boot area partitions are defined as ping-pong copies; this ensures the system can boot if online upgrade fails.
- The iROM always tries to read eROM from the first boot area partition; if that attempt is not successful, the iROM reads eROM from the second boot area partition.

### 5.3.5. eMMC Boot Mode

The SL1680 device does not support the primary boot mode but supports alternative boot mode. Therefore, the SL1680 cannot support the eMMC device which is compliant only with eMMC standard version 4.4.

## 6. JTAG

### 6.1. Overview

The SL1680 device implements a standard IEEE 1149.1-compliant JTAG interface to support debugging of SOC\_CPU (ARM) through In-Circuit Emulation (ICE). Additionally, this JTAG interface is also used to control boundary scan (BSCAN) TAP controller, using which Memory Built-In Self Test (MBIST) and IJTAG paths are controlled.

### 6.2. JTAG Debug Port Configurations

Figure 1 shows SL1680 JTAG chain connections for both ICE debugger and BSCAN mode. Both the BSCAN TAP controller and the ICE debugger share the same JTAG interface. To support security control features, either CPU ICE debugger interface or boundary scan access is disabled during power up. JTAG access protection level is provided by the OTP.

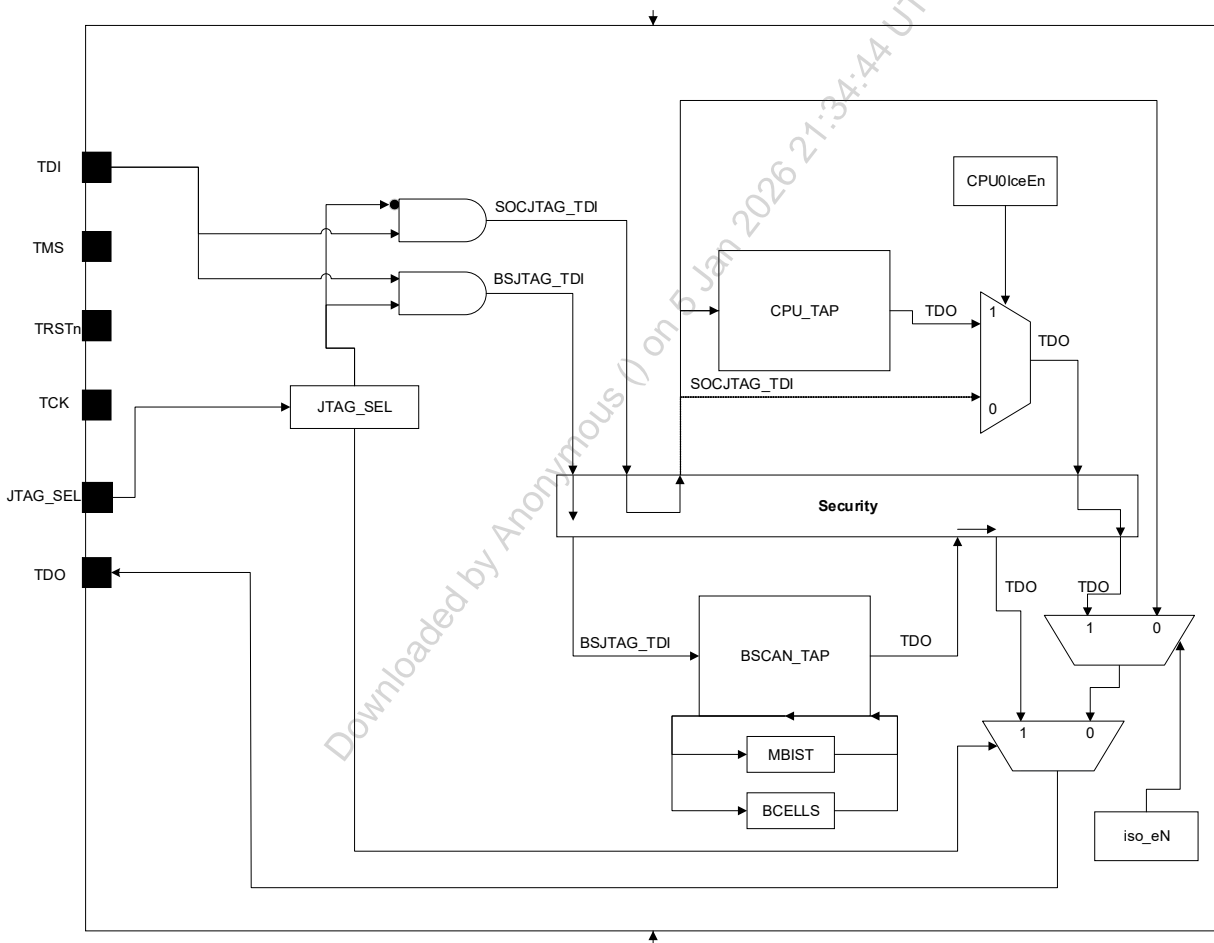


Figure 1. JTAG Chain and Boundary Scan diagram



JTAG\_SEL is used to select the BSCAN or ICE debugger path. JTAG\_SEL is from pad. For a secure ICE debugger, secure debug enable signal for the SOC\_CPU (drmCpu0IceEn) is generated by the security engine from siSS (BCM). Table 1 shows the different configurations of debug ports in the SL1680 device.

Table 1. SL1680 Debug Port Configuration

{JTAG_SEL, drmCpu0IceEn}	ENG_EN	iso_eN	BSCAN TAP	CPU TAP (CoreSight™)
0x	1	1	No	Yes
0x	1	0	No	No
1x	1	x	Yes	No
01	0	1	No	Yes
01	0	0	No	No
00	0	x	No	No
1x	0	x	Yes	No

Note: {JTAG\_SEL,drmCpu0IceEn}=1x, and ENG\_EN = 0, secure access over JTAG to BSCAN\_TAP is controlled by other means.

### 6.3. Boundary Scan Support

The SL1680 device supports the IEEE 1149.1-compliant boundary scan (BSCAN) interface. Table 2 is a list of instructions supported.

Table 2. SL1680 Supported Instructions

Instruction	Code
BYPASS	4'b1111
EXTEST	4'b0001
INTEST	4'b0100
SAMPLE/PRELOAD	4'b0101
IDCODE	4'b1100
HIGHZ	4'b0110
CLAMP	4'b0000
Reserved	All others

## 7. SoC Connectivity and Access Control

The main function of SoC subsystem is to link CPU and hardware engines with various targets, including DRAM, memory-mapped external Flash device, and an internal configuration bus. The destination of each transaction is decided solely on the transaction address. The SL1680 SoC subsystem handles 32-bit address space. Three targets are shared among the bus hosts, such as hardware DMA engines and CPUs. Simultaneous access to the same target from different hosts are arbitrated and sent to the addressed target in sequence. Accesses to different targets are independent and can be served concurrently. In addition to address-based routing, the SoC subsystem is also capable of protecting sensitive data content by rejecting untrusted transactions to DDR SDRAM or register spaces, including low-speed and fast-access registers.

Figure 1 shows the bus hosts and targets in the SL1680 device.

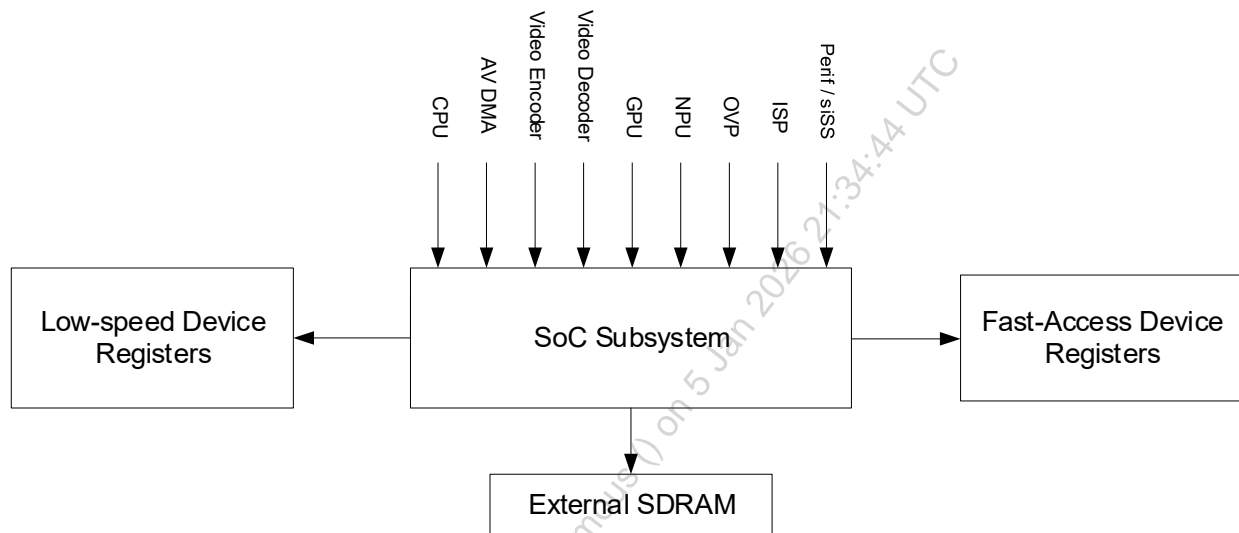


Figure 1. SL1680 Bus Hosts and Targets

## 7.1. Connection Table

There are three transaction target regions in SL1680:

- DDR SDRAM memory
  - System memory
- Low-speed registers
  - Normal device registers running at 100 MHz
- Fast-access registers
  - Latency-sensitive device registers running at system clock frequency

Possible hosts for these three targets are:

- CPU
  - Quad Arm CortexA73 core sub-system
- AV DMA
  - Direct-Memory Access engine fetching display video and audio output data and storing the video and audio input data.
- Peripheral DMAs
  - Direct Memory Access engines for storing received data or loading transmitted data through various interfaces including PCI-E®, USB, Ethernet, and SDIO.
- Security Island Sub-System DMA
  - BCM
  - TSP
- Video Decoder
- Video Encoder
- GPU Engine
  - Storing or fetching graphic data
- Neural Processing Unit
- Image Signal Processing Unit
- OVP
  - Offline Video Processing converts interlace video into progressive video. It works in a memory- to- memory fashion, which means both the input and output are stored in memories.

Table 1 shows the connection levels of various host and target pairs. *Full* means the host can access full range of target without constraint. *No Access* means there is no logical connection for the host/target pair.

Table 1. Host and Target Pair Connection Levels

Targets	DDR SDRAM	Fast-Access Registers	Low-Speed Registers
Hosts			
CPU	Full	Full	Full
AV DMA engine	Full	No Access	No Access
Perif DMA	Full	Full	Full
Security Island DMA	Full	Full	Full
Video Decoder	Full	No Access	No Access
Video Encoder	Full	No Access	No Access
OVP	Full	No Access	No Access
GPU	Full	No Access	No Access
NPU	Full	No Access	No Access
ISP	Full	No Access	No Access

### 7.1.1. Address Map

Table 2. System Memory Map

Address Range	Host CPU	TSP/BCM/USB/PCI-e /GE/eMMC/SDIO	All Other DMAs
0x0000000000 ~ 0x0DFFFFFFF	DDR (0~3.5GB)	DDR (0~3.5GB)	DDR (0~4GB)
0x0E00000000 ~ 0x0EFFFFFFF	PCI-e	PCI-e	
0x0F00000000 ~ 0x0F1FFFFFFF	SPI	SPI	
0x0F20000000 ~ 0x0FFFFFFF	Register	Register	
0x1000000000 ~ 0x1FFFFFFF	DDR (0~4GB)	N/A	N/A

Table 3. Low-Speed Register Memory Map

	Address Range in Hexadecimal	Size
SPI Flash	0xF000_0000 ~ 0xF3FF_FFFF	64MByte
CoreSight Registers	0xF680_0000 ~ 0xF6FF_FFFF	8MByte
Encoder Registers	0xF700_0000 ~ 0xF73F_FFFF	4MByte
AVIO Registers	0xF740_0000 ~ 0xF75F_FFFF	2MByte
OVP Registers	0xF78C_0000 ~ 0xF78C_FFFF	64KByte
Decoder Registers	0xF760_0000 ~ 0xF77F_FFFF	2MByte
GIC400 Registers	0xF790_0000 ~ 0xF790_FFFF	64KByte
CPU Registers	0xF792_0000 ~ 0xF792_FFFF	64KByte
BCM Registers	0xF793_0000 ~ 0xF793_FFFF	64KByte
MCtrl Sub-system Registers	0xF794_0000 ~ 0xF794_FFFF	64Kbyte
AHB Bus Monitor Registers	0xF796_0000 ~ 0xF796_FFFF	64Kbyte
USB3.0 Controller Registers	0xF7A2_0000 ~ 0xF7A2_FFFF	64Kbyte
GPU Registers	0xF798_0000 ~ 0xF79F_FFFF	512Kbytes
TSP Registers	0xF7A4_0000 ~ 0xF7A7_FFFF	256Kbyte
EMMC Registers	0xF7AA_0000 ~ 0xF7AA_FFFF	64Kbyte
SDIO3.0 Controller Registers	0xF7AB_0000 ~ 0xF7AB_FFFF	64Kbyte
PBRIDGE Registers	0xF7B3_0000 ~ 0xF7B3_FFFF	64Kbyte
MTEST Registers	0xF7B4_0000 ~ 0xF7B4_FFFF	64Kbyte
Gigabit Ethernet Registers	0xF7B6_0000 ~ 0xF7B6_FFFF	64Kbyte
NPU Registers	0xF7BC_0000 ~ 0xF7BF_FFFF	256Kbyte
USB2.0 OTG Controller Registers	0xF7C0_0000 ~ 0xF7C7_FFFF	512Kbyte
SoC Registers	0xF7CA_0000 ~ 0xF7CA_FFFF	64Kbyte
Memory Controller Registers	0xF7CB_0000 ~ 0xF7CB_FFFF	64Kbyte
TSI Registers	0xF7CC_0000 ~ 0xF7CF_FFFF	256Kbyte
USB3 Phy Registers	0xF7D0_0000 ~ 0xF7DF_FFFF	1MB
PCI-E Phy Registers	0xF7E4_0000 ~ 0xF7E4_FFFF	64Kbyte
ApbPerif Registers	0xF7E8_0000 ~ 0xF7E8_FFFF	64Kbyte
Chip Control Registers	0xF7EA_0000 ~ 0xF7EA_FFFF	64Kbyte
Pulse Width Modulator Registers	0xF7F2_0000 ~ 0xF7F2_FFFF	64Kbyte
System Manager Registers	0xF7F8_0000 ~ 0xF7FF_FFFF	512Kbyte
MC DFIO Control Registers	0xF800_0000 ~ 0xF87F_FFFF	8MB
MC DFII Control Registers	0xF880_0000 ~ 0xF8FF_FFFF	8MB
MPT Registers	0xF900_0000 ~ 0xF903_FFFF	256Kbyte
ISP Registers	0xF910_0000 ~ 0xF91F_FFFF	1MB

Table 4. Fast-Access Register Memory Map

	Address Range in Hexadecimal	Address Space Size
Boot-Vector	0xFFFF_0000 ~ 0xFFFF_FFFF	64 Kbyte

Downloaded by Anonymous () on 5 Jan 2026 21:34:44 UTC

## 8. DDR Memory Controller

### 8.1. Introduction

The SL1680 memory controller receives transactions from the SoC core. These transactions are queued internally and scheduled for “in-order” access to the SDRAM while satisfying the SDRAM protocol timing requirements, transaction priorities, and dependencies between the transactions. The memory controller in turn issues commands on the DFI interface to the PHY module, which launches and captures data to and from the SDRAM.

The SL1680 memory controller is designed for ARM AXI bus protocols. It has 5 generic ports for different hosts in the SoC. Along with built in arbitration schemes, it also acts as a bus fabric and reduces the size and latency of the AXI fabric.

### 8.2. Memory Controller Feature List

- DDR PHY Interface (DFI) support for easy integration with industry standard DFI 3.1-compliant PHYs
- Dual-Channel x32 Bus Width to DRAM
- LPDDR4 Support
- Direct software request control or programmable internal control for ZQ short calibration cycles
- Support for ZQ long calibration after self-refresh exit
- Dynamic scheduling to optimize bandwidth and latency
- Read and write buffers in fully associative CAMs, configurable in powers of two, from 16 up to 64 reads and 64 writes
- Delayed writes for optimum performance on SDRAM data bus
- For maximum SDRAM efficiency, commands are executed out-of-order:
  - Read requests accompanied by a unique token (tag) from HIF
  - Read data returned with token (tag) for SoC core to associate read data with correct read request
- Hardware configurable and software programmable Quality of Service (QoS) support:
  - For three traffic classes on read commands - high priority reads, variable priority reads, and low priority reads
  - For two traffic classes on write commands - normal priority writes and variable priority writes
  - For port urgent and port throttling control
- If QoS support is not configured in the hardware:
  - Two traffic classes on read commands - high priority reads and low priority reads
  - One traffic class on write commands - normal priority writes
- Programmable SDRAM parameters
- Configurable maximum SDRAM data-bus width (denoted as “full data-bus width” below)
- Programmable support for all the following SDRAM data-bus widths:
  - Full data-bus width or
  - Half of the full data-bus width
- Guaranteed coherency for write-after-read (WAR) and read-after-write (RAW) hazards
- Write combine to allow multiple writes to the same address to be combined into a single write to SDRAM; supported for same starting address
- Paging policy selectable by configuration registers as any of the following:
  - Leave pages open after accesses, or
  - lose page when there are no further accesses available in the controller for that page, or
  - Auto-precharge with each access, with an optimization for page-close mode which leaves the page open after a flush for read-write and write-read collision cases

- Supports automatic SDRAM power-down entry and exit caused by lack of transaction arrival for a programmable time
- Supports self-refresh entry and exit
- Support for dynamically changing clock frequency while in self-refresh
- Leverages out of order requests with CAM to maximize throughput
- APB interface for the memory controller software accessible registers
- Compatibility with the AMBA 4 AXI4 and AMBA 3 AXI protocols
- Read reorder buffer with reduced latency options

### 8.3. DDR Memory Controller Overview

The memory controller contains the following main architectural components:

- The AXI Port Interface (XPI) block: This block provides the interface to the application ports. It provides bus protocol handling, data buffering and reordering for read data, data bus size conversion (upsizing or downsizing), and memory burst address alignment. Read data is stored in a SRAM, read re-order buffer and returned in order, to the AXI ports. The SRAM may be instantiated as embedded memory external to the memory controller or implemented as flops within the memory controller
- The Port Arbiter (PA) block: This block provides latency sensitive, priority-based arbitration between the addresses issued by the XPIs (by the ports).
- The DDR Controller (DDRC) block: This block contains a logical CAM (Content Addressable Memory), which can be synthesized using standard cells. This holds information on the commands, which is used by the scheduling algorithms to optimally schedule commands to be sent to the PHY, based on priority, bank/rank status and DDR timing constraints. A bypass path is also provided
- The APB Register Block: This block contains the software accessible registers.

### 8.4. Functional Description

The memory controller performs the following functions:

- Accepts requests from the SoC core with system addresses and associated data for writes.
- Performs address mapping from system addresses to SDRAM addresses (rank, bank, bank group, row).
- Prioritizes requests to minimize the latency of reads (especially high priority reads) and maximize page hits.
- Ensures that the SDRAM is properly initialized.
- Ensures that all requests made to the SDRAM are legal (accounting for associated SDRAM constraints).
- Ensures that refreshes and other SDRAM and PHY maintenance requests are inserted as required.
- Controls when the SDRAM enters and exits the various power-saving modes appropriately.



## 8.5. DFI – DDR PHY Interface

### 8.5.1. Features

- Integrates DDRPHY IP
- Single channel and multiple ranks per DFI instantiation
- Supports LPDDR4
- Supports DFI3.1 and partial DFI4.0
  - Supports CA training, write leveling training, read gate training, read leveling
  - Automated hardware training for CA training, write leveling, read gate training and read leveling
  - Periodic training for write leveling and read gate training
- Supports 1:2 frequency ratio (PHY\_CLK = 4xMC\_CLK)
- Fully configurable address and data pinmuxing
- Supports x8, x16, x32
- Internal loopback engine for testing
- DBI generation and data inversion performed in the PHY

Downloaded by Anonymous () on 5 Jan 2026 21:34:44 UTC

### 8.5.2. DFI System Overview

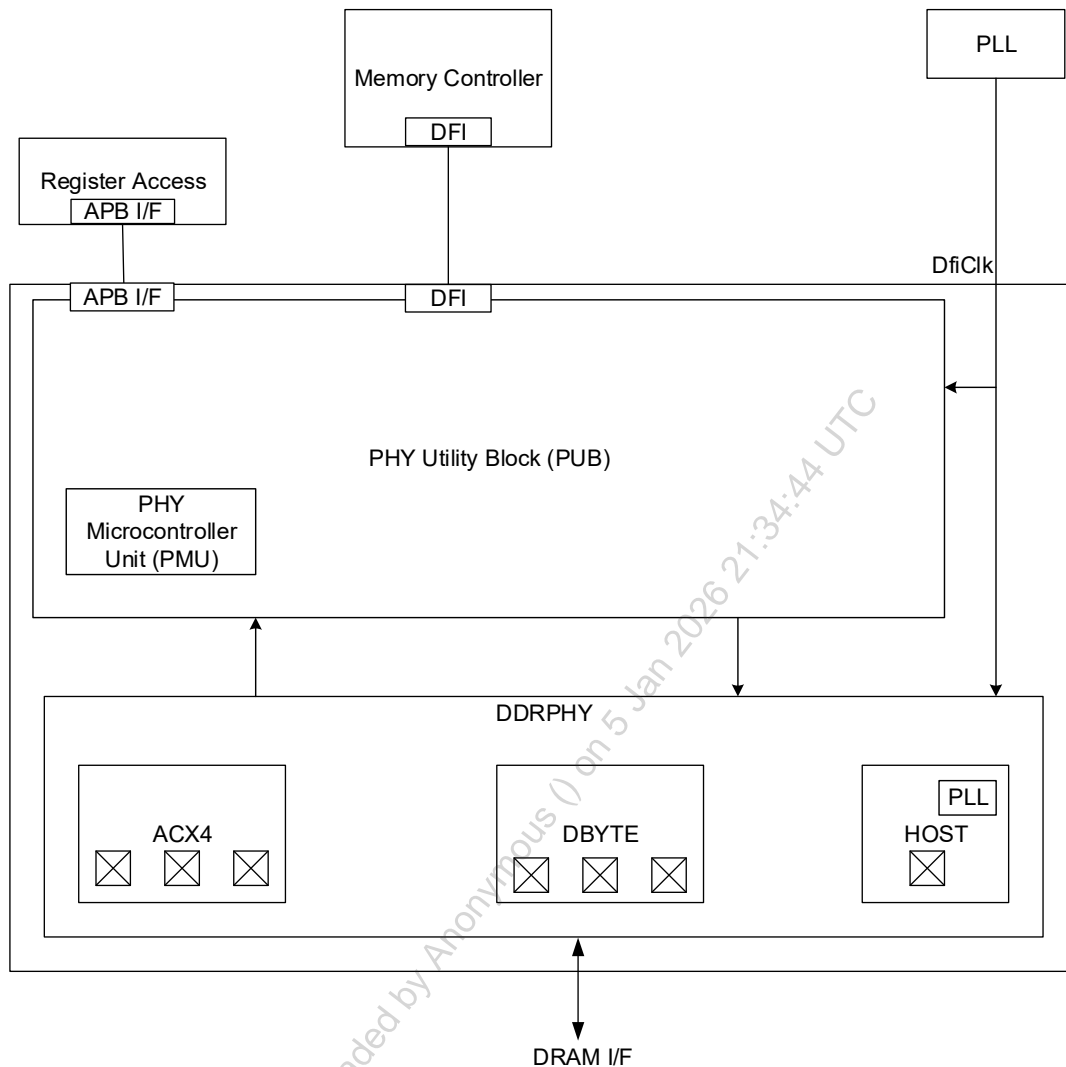


Figure 1. DFI System Block Diagram

- DFI System has DFI interface to communicate with Memory Controller
- DFI System converts the Addr/Cmd and Data from DFI protocol to DDRPHY protocol
- Handles Initialization and training
- Handles Frequency Change
- Provide test logic interface to control PHY inputs during test mode
- Loopback engine runs independent of memory controller. Generates PRBS data to PHY and then compares and stores any errors/mismatches

## 9. Digital Rights Management/Demultiplexer

### 9.1. Overview

Secure Island SubSystem (SISS) has the following main blocks:

- BCM
- TSP
- Kilopass OTP

### 9.2. BCM

#### 9.2.1. Feature List

The BCM unit can be instantiated either in FIPS 140-2/3 compliant mode, or in Non-FIPS (accelerator-only) mode. The FIPS mode uses a Hardware-Root-Of-Trust authorization scheme for authenticating the use of keys and provides the basis for secure, trusted operations. The FIPS mode contains intelligence in the form of firmware and behavior documented here. The Non-FIPS mode permits access to the crypto engines to accelerate cryptographic algorithms, but no key management or implication of trust is provided. Switching from FIPS to Non-FIPS mode requires no-overlapping internal plaintext BCM key structures. In addition to a slightly different memory map, the functionality provided by the trusted firmware within the FIPS mode of the BCM must be provided by a software stack exterior to the BCM, which is the BCM Client.

The BCM primitive instructions perform the following types of security operations:

- Key authorization, loading and wrapping
- Symmetric encryption and decryption
- Asymmetric encryption and decryption
- Digital Signature signing / verification
- Hashing and HMAC verification of messages
- High-quality random number generation
- Reading and writing of One-time Programmable (OTP) memory cells

#### 9.2.2. Configuration Options

The BCM allows for several interface configuration options:

- The target interface can be either a 64-bit AXI interface or a 32-bit AHB interface.
- The host interface can be either a 64-bit AXI interface or a 64-bit read/32-bit write AHB interface.
- The debug port can be either a DAP interface or a JTAG interface.

#### 9.2.3. Block Diagram

The BCM interface is made up mostly of two AXI interfaces. The AXI Host interface belongs to the DMA engine that moves bulk data in and out of DMA from the system memory area. The AXI Target interface belongs to the AXI2APB module, which is the agent for the main CPU to communicate with the BCM.

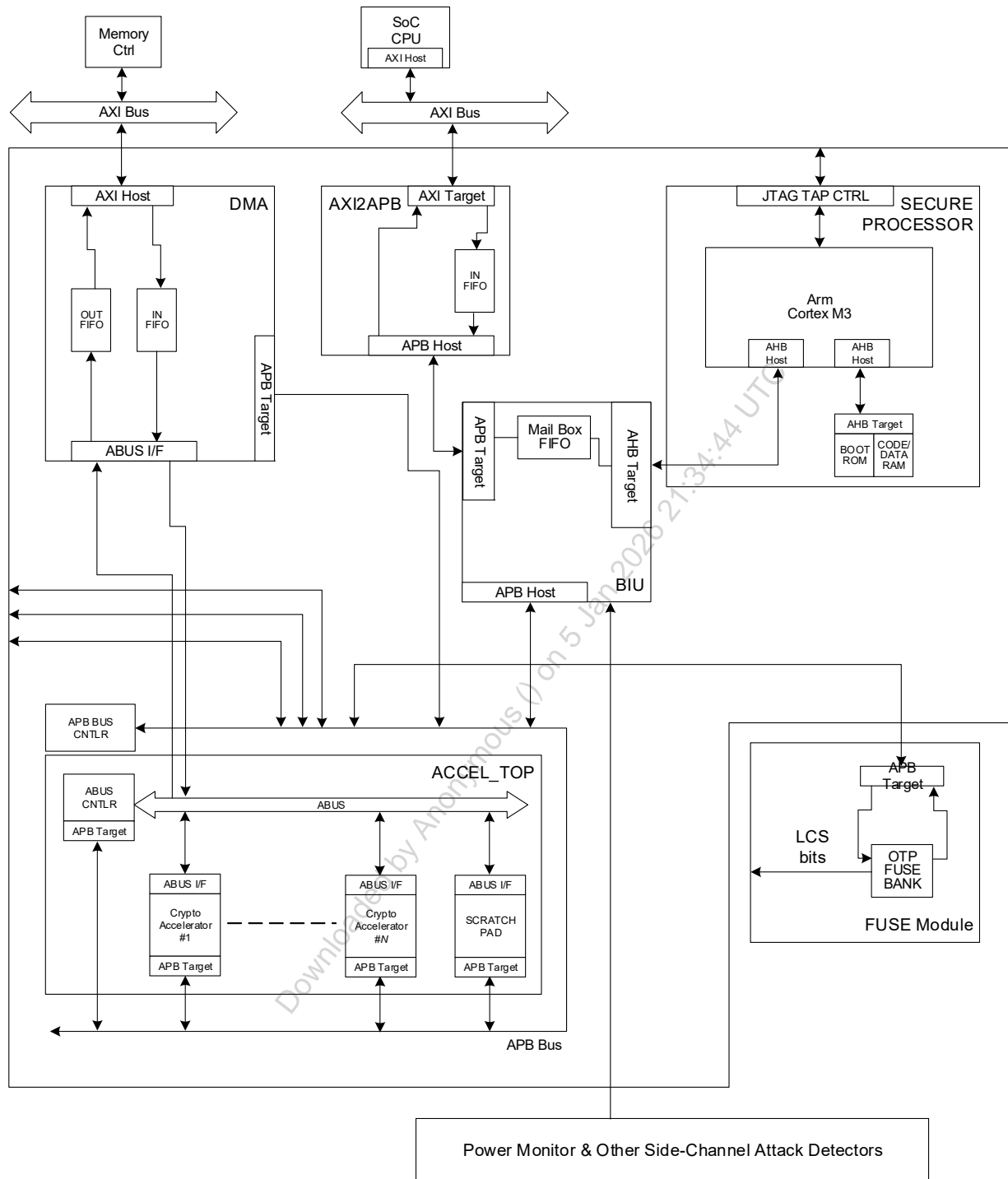


Figure 1. BCM Block Diagram

### 9.3. TSP

For more information, see [Section 10., Transport Stream Processor.](#)

### 9.4. Kilopass OTP

Functions included in this core are:

- 16K bits OTP
- Un-programmed value of OTP bit is zero, programmed value is zero/one
- Double redundancy, each OTP bit is internally implemented with two cells, as long as one of the cells can be successfully programmed, output of the OTP bit = 1
- Built-in charge pump to provide programming power
- Built-in programming sequencer with (SMART programming algorithm)
- Synchronous OCP interface (x16 bit for read, x1 bit for program)
- Simplified interface for reading, programming and manufacturing test operations
- BIST (built-in self test) to cover:
  - o Bit and word line integrity (TESTDEC) of memory array
  - o Gate oxide integrity (Blank Check) of memory array
  - o Test programming (WRTEST) of spare memory
  - o Map failing Blank Check bits for 100% Blank Check manufacturing yield

The Kilopass OTP provides a synchronous, 16-bit-wide read-bus interface reading and a synchronous, 1-bit wide bus interface for programming. The Kilopass OTP data sheet defines the signals and protocol of these interfaces.

## 10. Transport Stream Processor

### 10.1. Overview

The transport stream processor (TSP) in SL1680 is designed for streaming and personal video recording (PVR) applications. It can capture, de-multiplex, descramble multiple transport streams (TS) from different tuners, and output the elementary streams (ES) ready for decoding into different buffers in DDR. It can also generate re-scrambled partial transport streams for recording on a hard disc and play back the data being saved earlier.

TSP is based on Synaptics FIGO RISC processors and several functional hardware blocks. FIGO controls the main data flow, de-multiplex the TS, parses the ES, manages all the input/output/intermediary buffers and drives the hardware blocks. With different preloaded FIGO macrocode, TSP can support different applications. The hardware blocks exchange data with FIGO through the DTCM. TSI captures the incoming transport streams and saves the TS packets (after PID filtering) into DTCM. TSO reads data from DTCM and send it to the transport stream output. Section Filter helps find useful information from the PSI. Crypto engine provides hardware support for the descrambling and scrambling functions. Sync word detection (SWD) searches for sync word in the elementary streams.

TSP consists of two symmetric FIGO processors. Each FIGO has its own ITCM, DTCM, data streamer and HBO. All the other hardware blocks (Crypto Engine, SWD, section filter TSIs and TSOs) are shared between these two FIGOs.

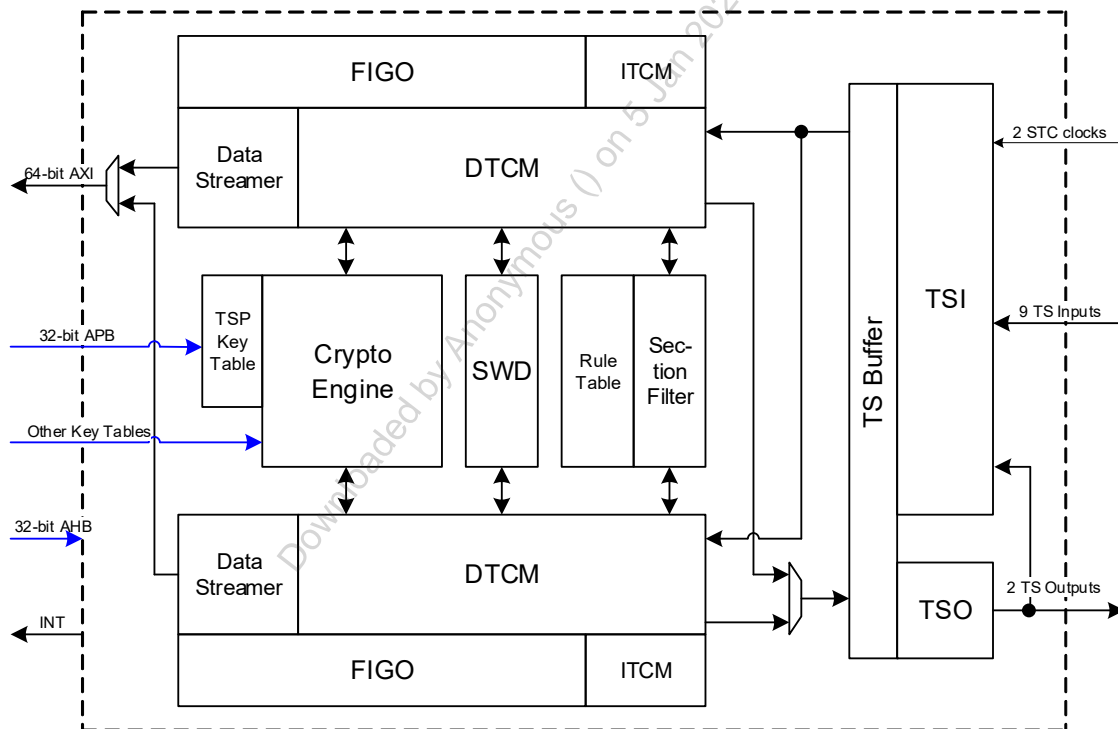


Figure 1. TSP Block Diagram

### 10.1.1. Standards

- ISO/IEC 13818-1 MPEG2 Systems MPEG2 transport stream
- DVB
- ATSC
- ARIB
- OpenCable
- WMDRM

### 10.1.2. Functionalities

- Transport stream input buffering
- STC capturing
- PID filtering
- Transport stream de-multiplexing
- TS packet descrambling
- Section filtering
- PES parsing
- ES indexing
- TS packet re-scrambling
- Transport stream output

### 10.1.3. Interfaces

- Eight serial transport stream input interfaces
- 32-bit AHB target interface for register accessing
- 64-bit AXI host interface for DMA
- 32-bit APB target interface for key table programming
- Two different reference clocks for STC capturing
- Interrupts to Host processor

Downloaded by Anonymous on Jan 2026 21:34:44 UTC

## 10.2. Function Description

### 10.2.1. FIGO System

TSP consists of two symmetric FIGO processors.

#### 10.2.1.1. ITCM

Each FIGO has 16K instruction ITCM.

#### 10.2.1.2. DTCM

Each FIGO has 32KB DTCM.

#### 10.2.1.3. Data Streamer

Data streamer is the bridge between FIGO DTCM and FIGO AXI host interface. Each FIFO has its own data streamer and its own AXI host interface. The two AXI interfaces are multiplexed into one in TSP top level.

#### 10.2.1.4. HBO FIFO Mapping

HBO provides FIFO interfaces between hardware blocks and DTCM. Each hardware block exchanges data with FIGO through one or more HBO FIFOs. Each FIFO has its own HBO and the two FIGO shares the same HBO configuration. [Table 1](#) shows the list of HBO FIFOs of one FIGO.

Table 1. TSP\_HBO\_FIFO\_ID

FIFO Name	FIFO ID	Direction	Consumer/ Producer	Description
DS_CMD	0	From DTCM	Data streamer	Used by data streamer to load commands from DTCM
TSIO_PKT	1	To DTCM	TSIO	Used by TSIO to save TS packets into DTCM
TSI1_PKT	2	To DTCM	TSI1	Used by TSI1 to save TS packets into DTCM
TSI2_PKT	3	To DTCM	TSI2	Used by TSI2 to save TS packets into DTCM
TSI3_PKT	4	To DTCM	TSI3	Used by TSI3 to save TS packets into DTCM
TSI4_PKT	5	To DTCM	TSI4	Used by TSI4 to save TS packets into DTCM
TSO0_PKT	6	From DTCM	TSO0	Used by TSO0 to load TS packets from DTCM
TSO1_PKT	7	From DTCM	TSO1	Used by TSO1 to load TS packets from DTCM
SF_INPUT	8	From DTCM	Section filter	Used by data section filter to load input data from DTCM
SF_OUTPUT	9	To DTCM	Section filter	Used by data section filter to save output data into DTCM
CRYPTO_CMD	10	From DTCM	Crypto engine	Used by Crypto engine to load commands queue 0 from DTCM
CRYPTO_CMD_1	11	From DTCM	Crypto engine	Used by Crypto engine to load commands queue 1 from DTCM
CRYPTO_CMD_2	12	From DTCM	Crypto engine	Used by Crypto engine to load commands queue 2 from DTCM
TSI5_PKT	13	To DTCM	TSI5	Used by TSI5 to save TS packets into DTCM
TSI6_PKT	14	To DTCM	TSI6	Used by TSI6 to save TS packets into DTCM
TSI7_PKT	15	To DTCM	TSI7	Used by TSI7 to save TS packets into DTCM



Table 1. TSP\_HBO\_FIFO\_ID (Continued)

FIFO Name	FIFO ID	Direction	Consumer/ Producer	Description
TSI8_PKT	16	To DTCM	TSI8	Used by TSI8 to save TS packets into DTCM
SWID_CMD	17	From DTCM	Sync Word Detection	Used by sync word detection to load command from DTCM
SWD_RETURN	18	To DTCM	Sync Word Detection	Used by sync word detection to write return data into DTCM
TSI9_PKT	19	To DTCM	TSI9	Used by TSI8 to save TS packets into DTCM
TSI10_PKT	20	To DTCM	TSI10	Used by TSI8 to save TS packets into DTCM
TSI11_PKT	21	To DTCM	TSI11	Used by TSI8 to save TS packets into DTCM
TSI12_PKT	22	To DTCM	TSI12	Used by TSI8 to save TS packets into DTCM

#### 10.2.1.5. Hardware Accelerators Sharing Between FIGOs

Crypto Engine and section filter are shared by the two FIGOs dynamically. Each FIGO can send commands to these accelerators through its own HBO FIFO independently from the other FIGO. Each accelerator can obtain commands from HBO FIFOs of both FIGO. If both FIGOs send commands to the same accelerator at the same time, the accelerator serves one of them and then the other. The arbitration performed dynamically in hardware is transparent to FIGO firmware.

There are two SWDs in TSP, one for each FIGO. Both of the FIGOs use their own SWD without interfering with each other.

#### 10.2.1.6. TS Input/Output Sharing Between FIGOs

Each TS port (input or output) is connected to an HBO FIFO of one of the FIGOs. The connection is statically configured through registers. FIGO must set up the registers before it enables the TS port. Once started, FIGO should not change the connection until it stops the TS port and flushes all the pipeline.

## 10.2.2. Transport Stream Input (TSI)

The TSI module has the following functions:

- Interface synchronization
- Sync byte detection
- Error detection for incomplete packet and wrong sync byte value
- PID filtering
- Incoming packet time stamping with local STC counter for video output clock tracking
- Generate packet information include captured STC, PID filter result, and error flags
- Pack packet data together with packet information and send into HBO FIFO

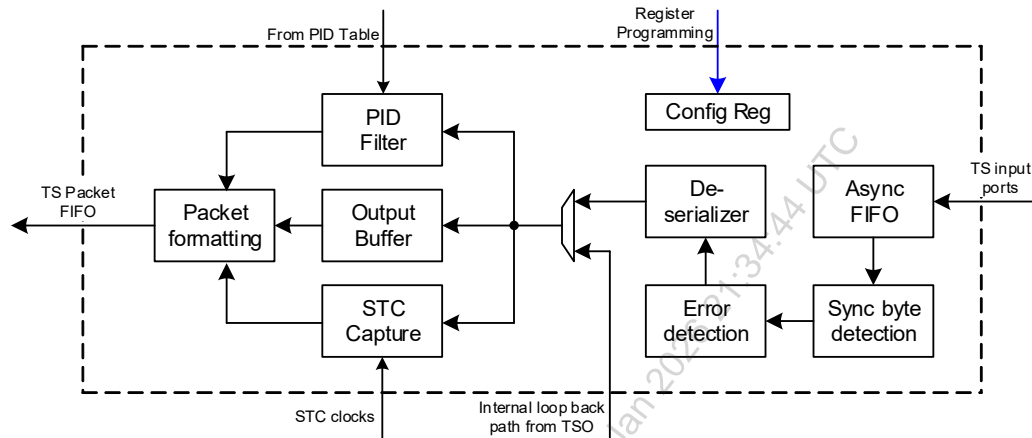


Figure 2. TSI Block Diagram

### 10.2.2.1. Operation Model

After power on, TSI remains in reset mode. Firmware must program the configuration registers and the PID table. After that, it can start TSI by clearing the reset register.

Once started, TSI keeps on pushing the packets received from either TS ports or TSO to TSI loopback path into the TS packet FIFO. Firmware must read packets from the FIFO. In loopback mode, the data integrity is guaranteed by hardware. The entire data path can become stalled if the TS packet FIFO is full. If the TS packets are arriving from the TS ports, hardware cannot guarantee the data integrity. Firmware should avoid the TS packet FIFO being full and be ready to handle the situation once it does happen. For further details, refer to [Section 10.2.2.9, Output Buffer and Overflow Handling](#).

Firmware can stop TSI by set the reset register to one at any time. All the internal pipelines will be cleared, and all hardware states will go to idle immediately. Stopping TSI through the reset register does not affect other configuration registers. Old value will be kept, and firmware can set new value to them when TSI is stopped. It is possible that there are partial TS packets left in the TS packet FIFO. Firmware needs to flush the TS packet FIFO before restart TSI.

Firmware can restart TSI by clearing the reset register.

### 10.2.2.2. Input/Output Packet Format

Structure of the input packet from the TS ports can be different from that of the TS packet saved into the TS packet FIFO. Firmware can set the preferred offset and size of the packet body in the input packet. The packet body is transferred into the TS packet FIFO. TSI appends 8-byte TSI packet info at the end of the output packet. Firmware can set the total size (must be a multiple of 8) of the packet in the TS packet FIFO. Padding bytes are inserted between the packet body and packet info to make the packet size match. Position of the sync byte is not necessarily at the beginning of the input TS packet. Firmware can configure the sync byte position relative to the start of the packet. This parameter is independent from the packet body offset.

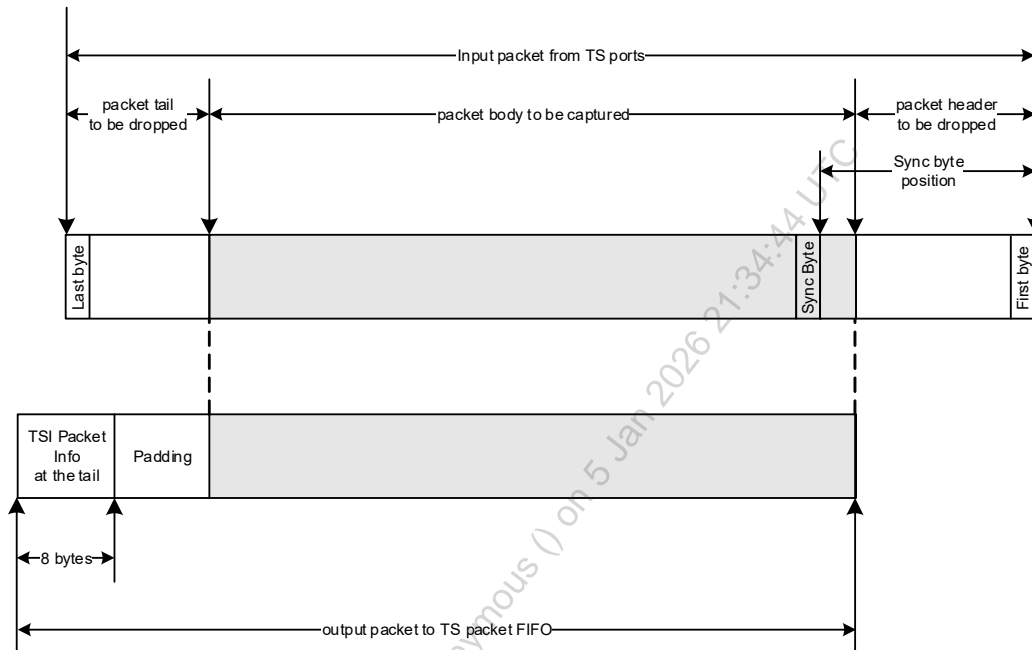


Figure 3. Input/Output packet format

### 10.2.2.3. TSI Packet Info Structure

The TSI packet info appended at the output packet tail includes a 42-bit STC value, some error flags, and an 8-bit pid\_id. The pid\_id is set by firmware for each entry of the PID Table. TSI copies the pid\_id of the matching entry into packet info. Should firmware need additional pre-configured parameters associated with a certain PID, it builds up another table in the DTCM and looks up the table with the pid\_id from the TSI packet information.

Table 2. TSI Packet Information Entry Definitions

Word Offset	Word ID	Type	Bits	Bit Field - Enums	Reset - Access	Array
\$INTERFACE	TspTsiPktInfo	module				
		%unsigned	32	stc_lower		
		%unsigned	10	stc_upper		
			*	Value of the captured STC counter value		
		%unsigned	6	reserved_0		
		%unsigned	8	pid_id		
			*	Copied from pid_id field of the matching entry in the PID table		
		%unsigned	1	reserved_1		
		%unsigned	1	error_async_fifo		
			*	Asynchronous FIFO error. This bit indicates that there is hardware errors related to TSI interface timing.		
		%unsigned	1	error_on_port		
			*	Port tsError is asserted for this packet.		
		%unsigned	1	error_sync_byte		
			*	Sync byte of the packet does not match the defined value.		
		%unsigned	1	error_under_sized		
			*	The packet from TS ports does not content enough bytes as defined.		
		%unsigned	1	error_data_dropped		
			*	TS data are dropped before this packet because of broken packet structure.		
		%unsigned	1	error_data_lost		

Table 2. TSI Packet Information Entry Definitions (Continued)

Word Offset	Word ID	Type	Bits	Bit Field – Enums	Reset – Access	Array
			*	Overflow happened during the capturing of this packet and some bytes are lost and stuffed with zeros.		
		%unsigned	1	error_packet_dropped		
			*	Overflow happened before the capturing of this packet and some packets are entirely dropped.		
\$ENDOFINTERFACE						

#### 10.2.2.4. Clocks and Synchronization

The stream processing logics in TSI work in two independent clock domains: the TS input clock and the TSP core clock.

The input TS control and data signals are sampled with either the rising edge or the falling edge (programmable) of the TS input clock: The sampled signals are synchronized into TSP core clock domain through asynchronous FIFO. All other logics work in the TSP core clock domain.

Any relationship between clocks must meet these constraints:

- In serial mode, the TSP core clock must be no slower than the TS input clock.
- In parallel mode, the TSP core clock must be no slower than 8 times the TS input clock.

#### 10.2.2.5. Packet Boundary Generation and Sync Byte Detection

Depending on the availability and meaning of tsSync and tsValid signals, the boundary between TS packets can be generated in four modes.

- Mode 0 is used when tsSync is available and it indicates the start of a packet.
- Mode 1 is used when tsSync is available and it indicates the sync byte of a packet.
- Mode 2 is used when tsSync is not available and transition of tsValid from inactive to active can be used to indicate the start of a packet
- Mode 3 is used when no TS control signal can indicate either the sync byte or the start of a packet, and the internal sync byte detection logic is activated.

When the internal sync byte detection is enabled, it matches the incoming stream with the specified sync byte value. Once a match is found, it marks that byte as sync byte and skips matching for all the next n bytes, where n is the input packet size minus one. After that, it starts matching for the next sync byte. In parallel mode, sync byte value is compared with every valid incoming byte, while in serial mode comparison occurs at every valid bit position.

When the sync byte always starts at the first cycle after tsValid change from inactive to active, the detection logic can be programmed to only match at those boundaries instead of at every point. Turning on this option may increase the accuracy of the searching, but the detection logic still works without it.

In serial mode, TSI can handle both MSB first mode and LSB first mode.

### 10.2.2.6. Error Detection and Error Handling

The error detection block checks every packet received for errors. The errors it checks include oversized packet, undersized packet, and wrong sync-byte value.

Oversized errors occur when there are additional bits between two sync bytes. In this case, TSI drops all additional bits and set the `error_data_dropped` flag in the packet info of the second packet.

Undersized errors occur when there are not sufficient bits between two sync bytes. In this case, TSI combines the two TS packets into one and sets the `error_under_sized` flag in the packet info.

Wrong sync-byte error occurs when the sync byte of a TS packet is different from the value set by firmware. TSI sets the `error_sync_byte` flag in packet info but does not change the packet itself. When multiple errors occur for the same packet, all the error flags are set.

### 10.2.2.7. De-serialization

All the blocks before the de-sterilization block work in bit-stream mode. This block converts the bit stream into byte stream. The input of this block is error free, guaranteed by the error-detection block. The start of packet is clearly signified, and the packet size is always the same as specified. Every eight consecutive bits received are put onto the 8-bit wide output bus. If the input stream is LSB first, the bits are swapped before output.

### 10.2.2.8. PID Filter

For each incoming TS packet, PID filter compares its PID and/or LTSID (if available) with all the valid entries in the PID table in order. Once it matches an entry, PID filter stops matching and saves the `pid_id` of the matching entry into packet info. The packet is saved together with the packet info into the TS packet FIFO. If it does not match with any entry, the packet is dropped.

Each TSI has its own PID table, but all the PID tables share the same physical RAM. In each TSI, a register communicates the starting address (physical address of the RAM) of its PID table. Once it receives a new TS packet, PID filter reads the first entry from that address.

In each entry of the PID table, there is a last bit and a next field. The last bit informs the PID filter to finish, and the next field tells PID filter the address of the next entry. PID filter goes through the entire PID table following the next field until it reaches an entry with the last bit set to one. Firmware must set up the PID table before starting a TSI, but it can add/remove entries on the fly without stopping the TSI. The PID RAM sharing between different TSIs is also flexible.

Firmware can re-allocate RAM entries between TSIs without stopping any of them. The only constraint is that the total entries of all the PID tables cannot exceed 256. The limitation is a result of the physical size of the RAM; therefore, it is very easy to expand. Each entry of the PID table (Table 3) is mapped into two 32-bit words and firmware accesses them through the register programming interface.

Table 3 lists the definition of each PID table entry.

Table 3. PID Table Entry Definitions (Sheet 1 of 3)

Word Offset	Word ID	Type	Bits	Bit Field - Enums	Reset - Access	Array
\$INTERFACE	TspPidTbl	module				
		%unsigned	1	last		
			*	0: jump to next entry of PID table after finishing this one. 1: this is the last entry of the PID table		

Table 3. PID Table Entry Definitions (Sheet 2 of 3)

Word Offset	Word ID	Type	Bits	Bit Field - Enums	Reset - Access	Array
		%unsigned	1	match_enable		
			*	<p>0: Disable matching; this entry will not match any packet. Last and next field are still valid, PID filter will go to next entry if last bit is not set.</p> <p>1: Enable pid and/or ltsid matching for this entry.</p>		
		%unsigned	1	match_ltsid		
		%unsigned	1	match_pid		
			*	<p>When match_ltsid is one and match_pid is zero, all packets with matching LTSID will be captured, regardless of their PID value.</p> <p>When match_ltsid is zero and match_pid is one, all packets with matching PID will be captured, regardless of their LTSID value.</p> <p>When both match_ltsid and match_pid are one, only packets that match both ltsid and pid will be captured.</p> <p>When both match_ltsid and match_pid are zero, all packets will be captured regardless of their PID and LTSID value.</p>		
		%unsigned	1	stc_select		
			*	<p>0: capture STC counter driven by stcClk0</p> <p>1: capture STC counter driven by stcClk1</p>		
		%unsigned	3	reserved_0		
		%unsigned	8	ltsid		
			*	ltsid value		
		%unsigned	13	pid		
			*	PID value		
		%unsigned	3	reserved_1		

Table 3. PID Table Entry Definitions (Sheet 3 of 3)

Word Offset	Word ID	Type	Bits	Bit Field - Enums	Reset - Access	Array
		%unsigned	8	next		
			*	Address of the next PID table entry		
		%unsigned	8	pid_id		
			*	In case a packet match with this entry, TSI will save the value in this field into the packet info.		
		%unsigned	16	reserved_2		
\$ENDOFINTERFACE						

### 10.2.2.9. Output Buffer and Overflow Handling

This output buffer serves three major functions: (1) buffering all the bytes in front of the PID, (2) matching the latency of the PID filter, and (3) tolerating the jitter on the TS packet FIFO interface. The depth of this buffer is designed to meet the requirements of these three functions. Therefore, as long as the TS packet FIFO in the HBO is not full, this buffer never overflows.

An overflow of this buffer indicates that the speed of the de-multiplexing cannot catch up with the TS input speed. This error is a critical one and firmware must to avoid it, even by dropping less important packets voluntarily on the TS packet FIFO consuming side. Should overflow occur, an `error_data_lost` flag and/or `error_packet_dropped` flag is set in the packet info. The format of TS packet is maintained, but the payload of the packet may be corrupted.

### 10.2.2.10. STC Time Stamping

There are two 42-bit STC counters driven by two independent STC clocks. Upon receiving the first byte of a TS packet, TSI captures the value of one of the STC counters and saves it into the packet info. Firmware can select different counters for packets with different PID. In each entry of the PID table, the `stc_select` bit specifies the STC counter to be used for the corresponding PID.

### 10.2.2.11. Internal Loopback from TSO to TSI

A pair of TSI and TSO can be used together to form a loopback path from one TS packet FIFO to another. The purpose of this option is to use the PID filter inside TSI.

To set up such a path, firmware programs all related registers in TSI and TSO, sets TSI to work in loopback mode, releases the TSI reset and then releases the TSO reset. After that, firmware can push TS packets into the FIFO connected to TSO and read out from the FIFO on TSI the side.

To break the loopback, firmware stops pushing packets to TSO, continues reading from TSI until it receives all the packets, sets the TSO reset and sets the TSI reset.

Most of the front-end logic is not used in loopback mode, so only part of the registers must be programmed. Those include `packet_format` and global registers on the TSO side and `packet_format`, `pid_filter` and global registers on the TSI side.

Two such loopback paths are provided in TSP, from TSO0 to TSI0 and from TSO1 to TSI1. When a loop back path is set up, the related TSI and TSO ports can no longer be used.



### 10.2.3. Transport Stream Output (TSO)

The TSO block reads TS packets from the DTCM through the HBO FIFO interface, strips the optional header padding and/or tail padding, generates the TS SYNC signal, synchronizes the byte stream into TS clock domain, serializes (in serial mode), and sends the data to the TS output ports.

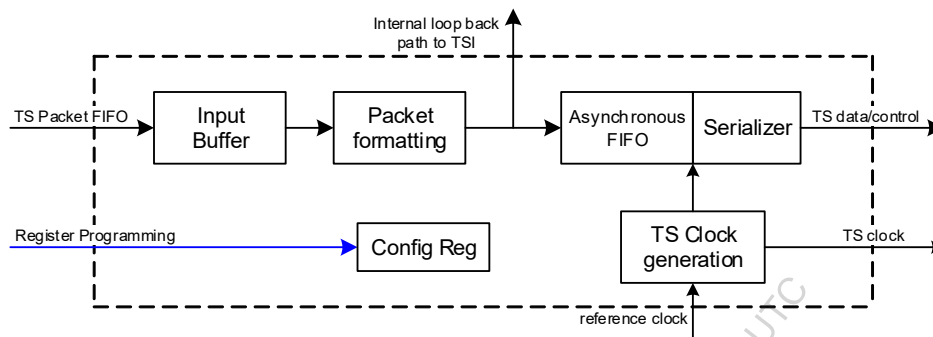


Figure 4. Transport Stream Output (TSO) Flow

#### 10.2.3.1. Operation Model

After power on, TSO remains in reset mode. Firmware must program the configuration registers and then start TSO by clearing the reset register.

During run time, firmware must only push packets into the FIFO. To keep the integrity of the TS packet on the output ports, firmware pushes data into the TS packet FIFO packet-by-packet instead of beat-by-beat. It is possible that the FIFO goes empty. Once that occurs, there are *bubbles* between TS packets on TS output ports (tsoValid is 0).

Firmware can stop TSO by setting the reset register to one. The value of the reset register does not affect other configuration registers. The old value will be kept and firmware can set a new value to them. Synaptics suggests that firmware follow these steps to stop TSO cleanly:

1. Stop pushing packet into TS packet FIFO.
2. Wait until TS packet FIFO is empty.
3. Wait until TSO status registers indicate that internal pipeline is cleared.
4. Set the reset register to one.

If firmware resets the TSO in the middle of transferring, partial TS packets may be observed on the TS output port and there may be unfinished data remaining in the TS packet FIFO. Firmware must flush the TS packet FIFO before restarting TSO.

Firmware can restart TSO by clearing the reset register.

#### 10.2.3.2. Input Buffer

This 32-byte local buffer is used to reduce the impact of jitters on the TS packet FIFO interface. TSO starts transferring a packet only after this buffer is full to improve the consecutiveness of data transferring on the TS output ports within a packet.

### 10.2.3.3. TS Packet Format

The TS packet from the TS packet FIFO can be different from the TS packet sent out through TS ports. There can be optional header padding and tail padding. The size of TS packet in DTCM must be a multiple of eight. The size of padding and output packet can be any number. TSO Sync signal is generated for the first byte of the output packet.

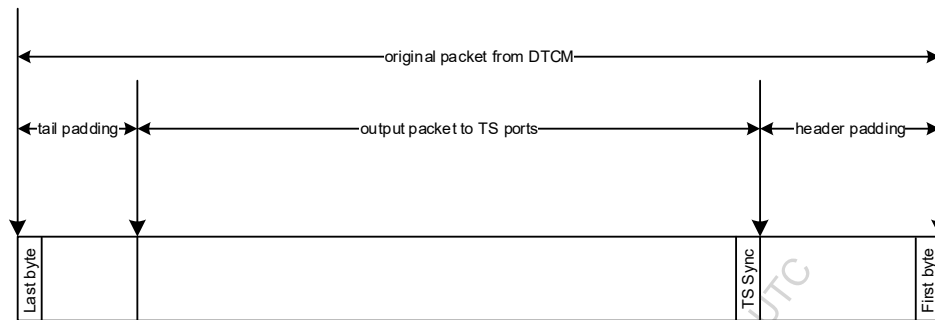


Figure 5. TS Packet Format

### 10.2.3.4. TS Clock Generation

The TS output clock is generated from the TS reference clock with a programmable clock divider. Available divisors are 1, 2, 3, 4, 5 ..., 254, 255 and 256. When the divisor is an odd number, the duty cycle is  $(n-1)/(n+1)$ . The output data/control signals are synchronized to either positive edge or negative edge (configurable through register) of the TS output clock. For an invalid byte, the TS clock can be optionally gated.

## 10.2.4. Section Filter

The hardware section filter is designed to offload the CPU from searching and matching section table headers in the transport streams. Up to 128 section filter rules can be programmed by software. The section filter hardware matches the incoming section data headers against these filter rules one by one. If a match is found the section filter copies the input data to the output FIFO, with the matched section ID field updated with the filtering result. If no match is found, the input data is ignored. When the output FIFO reaches to a preprogrammed threshold, an interrupt is generated to the CPU.

Each of the individual section filter rules support up to a 32-bit range filtering or 1-to-256-bit exact pattern match filtering. Simple filtering rules can be cascaded to build rules that are more complicated.

### 10.2.4.1. Input and Output Packet Format

The input to data to section filters include section filter commands, the output data are section filter events packets. The input/ output data is from 64-bit wide FIFO, they can be read by the CPU through 32-bit register access. The depth of the command and event FIFO can be configured during initialization, by default they are all 16 entries. Each entry is 8 bytes. The command and event packets share the same format, with the only difference being in event packets the match bit and filter ID field are updated.

The total size of packet is 5 x 64 bits. The first 64-bit control word and the next 4 x 64 bits are section- header data to be matched.

The control word includes the following information:

- 13-bit PID
- 3-bit TS port ID
- 8-bit Table ID
- 1-bit match result
- 7-bit matched section filter ID

Each of the section filter rules can be configured to match PID, TS port ID, and Table ID first before searching through the section headers.

Table 4. Section Command Entry Definitions

Word Offset	Word ID	Type	Bits	Bit Field - Enums	Reset - Access	Array
\$INTERFACE	TspSecCmd	module				
@		%unsigned	13	PID	0	
		%unsigned	3	TSID	0	
		%unsigned	8	TID	0	
		%unsigned	1	MATCH	0	
			*	Not used in TSC, will be set by section filter		
		%unsigned	7	FLTID	0	
			*	Indicates the ID of matched section filter ID		
\$ENDOFINTERFACE						

The second part of the input data is the section data, the length of the input data is 4 x 8 bytes, the earlier FIFO entry contains the earlier bytes received in a packet, and the sequence of all the bytes in one FIFO entry is as follows:

- `fifoEntry0 = {packetB7, ... packetB0};`
- `fifoEntry0 = {packetB15, ... packetB8};`
- `fifoEntry0 = {packetB23, ... packetB16};`
- `fifoEntry0 = {packetB31, ... packetB24};`

After filtering, the section filter outputs one 8-byte result through the output OCP FIFO. The format is exactly the same as TSCmdF, the TSCmdF.MATCH and TSCMD. The FLTID bit field is set according to the filtering result. The section data is always returned by the section filter after the TSCmdF.

The default depth of the section filter I/O FIFO is 16x8 bytes each. These resources are shared with the demultiplexer internal and interface memory in a 16KB SRAM.

#### 10.2.4.2. Section Filter Control

Software can control the section filter to perform the following rule-management functions:

- Global enable and disable of all section filter rules.
- Individual enable and disable per section filter rule.
- Mechanism to initialize and reset the filter engine.
- Mechanism to add and remove a rule.
- Status to show the filter engine activity, through a status register, the software can get information which rule the section filtering is currently matching with, and what SRAM Address it is reading the rule from, and what state the section filter main state machine is in.

The changes of the rules can only be made when the section filter input FIFO is empty and the main state machine is in idle state.

### 10.2.4.3. Section Filter Rule Descriptor

All the section filtering rules can be programmed into the section filter rule SRAM by ARM. For each rule, there is a DW filter rule descriptor and rule data. The rule data can be 3DW to 9DW in size; each DW is 4 bytes in size.

The total rule SRAM is 2K DW. Since the rule data have variable sizes, each of the rule descriptors has a field pointer to the start address of its associated rule data in the rule SRAM. All the rule descriptors have a fixed length of 2DW and are stored sequentially from address 0x0 of the rule SRAM.

The rule descriptor includes the following information:

- If the rule is a one-shot rule, it is disabled once a match is found unless the software turns it on again through the enable-register bit
- If a match of the PID and TSID is necessary before the rule is applied, in this case, the target PID, TS port ID, and Table ID are included in the rule descriptor
- Rule SRAM address pointer to the associated rule data

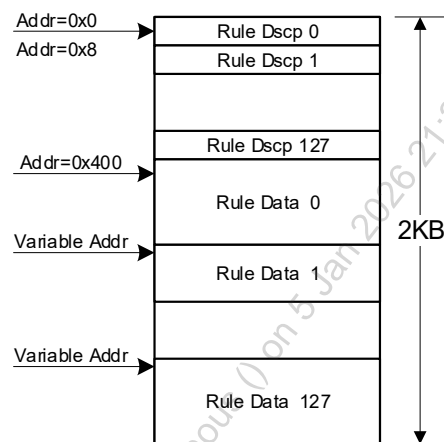


Figure 6. Section Filter Rule Descriptor

Table 5. Section Filter Entry Definitions

Word Offset	Word ID	Type	Bits	Bit Field - Enums	Reset - Access	Array
\$INTERFACE	TspSecFilter	module				
@	HDR0	(P)				
		%unsigned	1	ONESHOT	0	
			*	Enable one shot filtering		
		%unsigned	1	PIDCHECKEN	0	
			*	Match PID before section filter		
		%unsigned	1	TIDCHECKEN	0	
			*	Match PID before section filter		
		%unsigned	11	RULEID	0	
			*	Pointer to the next RULE		
@	HDR1	(P)				
		%unsigned	16	EXTPID	0	
			*	This bit field is used to match with the incoming TSCmdTSC {TSID, PID}, section filter will only be active when EXTPID matches		
		%unsigned	8	TID	0	
			*	Table ID to be matched		
\$ENDOFINTERFACE						

#### 10.2.4.4. Section Filter Rule Data

Section filter rule data has the following data fields:

- **MODE**—indicates one of the following modes for section filtering: inRange, outRange, positiveMatch, and negative Match
- **BYTEOFFSET**—byte offset to selection up to 4 double words from 8 double word section table header
- **BITOFFSET**—offset within a byte for section header match, only used in positive/negative Match modes
- **LAST**—indicates a rule is the last rule of a cascaded section filter rule
- **NXT**—address pointer to the next rule in rule SRAM
- **LEN**—in positive/negative Match mode, this field specifies the length of a match pattern, from 1 to 4 double words, if MODE is in/outRange, length of the filter is always 1 double word
- **PATTERN**—2DW to 8DW pattern and mask data
  - In in/outRange mode, the PATTERN is 2 double words long, with minimum value PATTERN(MIN) and maximum value PATTERN(MAX)
  - In positive match or negative match mode, the PATTERN can be a variable (even) number of double words. The first half of the double words specifies the pattern to match PATTERN(COEFF), and second half of the double words specifies the mask bits PATTERN(MASK)

The MODE field specifies the 4 modes supported by each rule:

- In range mode—In range match, up to 32 bits of the section data can be selected to compare with a range. Since the input section data is 32 bytes, the BYTEOFFSET and BITOFFSET fields are combined to select this 32-bit data from any bit boundary for range comparison. The filtering result is a match if the selected section header data is greater than or equal to minimum AND less than or equal to maximum specified by 2DW pattern:
  - $\text{PATTERN(MAX)} \geq (\text{SectionHeader} \gg (\text{BYTEOFFSET} * 8 + \text{BITOFFSET})) \geq \text{PATTERN(MIN)}$ ;
  - Out range mode—the filter result is a match if the selected section header data is less than minimum OR greater than maximum specified by a 2 DW pattern.
    - $(\text{SectionHeader} \gg (\text{BYTEOFFSET} * 8 + \text{BITOFFSET})) > \text{PATTERN(MAX)}$  or
    - $(\text{SectionHeader} \gg (\text{BYTEOFFSET} * 8 + \text{BITOFFSET})) < \text{PATTERN(MIN)}$
  - Positive match mode—in positive/negative Match mode, up to 16 bytes of section header data, selected by BYTEOFFSET, are compared against pattern with mask bits specified in the rule data. In exact match mode, the length of the selected section header data can vary from 1DW to 8DW. This length is specified by the LEN field in the rule data.
  - All selected bits in section header data are equal to the non-masked pattern, while the masked pattern bits are ignored.
    - $(\text{SectionHeader} \gg (\text{BYTEOFFSET} * 8)) \& \text{PATTERN(MASK)} == \text{PATTERN(COEFF)} \& \text{PATTERN(MASK)}$
  - Negative match mode—at least one bit of the selected bits in the section header data does not equal the specified pattern, while the masked pattern bits are ignored.
    - $(\text{SectionHeader} \gg (\text{BYTEOFFSET} * 8)) \& \text{PATTERN(MASK)} \neq \text{PATTERN(COEFF)} \& \text{PATTERN(MASK)}$

The NXT field is a rule SRAM address pointer used to cascade multiple rules into a filter chain. The LAST field is used to indicate it is the last rule of a chain. During the filtering, if any of the cascaded rules has a mismatch, the entire filter chain is considered no match and the filter engine moves on to the next rule chain.

Table 6. Section Rule Entry Definitions

Word Offset	Word ID	Type	Bits	Bit Field - Enums	Reset - Access	Array
\$INTERFACE	TspSecRule	module				
@	CTRL	(P)				
		%unsigned	5	BYTEOFFSET		
			*	Byte offset into the section data the exact and range match is applied to		
		%unsigned	3	BITOFFSET		
			*	Bit offset within first byte the range comparison is applied, this field is ignored when MODE!=RANGE		
		%unsigned	1	STOPONMISS		
			*	Obsolete; The filtering stops whenever there is a miss, regardless of the value of this field.		
		%unsigned	1	LAST		
		%unsigned	11	NXT		
		%unsigned	2	MODE		
			:	INRANGE	0x0	
				Section header is within (inclusive) the min and max range		
			:	OUTRANGE	0x1	
				Section header is out (exclusive) of the min and max range		
			:	PMATCH	0x2	
			*	Section data are direct used to match with pattern		
			:	NMATCH	0x3	
			*	Section data are negated before match		
		%unsigned	4	LEN		
			*	If mode = RANGE, this field is ignored; else, it indicates length of the match filter in DW		
@	MINMASK	(P)				

Table 6. Section Rule Entry Definitions (Continued)

Word Offset	Word ID	Type	Bits	Bit Field - Enums	Reset - Access	Array
		%unsigned	32	VALUE		
@	MAXCOEFF1DW	(P)				
		%unsigned	32	VALUE		
@	MAXCOEFF2DW	(P)				
		%unsigned	32	VALUE		
@	MAXCOEFF3DW	(P)				
		%unsigned	32	VALUE		
@	MAXCOEFF4DW	(P)				
		%unsigned	32	VALUE		
@	MAXCOEFF5DW	(P)				
		%unsigned	32	VALUE		
@	MAXCOEFF6DW	(P)				
		%unsigned	32	VALUE		
@	MAXCOEFF7DW	(P)				
		%unsigned	32	VALUE		
	MAXCOEFF8DW	(P)				
		%unsigned	32	VALUE		
@	MAXCOEFF9DW	(P)				
		%unsigned	32	VALUE		
@	MAXCOEFF10DW	(P)				
		%unsigned	32	VALUE		
@	MAXCOEFF11DW	(P)				
		%unsigned	32	VALUE		
@	MAXCOEFF12DW	(P)				
		%unsigned	32	VALUE		
@	MAXCOEFF13DW	(P)				
		%unsigned	32	VALUE		
@	MAXCOEFF14DW	(P)				
		%unsigned	32	VALUE		
@	MAXCOEFF15DW	(P)				
		%unsigned	32	VALUE		
\$ENDOFINTERFACE						



### 10.2.4.5. Section Filter Resource

The section filter SRAM size is 2K DW.

The maximum number of section filters is 128 which occupy 256 DW in the SRAM. The software is fully in control of the SRAM allocation reset. When fewer than 128 section filters are instantiated, some of the 256 DW (begins from high address) can be used to store section filtering rules as well.

Table 7. Section Table Entry Definitions

Word Offset	Word ID	Type	Bits	Bit Field - Enums	Reset - Access	Array
\$INTERFACE	TspSecTbl					
@		%unsigned	32	Word		
\$ENDOFINTERFACE						

### 10.2.5. Crypto Engine

The Crypto engine provides hardware acceleration of TS payload descrambling/scrambling. It has four interfaces, a register programming interface, six input HBO FIFOs to load commands (three for each FIGO), two DTCM random access interfaces (one for each FIGO) to access input/output data, and a 32-bit APB target interface for key programming.

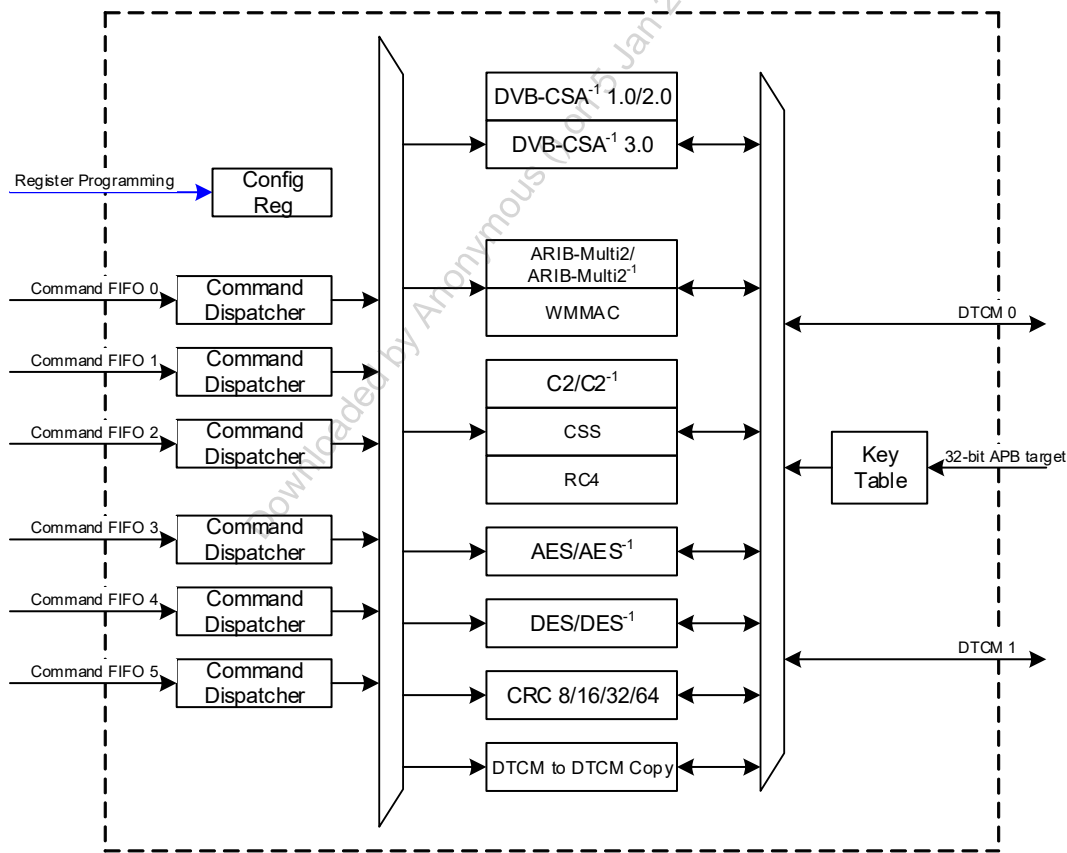


Figure 7. Crypto Engine

### 10.2.5.1. Operation Model

The Crypto engine is driven by Crypto commands from firmware. Content of a Crypto command includes the type of Crypto function, parameters of Crypto function, the addresses/size of the source data, and addresses of the destination buffer. Once firmware prepares the input data, output buffer, and Crypto function key, it writes the command into the one of the command FIFOs. The Crypto engine loads the command from the command FIFO and based on the content of the command, it activates one of the Crypto blocks. The activated Crypto block then reads the input data and key, applies the Crypto function and writes back the output data. All the data/key accessing during the execution of a command goes through the DTCM interface. Once the Crypto engine finishes the execution of a command, it writes a 64-bit return value into the return address.

There are three independent command FIFOs for each FIGO. The Crypto engine reads commands from these FIFOs in parallel. If the commands from different FIFOs are targeting different Crypto blocks, they are executed immediately in parallel without blocking one another. If commands from different FIFOs are targeting the same Crypto block, they are executed sequentially in round-robin fashion.

All of the commands posted to the same command FIFO are executed in order. Data coherence is guaranteed by hardware. Firmware can keep posting commands as long as the command FIFO is not full. However, there is no guaranteed execution order between commands from different command FIFOs. Firmware ensures there is no data dependency for commands being posted to different FIFOs. Otherwise, there may be unexpected result.

The return address is used to confirm the execution of a command. The Crypto engine writes a 64-bit word into the return address after the execution of a command. The return address is 16-bit configuration register set by firmware.

The return data is a counter that counts all the commands been executed from that command FIFO. Each command FIFO has its own return address and command counter.

### 10.2.5.2. Crypto Command Definition

Each Crypto command is 128 bits long. Commands for all the Crypto functions share the same structure, but some fields are interpreted differently by different functions and some fields are only applicable to certain functions.

*Table 8. Crypto Command Entry Definitions (Sheet 1 of 3)*

Word Offset	Word ID	Type	Bits	Bit Field - Enums	Reset - Access	Array
\$INTERFACE	TspCryCmd	module				
@		%unsigned	5	type		
			*	Crypto function type		
			:	Copy	0	
			:	CRC	1	
			:	INVDVBCSA2	2	
			:	INVDVBCSA3	3	
			:	AES	4	
			:	INVAES	5	
			:	TDES	6	
			:	INVTDES	7	
			:	C2	8	
			:	INVC2	9	
			:	WMMAC	10	

Table 8. Crypto Command Entry Definitions (Sheet 2 of 3)

Word Offset	Word ID	Type	Bits	Bit Field - Enums	Reset - Access	Array
			:	INWMMAC	11	
			:	ARIBMULTI2	12	
			:	INVARIBMULTI2	13	
			:	RC4	14	
			:	CSS	15	
			:	ASA	16	
		%unsigned	2	reserved_0		
		%unsigned	1	write_back_iv		
			*	0: Crypto engine will not overwrite the iv_address 1: Crypto engine will overwrite the iv_address with the iv for next block after the execution of the command		
		%unsigned	8	parameter		
			*	Parameters of the Crypto function For details, refer to the description of each Crypto block.		
		%unsigned	16	source_address		
			*	Address of the input data in byte		
		%unsigned	16	input_size		
			*	size of input data in byte; If input_size is 0, Crypto engine will not process any data. It will still increase the command counter and write out the return word.		
		%unsigned	16	destination_address		
			*	Address of the output buffer in byte;		
		%unsigned	16	key_address		
			*	address of the key		
		%unsigned	16	iv_address		
			*	Address of the initial vector		
		%unsigned	16	key_address_2		
			*	Address for the second key		
		%unsigned	16	parameter_1		

Table 8. Crypto Command Entry Definitions (Sheet 3 of 3)

Word Offset	Word ID	Type	Bits	Bit Field - Enums	Reset - Access	Array
			*	Additional parameters of the Crypto function; For details, refer to the description of each Crypto block.		
		%unsigned	8	reserved_1		
\$ENDOFINTERFACE						

### 10.2.5.3. Crypto Return Definition

Crypto Engine writes a 64-bit return word to the return address after it finishes the execution a Crypto command.

Table 9. Crypto Return Entry Definitions

Word Offset	Word ID	Type	Bits	Bit Field - Enums	Reset - Access	Array
\$INTERFACE	TspCryRtn	module				
		%unsigned	16	command_count		
			*	Number of commands being executed. The counter will wrap back to 0 once it reaches 65536. Firmware can set the initial value through register programming interface.		
		%unsigned	16	reserved_0		
			*	This field will be filled with all zeros		
		%unsigned	16	error_command_count		
			*	command_count of the last error command.		
		%unsigned	15	reserved_1		
			*	This field will be filled with all zeros		
		%unsigned	1	error_command_flag		

Table 9. Crypto Return Entry Definitions (Continued)

Word Offset	Word ID	Type	Bits	Bit Field - Enums	Reset - Access	Array
				Hardware will set this flag bit to one when key mismatch is detected for a Crypto command. The flag can only be cleared by firmware. The flag is not reset to zero by hardware after power on, so firmware should clear the flag before it sends the first Crypto command.		
\$ENDOFINTERFACE						

#### 10.2.5.4. Address Mapping

Crypto engine uses a 16-bit address to access the two FIGO DTCM and key tables.

DTCM is mapped to address 0 to 0x7fff and key tables are mapped to address 0x8000 to 0xffff. This mapping is different from the FIGO address mapping. For FIGO, DTCM is also mapped to address 0 to 0x7fff, but address 0x8000 to 0xffff is used for configuration registers.

Each FIGO has its own DTCM and the commands from one FIGO can only access the DTCM associated with it. For the same address between 0 and 0x7fff, commands from queue 0, 1 and 2 point to DTCM of FIGO0 and commands from queue 3, 4 and 5 point to DTCM of FIGO1. The key tables are shared between the two FIGOs. Commands from all the queues refer to the same key tables.

Table 10 lists the differences among FIGO, Crypto engine and SWD address mapping.

Table 10. Differences of FIGO, Crypto Engine and SWD Address Mapping

Hosts	Address 0~0x7fff	Address 0x8000~0xffff
FIGO 0	DTCM 0	Configuration Register
Command from Crypto Engine Queue 0 1 2	DTCM 0	Key Tables
Command from SWD Queue 0	DTCM 0	Not Mapped
FIGO 1	DTCM 1	Configuration Register
Command from Crypto Engine Queue 3 4 5	DTCM 1	Key Tables
Command from SWD Queue 1	DTCM 1	Not Mapped

Source data and destination data can only be stored in DTCM. Therefore, specifying source\_address or destination\_address to be bigger than 0x8000 causes the data accessing to be denied and yields unpredictable results.

Key and initial vector can be stored either in DTCM or in key tables. Hardware determines where to get the data based on the key\_address and iv\_address. For data in the key table, the accessibility is limited by the control word for each 64-bit entry. For data in DTCM, there is no such limitation.

### 10.2.5.5. Key Tables

Key tables are a set of register arrays to store the secret keys used for scrambling/descrambling. The keys stored in different tables are generated from different sources and used for different purposes. These tables include:

- TSP key table: Keys in this table are generated by the security processor in the SoC and used for general-purpose scrambling/descrambling functions.

For the Crypto engine, address 0x8000~0xffff are used for all the key tables.

#### TSP Key Table

The TSP key table is programmed by the external DRM system through the 32-bit APB target interface. In TSP, only the Crypto engine can access this table. FIGO and other hardware have no access to it.

Each entry of the key table stores 8 bytes of key data and some control fields. The control fields restrict the accessibility of the key data in that entry. Access to a certain entry is granted only when the type and parameter fields of the Crypto command match with those fields of the key table. Encryption and decryption of the same Crypto are treated as the same the type, although they are labeled with different `crypto_type` values. For example, if `TspCryCmd.type` is AES and `TspKeyEntry.crypto_type` is INVAES, the access is granted. The type of data being requested also must match the `data_type` field in the key table. Only key, initial vector, and second key are the allowed data types. Input and output data of a Crypto function cannot point to the key table.

If a non-valid request is detected, the Crypto command is not executed. The `command_count` in the Crypto return address is increased and the `error_command_flag` in the Crypto return address is set. Once the `error_command_flag` is set, firmware clears it. Hardware does not clear the `error_command_flag` after executing a valid command. The `error_command_count` field in the Crypto return address logs the `command_count` of the last command that issued the invalid key request.

Downloaded by Anonymous () on 5/27/2025 12:52:15 PM

The Crypto engine can write the initial vector back to the key table only when the write\_enable bit in the key table is set to one. This is the only way that Crypto engine can write to the key table.

Table 11. TSP Key Entry Definitions

Word Offset	Word ID	Type	Bits	Bit Field - Enums	Reset - Access	Array
\$INTERFACE	TspKeyEntry	module				
		%unsigned	32	key_lower		
		%unsigned	32	key_upper		
			*	64 bits key data of this entry		
		%unsigned	5	crypto_type		
			*	Type of Crypto function		
			:	Copy	0	
			:	CRC	1	
			:	INVDVBCSA2	2	
			:	INVDVBCSA3	3	
			:	AES	4	
			:	INVAES	5	
			:	TDES	6	
				INVTDES	7	
				C2	8	
				INVC2	9	
				WMMAC	10	
				INVWMMAC	11	
				ARIBMULTI2	12	
				INVARIBMULTI2	13	
				RC4	14	
				CSS	15	
		%unsigned	1	write_enable		
			*	0: disable write 1: enable Crypto engine to write to this entry		
		%unsigned	2	data_type		
			*	Type of data requested by the Crypto function 0: key of Crypto function 1: initial vector of Crypto function 2: second key of Crypto function (multi 2 only) 3: reserved		

Table 11. TSP Key Entry Definitions (Continued)

Word Offset	Word ID	Type	Bits	Bit Field - Enums	Reset - Access	Array
			:	KEY	0	
			:	IV	1	
			:	KEY2	2	
		%unsigned	8	crypto_param		
			*	Parameter of the Crypto function; Only effective bits are used for matching, reserved bits are ignored.		
		%unsigned	16	reserved_0		
		%unsigned	32	reserved_1		
\$ENDOFINTERFACE						

The key table control fields are mapped only to the 32-bit APB interface. Therefore, the key table address mapping of the Crypto engine is different from that of the 32-bit APB interface.

Table 12. Crypto Engine Key Table Address Mapping

Key Table Entry	Offset Address on 32-bit APB Interface	Offset Address of Crypto Engine
key data 0	0	0
control 0	8	N/A
key data 1	16	8
control 1	24	N/A
...	...	...
key data n	16*n	8*n
control n	16*n+8	N/A

There are a total of 256 entries in the TSP key table.

Table 13. TSP Key Table for Crypto Engine

Word Offset	Word ID	Type	Bits	Bit Field - Enums	Reset - Access	Array
\$INTERFACE	TspKeyTbl	module				
		\$TspKeyEntry		key_entry	MEM	[256]
\$ENDOFINTERFACE						



### 10.2.6. Command Dispatcher

When the command FIFO is not empty, the command dispatcher reads the Crypto command. Based on the content of the command, it activates one of the Crypto blocks and forward the command to that block.

### 10.2.7. Crypto Blocks

When the command FIFO is not empty, the command dispatcher reads the Crypto command. Based on the content of the command, it activates one of the Crypto blocks and forward the command to that block..

#### 10.2.7.1. DTCM to DTCM Copy

This block is used to copy data from one address to another address in DTCM. Applicable fields in the Crypto command include type, source\_address, source\_length, and destination\_address.

#### 10.2.7.2. CRC 8/16/32/64

This block is used to calculate the CRC value of the input data.

Applicable fields in the Crypto command include type, write\_back\_iv, parameter, source\_address, source\_length, destination\_address, key\_address, and iv\_address.

The value of polynomial (with MSB omitted) is stored at key\_address. Hardware fills the MSB with one. Results are written to destination\_address and iv\_address (if write\_back\_iv is set to one).

Table 14. CRC Parameter Entry Definitions

Word Offset	Word ID	Type	Bits	Bit Field - Enums	Reset - Access	Array
\$INTERFACE	TspCrcParam					
		%unsigned	2	size		
			*	Size of polynomial		
			:	CRC8	0	
			:	CRC16	1	
			:	CRC32	2	
			:	CRC64	3	
		%unsigned	6	reserved_0		
\$ENDOFINTERFACE						

#### 10.2.7.3. DVB-CSA<sup>-1</sup> 1.0/2.0

This block is used to descramble the input data following the DVB-CSA 1.0/2.0 standard. Applicable fields in the Crypto command include type, parameter, source\_address, source\_length, destination\_address, and key\_address.

For DVB-CSA 1.0, firmware turns on the conformance mechanism by setting the Conformance bit to one. For DVB-CSA 2.0, the Conformance bit is set to zero.

#### 10.2.7.4. DVB-CSA<sup>-1</sup> 3.0

This block is used to descramble the input data following the DVB-CSA 3.0 standard. Applicable fields in the Crypto command include type, parameter, parameter1, source\_address, source\_length, destination\_address, and key\_address.

### 10.2.7.5. ARIB-MULTI2/ARIB-MULTI2<sup>-1</sup>

This block is used to scramble or descramble the input data following the ARIB MULTI2 standard.

Applicable fields in the Crypto command include type, write\_back\_iv, parameter, source\_address, source\_length, destination\_address, key\_address, iv\_address, and key\_address\_2.

The 64-bit data key is stored in key\_address and the 256-bit system key is stored in key\_address\_2.

For ECB and CBC modes, input data size must be multiple of 8. For OFB and CTR modes, input can be any number of bytes.

For CTR mode, the last four bytes in IV are the counter and increase by one for each input word (8-byte). The remainder of the IV (the nonce) is kept the same for all input data.

Table 15. ARIB-MULTI2 Parameter Entry Definitions

Word Offset	Word ID	Type	Bits	Bit Field - Enums	Reset - Access	Array
\$INTERFACE	TspMulti2Param					
		%unsigned	3	mode		
			*	Mode of the Crypto function		
			:	ECB	0	
			:	CBC	1	
			:	OFB	2	
			:	CTR	3	
			*	All other values are reserved		
		%unsigned	5	round		
			*	Round number divided by 4; 0 is mapped to 32. For MULTI2 with round number of 32, this field should be set to 8.		
\$ENDOFINTERFACE						

10.2.7.6. AES/AES<sup>-1</sup>

This block is used to descramble or scramble the input data with AES.

Applicable fields in the Crypto command include type, write\_back\_iv, parameter, source\_address, source\_length, destination\_address, key\_address and iv\_address.

For ECB and CBC modes, input data size must be a multiple of 16. For OFB and CTR modes, input can be any number of bytes.

Table 16. AES Parameter Entry Definitions

Word Offset	Word ID	Type	Bits	Bit Field – Enums	Reset – Access	Array
\$INTERFACE	TspAesParam					
		%unsigned	3	Mode		
			*	Mode of the Crypto function		
			:	ECB	0	
			:	CBC	1	
			:	OFB	2	
			:	CTR	3	
			*	The last four bytes in IV are the counter and increase by one for each input word (16-byte). The rest of the IV (the nonce) is kept the same for all input data.		
			:	RCBC	4	
			*	RCBC mode as defined in DVB-CPCM part 5		
			:	CTR64	5	
			*	The last eight bytes in IV are the counter and increase by one for each input word (16-byte). The rest of the IV (the nonce) is kept the same for all input data.		
			:	CTR128	6	
			*	The entire 16 bytes in IV are the counter and increase by one for each input word (16-byte).		
			*	All other values are reserved		
		%unsigned	2	key_length		
			*	Length of the Key		
			:	AES128	0	
			:	AES192	1	
			:	AES256	2	
			*	All other values are reserved		

Table 16. AES Parameter Entry Definitions (Continued)

Word Offset	Word ID	Type	Bits	Bit Field - Enums	Reset - Access	Array
		%unsigned	3	reserved_0		
\$ENDOFINTERFACE						

### 10.2.7.7. TDES/TDES<sup>-1</sup>

This block is used to descramble/scramble the input data with TDES.

Applicable fields in the Crypto command include type, write\_back\_iv, parameter, source\_address, source\_length, destination\_address, key\_address and iv\_address.

For ECB and CBC modes, input data size must be a multiple of 8. For OFB and CTR modes, input can be any number of bytes.

For CTR mode, the last four bytes in IV are the counter and increase by one for each input word (8-byte). The remainder of the IV (the nonce) is kept same for all input data.

Table 17. TDES Parameter Entry Definitions

Word Offset	Word ID	Type	Bits	Bit Field - Enums	Reset - Access	Array
\$INTERFACE	TspTdesParam					
		%unsigned	3	Mode		
			*	Mode of the Crypto function		
			:	ECB	0	
			:	CBC	1	
			:	OFB	2	
			:	CTR	3	
			*	All other values are reserved		
		%unsigned	2	key_length		
			*	Length of the key		
			:	DES	0	
			*	64-bit key		
			:	TDES	1	
			*	192-bit key		
			:	TDES128	2	
			*	TDES with 128-bit key; key1 and key3 are the same		
			*	All other values are reserved		
		%unsigned	3	reserved_0		
\$ENDOFINTERFACE						

### 10.2.7.8. C2/C2<sup>-1</sup>

This block is used to descramble/scramble the input data with C2.

Applicable fields in the Crypto command include `type`, `write_back_iv`, `parameter`, `source_address`, `source_length`, `destination_address`, and `iv_address`.

The 56-bit C2 key is passed as the IV. Hardware loads it from `iv_address`. For CBC mode and when `write_back_iv` is set, hardware writes the updated 56-bit key back to the `iv_address`. If the 56-bit key is stored in the key table, firmware ensures the `TspKeyEntry.data_type` is set to IV.

Input data size for C2 must be a multiple of 8.

Table 18. C2 Parameter Entry Definitions

Word Offset	Word ID	Type	Bits	Bit Field - Enums	Reset - Access	Array
\$INTERFACE	TspC2Param					
		%unsigned	1	mode		
			*	Mode of the Crypto function		
			:	ECB	0	
			:	CBC	1	
		%unsigned	7	reserved_0		
\$ENDOFINTERFACE						

### 10.2.7.9. WMMAC

This block is used to calculate the CBC MAC based on an algorithm defined in Microsoft's Windows Media Digital Rights Management (WM DRM).

Applicable fields in the Crypto command include `type`, `write_back_iv`, `parameter`, `source_address`, `source_length`, `destination_address`, `key_address` and `iv_address`.

The input size must be a multiple of eight. If the `load_state` in `parameter` is set to one, hardware initializes the 8-byte state with data in the `iv_address`; otherwise, it resets the state to zero. After the MAC calculation finishes, the 8-byte output is saved to the `destination_address`. If the `write_back_iv` is set to one, hardware also saves the output into `iv_address`. The 48-byte CBC key is loaded from the `key_address`.

When the command `type` is set to `INVWMMAC`, hardware first calculates the partial MAC value of the first (`source_length - 8`) bytes in the source buffer, and then uses the partial MAC and the last 8 bytes (full MAC) in the source buffer to regenerate the last 8 byte of the content. Firmware places the 48-byte MAC key into `key_address` and hardware calculates the inverse MAC key.

Table 19. WMMAC Parameter Entry Definitions

Word Offset	Word ID	Type	Bits	Bit Field - Enums	Reset - Access	Array
\$INTERFACE	TspWmmacParam					
		%unsigned	1	load_state		
			*	0: reset the state to 0 1: load state from iv_address		
		%unsigned	7	reserved_0		
\$ENDOFINTERFACE						

### 10.2.7.10. RC4

This block is used to scramble the input data with RC4. Applicable fields in the Crypto command include `type`, `write_back_iv`, `parameter`, `source_address`, `source_length`, `destination_address`, `key_address`, and `iv_address`.

The 258-byte RC4 states (256 bytes of S plus two bytes of indexes, i and j) can be generated in two modes. In the first mode, firmware prepares the RC4 key in `key_address` and hardware generates the state with KSA. In this mode, the maximum key length supported is 32 byte. In the second mode, firmware prepares the state in `iv_address` and hardware loads it. For both modes, hardware stores the state back to `iv_address` if `writeback_iv` is set to 1.

Table 20. RC4 Parameter Entry Definitions

Word Offset	Word ID	Type	Bits	Bit Field - Enums	Reset - Access	Array
\$INTERFACE	TspRc4Param					
		%unsigned	1	init		
			*	0: load the state from <code>iv_address</code> 1: load key from <code>key_address</code> and run KSA to generate the state		
		%unsigned	5	key_length		
			*	Number of bytes in the key; 0 is mapped to 32; Valid only when init bit is one.		
		%unsigned	2	reserved_0		
\$ENDOFINTERFACE						

### 10.2.7.11. CSS

This block is used to decrypt the stream data in DVD with CSS.

Applicable fields in the Crypto command include `type`, `source_address`, `source_length`, `destination_address`, `key_address`, and `key2_address`.

Firmware prepares the 5-byte sector key in `key_address` and the 5-byte title key in `key2_address`. The `source_address` points to the first byte to be decrypted, not the beginning of a sector.

## 10.3. Sync Word Detection (SWD)

### 10.3.1. Operation Model

FIGO firmware sends commands to SWD through the HBO FIFO. Based on the address specified in the command, SWD loads context data and inputs packet data from DTCM. Context data is concatenated with input data to form a signal stream. SWD matches the stream with sync word at each byte position. Once it finds a match, it stops matching and saves the index (offset to the source\_address) of the last byte of the sync word into return FIFO. If no sync word is found in the packet, SWD indicates in the return data that no sync word was found.

The context\_address is used to store the last several bytes in the previous packet. It is required because sync words may cross two packets. Although context is defined as a four-byte value, hardware needs only the last (n-1, n = sync word length) bytes for the sync word matching. If the save\_context bit in the SWD command is set, SWD overwrites the context\_address with the new context value. If the sync word is found, SWD updates the last n bytes of context with sync word; otherwise (no sync word found), SWD updates the last (n-1) bytes of context with the last (n-1) bytes of the input stream (old context plus the input packet). If the input is the first packet and there is no context, firmware writes a default value into context\_address to avoid a false match.

Firmware can use the default sync word ({three bytes of 0x00, 0x00 and 0x01}) or specify another sync word. If firmware uses a sync word other than default one, it must set the use\_specified\_sync\_word bit in SWD command to one and write the length of the sync word into the sync\_word\_length field. Firmware also must write the value of the sync word into the context area, following the context value. When the specified sync word is less than four bytes, only the first few bytes are used. For example, if the sync word length is two, hardware uses bytes zero and one and ignores bytes two and three.

### 10.3.2. SWD Command Definition

Each SWD command is 64 bits long.

Table 21. SWD Command Entry Definitions

Word Offset	Word ID	Type	Bits	Bit Field - Enums	Reset - Access	Array
\$INTERFACE	TspSwdCmd	module				
		%unsigned	7	reserved_0		
		%unsigned	1	save_context		
			*	0: don't overwrite the old context with the new context. 1: overwrite the old context with the new context.		
		%unsigned	1	use_specified_sync_word		
			*	0: use default sync word (0x000001) for matching. 1: use sync word specified in context area for matching.		
		%unsigned	2	sync_word_length		



Table 21. SWD Command Entry Definitions (Continued)

Word Offset	Word ID	Type	Bits	Bit Field - Enums	Reset - Access	Array
			*	Length of the sync word Valid only when use_specified_sync_word is 1. 1: one byte sync word 2: two byte sync word 3: three byte sync word 0: four byte sync word		
		%unsigned	5	reserved_1		
		%unsigned	16	context_address		
			*	Address of the context;		
		%unsigned	16	source_address		
			*	Address of the input data in byte		
		%unsigned	16	input_size		
			*	size of the input data in byte; 0 is mapped to 65536		
\$ENDOFINTERFACE						

### 10.3.3. SWD Context Definition

Each SWD context is 64 bits long.

Table 22. SWD Context Entry Definitions

Word Offset	Word ID	Type	Bits	Bit Field - Enums	Reset - Access	Array
\$INTERFACE	TspSwdCtx	module				
		%unsigned	32	context		
			*	Value of the context		
		%unsigned	32	sync_word		
			*	Value of the sync word; Valid only when use_specified_sync_word in TspSwdCmd is one. Valid length of this field is defined by sync_word_length in TspSwdCmd. SWD only uses this field for matching, it does not change the value of this field.		
\$ENDOFINTERFACE						

### 10.3.3.1. SWD Return Definition

SWD will write 64-bit return word to the return FIFO after it finishes the execution of a SWD command.

Table 23. SWD Return Entry Definitions

Word Offset	Word ID	Type	Bits	Bit Field - Enums	Reset - Access	Array
\$INTERFACE	TspSwdRtn	module				
		%unsigned	1	syncword_detected		
			*	0: no syncword is found in the input data 1: syncword is found in the input data		
		%unsigned	15	reserved_0		
			*	This field will be filled with all zeros		
		%unsigned	16	syncword_position		
			*	Index of the last byte of the detected sync word		
		%unsigned	32	reserved_1		
			*	This field will be filled with all zeros		
\$ENDOFINTERFACE						

### 10.3.3.2. SWD Return Address Mapping

SWD shares the same address mechanism as Crypto engine, except that SWD has no access to the key table. For more information, see [Section 10.2.5.4., Address Mapping](#).

## 11. Graphics Engine

The Imagination™ graphics processing IP, included within the SL1680 SoC, is defined as a family of high-performance GPU cores that deliver hardware acceleration for 3D graphics displays for next generation IoT devices.

The PowerVR™ Series9XEP Kioloa core is a reusable IP block designed to bring high quality graphics acceleration and GPU compute capability to System-on-Chip (SoC) designs for a wide range of target applications; for example, smart home and appliances, security, streaming, mobile computing and control systems.

### 11.1. GPU Features and Supported Standards

#### 11.1.1. GPU Key Features

The PowerVR Series9XEP graphics processors are built around multi-threaded Unified Shading Clusters (USCs) which feature an ALU architecture with high SIMD efficiency, and support tile-based deferred rendering with concurrent processing of multiple tiles.

The Kioloa core has the following features:

- Base architecture, fully compliant with the following APIs:
  - OpenGL® ES™ 3.2
  - OpenCL™ 1.2EP
  - Vulkan® 1.1
  - Android™ NN HAL
  - Renderscript
- Tile-based deferred rendering architecture for 3D graphics workloads, with concurrent processing of multiple tiles.
- Asynchronous Fast 2D Renders.
- Multi-threaded Unified Shading Cluster (USC) engine incorporating pixel shader, vertex shader and GP- GPU (compute shader) functionality.
- USC incorporates an ALU architecture with high SIMD efficiency.
- Fully virtualized memory addressing (up to 64 GB address space), supporting unified memory architecture.
- Fine-grained task switching, workload balancing and power management.
- Advanced DMA driven operation for minimum host CPU interaction.
- Programmable high-quality image anti-aliasing.
- System Level Cache (SLC).
- Specialized Texture Cache Unit (TCU).
- Texture compression.
- Lossless data compression (PVRGC) – The PowerVR's geometry compression, which is performed in the Geometry Processing phase of the 3D graphics workload.
- Lossless and/or lossy image compression (PVRIC) – the PowerVR's frame buffer compression and decompression (FBCDC) algorithm.
- Dedicated processor for Series9XEP core firmware execution.
  - Single-threaded firmware processor with a 4KB instruction cache and a 2KB data cache.
- Support for GPU virtualization and Digital Rights Management (DRM) security.
  - up to 8 guest OSs supported.
  - separate IRQs per OS\_ID.
- On-Chip Performance Counters, Power and Statistics Registers.

### 11.1.2. Unified Shading Cluster Features

- Two ALU pipelines.
- 8 parallel instances per clock.
- Local data, texture and instruction caches.
- Variable length instruction set encoding.
- Full support for OpenCL™ atomic operations.
- Scalar and vector SIMD execution model.
- USC F16 Sum-of-Products Multiply-Add (SOPMAD) Arithmetic Logic Unit (ALU).
- Support for F16 data type in complex ALU.
- Complex and trigonometric instructions co-issued with F32/F16 instructions.

### 11.1.3. 3D Graphics Features

- Rasterization
  - Deferred Pixel Shading.
  - On-chip tile floating point depth buffer.
  - 8-bit stencil with on-chip tile stencil buffer.
  - Four maximum tiles in flight.
  - 32 Parallel depth/stencil tests per clock.
  - Two fixed-function rasterization pipelines.
- Texture Lookups
  - Load from source instruction support.
  - Texture writes enabled through the Texture Processing Unit.
- Filtering
  - Point, bilinear and tri-linear filtering.
  - Anisotropic filtering.
  - Corner filtering support for Cube Environment Mapped textures and filtering across faces.
- Texture Formats
  - PVRTC I and II compressed texture formats.
  - ASTC LDR compressed texture format support.
  - PVRIC lossless and/or lossy compression format support for non-compressed textures and YUV textures.
  - ETC
  - YUV planar support.
  - 10-bit sRGB and YUV format support.
- Resolution Support
  - Frame buffer max size = 4K × 4K
  - Texture max size = 16K × 16K.
- Anti-aliasing
  - Maximum 4× multi-sampling.
- Primitive Assembly
  - Early hidden object removal.
  - Vertex compression.
  - Tile acceleration.
- Render to Buffers
  - Twiddled format support
  - Multiple on-chip render targets (MRT)
  - Lossless and/or lossy Frame Buffer Compression (and Decompression)
  - Programmable Geometry Shader Support
  - Direct Geometry Stream Out (Transform Feedback)

### 11.1.4. Compute Features

- 1, 2, and 3-dimensional compute primitives.
- Block DMA to/from USC Common Store (for local data).
- Per task input data DMA (to USC Unified Store).
- Conditional execution.
- Execution fences.

### 11.1.5. FBCDC Features

- Frame Buffer Compression/Decompression (FBCDC) version 4.
- Additional Frame Buffer Compressor Tile Type of 32 x2 pixels (strided, and 24bpp or more only supported).

## 11.2. GPU Integration Overview

Figure 1 shows the view of Kioloa core in the Synaptics SoC. The Kioloa (GPU) core and Host CPU work together to process the various workloads that are supported by the Kioloa core, while the Kioloa core needs access to a memory subsystem to fetch commands and data.

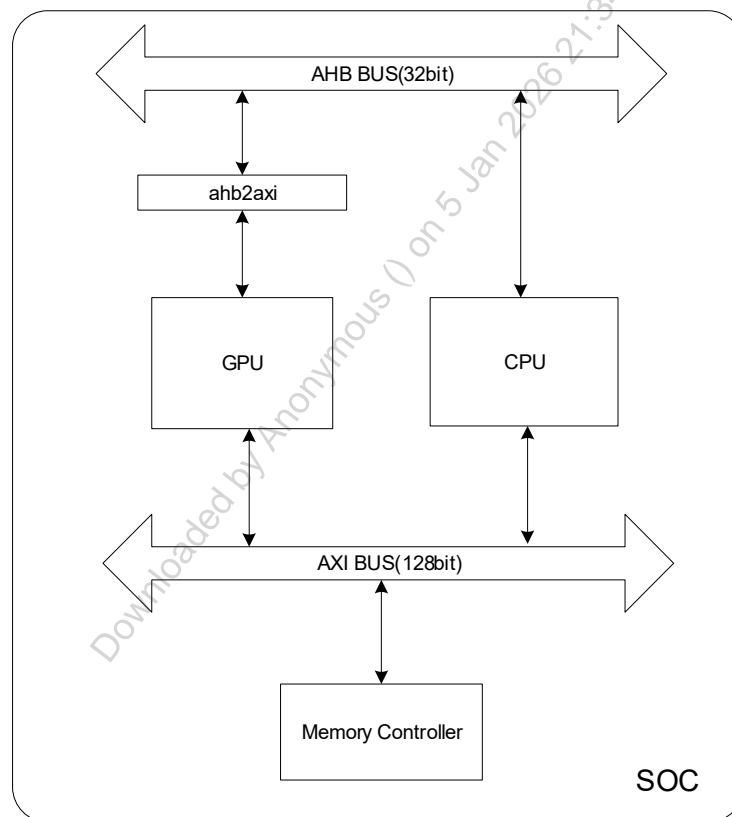


Figure 1. Kioloa core in SoC

The SoC interconnect, or bus fabric, as shown in the Figure 1, consists of two key buses:

- Memory interconnect to allow the SoC modules access to system memory (for example, SDRAM, FLASH, and so on) via the memory controller.
- System bus to allow a host CPU to access configuration/status registers of various target IPs in the SoC, such as the Kioloa core.

## 11.3. GPU Bus Interface

This section describes the bus interface groups for an AXI bus protocol configured Kioloa core. There are two bus interface groups in the Kioloa design, the system bus interface and the memory bus interface. Each group is independent of the other in terms of the bus width and how they can operate.

### 11.3.1. AXI Host Interface

This is an AXI host interface (AXI MEMIF). It consists of a single channel denoted as 0. A channel is a 128-bit wide port and is used to read and write the memory data from/to memory. The mapping of physical addresses generated from the core to the port is configurable according to Kioloa configuration registers.

Table 1. Features of GPU AXI Host Interface

Feature	Characteristic
Number of memory interfaces	2
Allowable Bus / Core Clock Relationship	Asynchronous Interface
Related to clock	mem_clk
AXI type	ACE Lite
Host or Target	Host
Burst attribute	Max Burst: 4 beats Incrementing (wrapped burst type is not supported)
Address bus width	32 bits
Data bus width	128 bits
Tag ID width	6 bits
Number of IDs	2 <sup>6</sup>
Max number of outstanding reads	64
Max number of outstanding writes	64
Combined number of outstanding reads and writes	128 combined read <i>and</i> write transactions. The total number of outstanding tag IDs can be any mix of read and write at any one time.
Interleaving	Write Interleaving is not supported
Sideband signals	AXI_ARUSER_MEMIF: internal tag id (read) AXI_AWUSER_MEMIF: internal tag id (write)

### 11.3.2. AXI SoC Interface

The SoC Interface (SOCIF) is an AXI Target interface. This interface is used to access the Kioloa control registers. It is a fixed 32-bit data interface.

The socif interface tag width is configurable and specified by the generic AXI\_SOCIF\_TAG\_WIDTH.

The interface supports write byte masking and the byte mask does not apply to read accesses. This is so that only writes which the driver intends to make into the device are observed irrespective of the bus width. Fully masked writes to the SoC Interface are supported.

Table 2. Features of GPU AXI SoC Interface

Feature	Characteristic
Allowable Bus / Core Clock Relationship	Asynchronous Interface
Related to clock	sys_clk
AXI type	AXI3
Host or Target	Target
Burst attribute	Bursts are not supported on the SOCIF
Address bus width	32 bits
Data bus width	32 bits
Tag ID width	10 bits
Number of IDs	$2^{10}$
Max number of outstanding reads	64
Max number of outstanding writes	64
Interleaving	Write Interleaving is not supported
Sideband signal	N/A



## 11.4. Performance Characteristics

The performance characteristics of the Kioloa core are theoretical maximum performance with the architecture running at 100% efficiency.

*Table 3. GPU Core Performance Characteristics*

Feature	Performance
Floating Point Operations (F32)	32 operations per clock
Floating Point Operations (F16)	64 operations per clock
Integer Operations	32 operations per clock
Geometry Performance	0.25 poly per clock
Texture performance	8 texels per clock
Pixel performance	8 pixel(s) per clock
OCL Compute Performance	1 task per 4 clocks
Maximum memory latency tolerance	300 core clock cycles

Downloaded by Anonymous () on 5 Jan 2026 21:34:44 UTC

## 11.5. GPU Architecture Overview

Figure 2 shows the key modules of the GPU core.

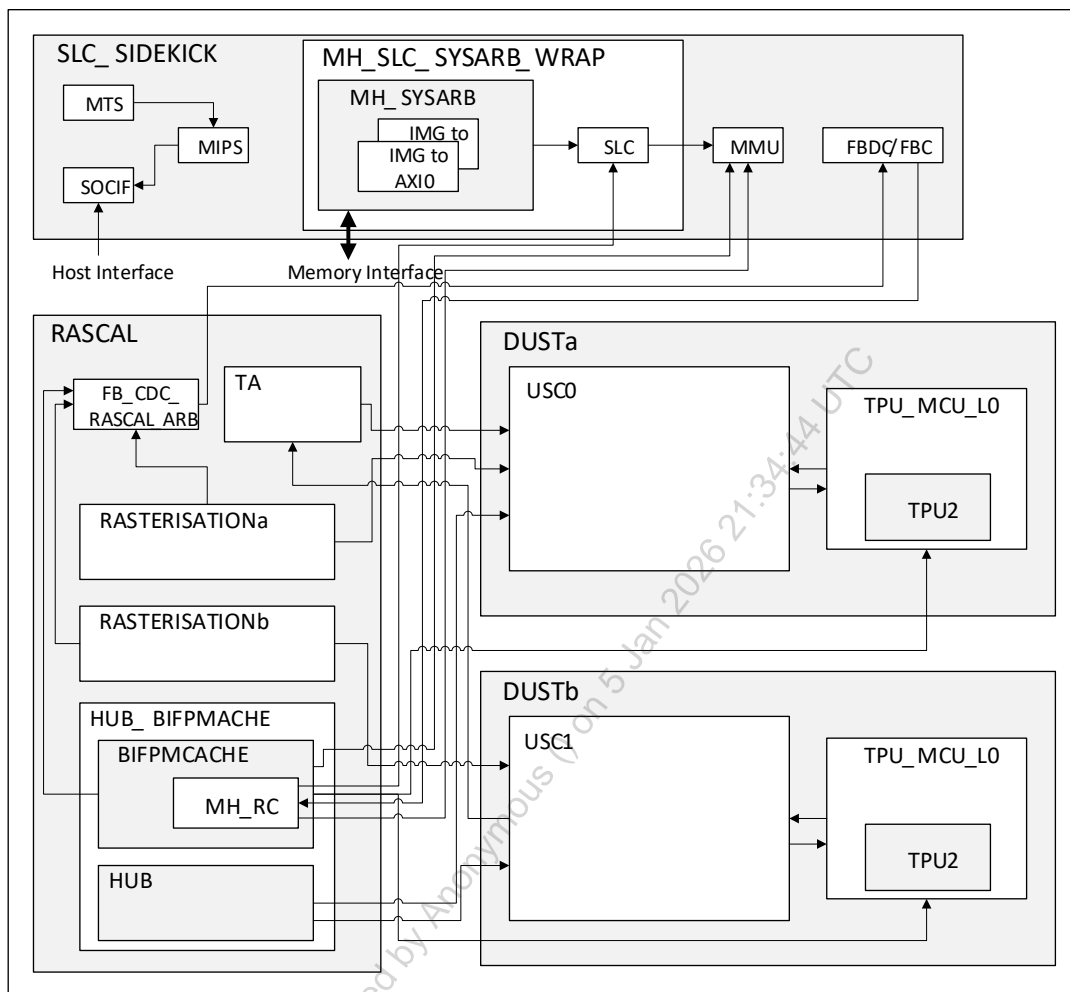


Figure 2. GPU High-Level Architecture

The PowerVR Kioloa core processes a number of different workload types concurrently, namely:

- 3D Graphics Workload, which involves processing vertex data and pixel data for rendering of 3D scenes.
- Compute Workload (GP-GPU), which involves general purpose data processing.
- 2D Workload, which involves processing of pixel data for rendering 2D objects. The 2D workload is structured as a series of 2D render packets by the driver, and these are known as blits.

Note that for the Kioloa core the Compute Workload cannot run concurrently with any other workload. The 2D workload can run concurrently with the 3D workload.

3D graphics workloads are generally composed of vertex and pixel processing. The PowerVR Series9XEP architecture is based on tile-based deferred rendering and processes data in 2 phases. The first of these phases is the Geometry Processing Phase which involves vertex operations such as transformation and vertex lighting, as well as dividing a 3D scene into tiles. The next phase which involves pixel operations such as rasterization, texturing and shading of pixels, is referred to as the Fragment Processing Phase in the PowerVR Series9XEP architecture.

The Series9XEP architecture utilizes both programmable and fixed function pipelines to perform the various processing tasks required in the different types of workloads.

For performance scalability and power management purposes the PowerVR Series9XEP architecture is partitioned into various top-level blocks: SLC\_SIDEKICK, RASCAL, and one or more DUSTs.

- SLC\_SIDEKICK

This top-level block contains the firmware execution and high-level scheduling block, the MIPS micro-controller. The Memory Management Unit (MMU) and the SoC Interface (SOCIF) relate to memory access and SoC interfacing.

The System Level Cache (SLC) provides caching of all types of workload data, and converts sequences of memory requests from the various requesters in the Kioloa core into external memory transactions.

The SYSARB arbitrates between MIPS and SLC for access to the memory interface.

- RASCAL

This top-level block contains the fixed function units used by the Geometry Processing Phase. These include the Unified Vertex Store (UVS) which stores the vertices processed by the USCs in the Geometry Processing Phase, and the Tile Accelerator (TA) unit, which performs clipping, culling and generation of tiles.

To support the Fragment Processing Phase, the fixed function units, such as the Image Synthesis Processor (ISP) for hidden surface removal, Texture Shading Processor (TSP) for fetching the required data to enable pixel shading on the USCs, and the Pixel Back End (PBE) for transferring pixels to the frame buffer, are located in this top-level block.

The Parameter Management (PM) block is responsible for allocation and deallocation of memory required to hold tile related data structures (parameters) generated by the Geometry Processing Phase, which are then processed in the Fragment Processing Phase.

The Programmable Data Sequencer (PDS) controls the scheduling of USC tasks for 3D graphics and compute workloads. It selects among the various tasks from the relevant data hosts, which include the Vertex Data Host (VDH), the Pixel Data Host (PDH) and the Compute Data Host (CDH).

These data hosts are primarily responsible for fetching the tasks from memory for the 3D graphics and compute workloads.

This block also contains the 2D Data Host (TDH) which is used to support asynchronous processing of fast 2D renders.

Various infrastructure related units including the Texture Cache Unit (TCU), the USC Instruction Cache, and the MH\_RC, which consists of the Request Arbiter (REQARB) and the Core Arbiter (COREARB), are located in this top-level block.

- DUST

This block contains the main programmable processing elements of the PowerVR Series9XEP architecture called the Unified Shading Clusters (USCs).

A USC is a multi-threaded programmable SIMD processor, which can simultaneously process pixel shader, vertex shader, and compute shader tasks.

The TPU is used for addressing textures in memory and applying filtering on the texture data fetched.

### 11.5.1. 3D Graphics Workload Outline

An outline of the Kioloa architecture units involved with the 3D graphics workload is shown in Table 4, along with the associated 3D graphics operations.

Table 4. 3D Graphics Workload Outline

Host	Application initiates a <i>render</i> .	Vertex Processing	
	Client Driver writes 3D control stream to system memory and <i>kicks</i> the GPU.		
Geometry Processing Phase	The firmware processor sets up the GPU and initiates the Geometry Processing Phase.		
	VDH, Vertex Data Host, fetches geometry and forwards to Programmable Data Sequencer.		
	PDS, Programmable Data Sequencer, creates “vertex tasks” and forwards to USCs.		
	USCs, Unified Shading Clusters, process geometry and forwards transformed data to the Geometry Processing Pipeline and Tiling Engine		Tile Processing
	GPP and TE, Geometry Processing Pipeline and Tiling Engine, groups the transformed-geometry into tiles and writes to a <i>parameter</i> buffer in system memory.		
Fragment Processing Phase	The firmware processor initiates the Fragment Processing Phase.		Hidden Surface
	PDH, Pixel Data Host, fetches tiles from the Parameter Buffer one-by-one.		
	ISP, Image Synthesis Processor, determines which fragments are visible in a tile.		Removal and Depth/Z Tests
	TSP, Texture and Shading Processor, reads the vertex data for triangles which are still visible via the Texture and Shading Parameter Fetch (TPF) and forwards to Texturing and Shading FPU (TFPU). The TFPU provides plane equations to the USC so that per pixel colors and texture coordinates may be delivered to the texture pipeline.		
	PDS, Programmable Data Sequencer, creates <i>pixel tasks</i> and forwards to USC.	Fragment Processing	
	USC, Unified Shading Cluster, processes fragments and forwards final pixel values to PBE.		
	PBE, Pixel Back End, buffers all rendered data for a tile – writes a complete tile’s worth of data to memory.	Pixel Processing	

### 11.5.2. Compute Workload Outline

An outline of the Kioloa architecture units involved with the compute workload is shown in [Table 5](#).

Table 5. Compute Workload Outline

Host	Application initiates an <i>enqueue Kernel</i> .
	Compute driver writes kernel enqueue parameters to system memory and <i>kicks</i> the GPU.
Compute Workload	The firmware processor sets up the GPU and initiates the compute processing.
	CDH, Compute Data Host, fetches parameter data, generates multiple <i>kernel instances</i> and forwards to PDS.
	PDS, Programmable Data Sequencer, groups kernel instances into <i>compute tasks</i> and forwards to available USCs.
	USCs, Unified Shading Clusters, execute the tasks, writing results of computation to system memory.

Downloaded by Anonymous () on 5 Jan 2026 21:34:44 UTC

## 11.6. GPU Control Streams

One of the key concepts for controlling the Series9XEP core is control streams. Control streams are structures of control data stored in memory. There are essentially two types of control streams; workload control streams and internal control streams.

Control streams are stored in system memory that is shared between the host system and the Kioloa core. Further control of the Series9XEP core is provided through the use of control registers.

### 11.6.1. Workload Control Streams

Series9XEP workload processing is controlled through the use of a control stream which is stored in system memory. At initiation of a workload, the Series9XEP device driver creates a series of data blocks in memory for that workload, which contains information, such as state data, triangle index lists, vertices, shader constants and instruction code. The workload control streams are also used when resuming from a context switch.

Workload control data is split into sections, where each section has a header which describes the type and format of the data which follows. In its simplest form, the structure of the input format consists of a stream of words; a Block Header followed by Block Data as shown in [Figure 3](#).

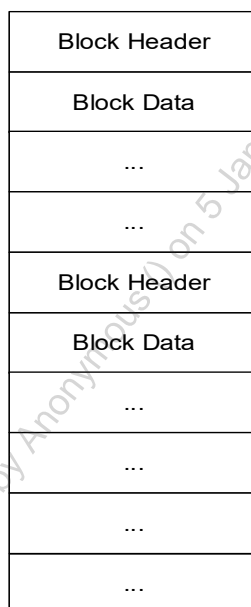


Figure 3. Example Workload Control Stream

### 11.6.2. Internal Control Streams

Different parts of the Series9XEP core also communicate with each other using internal control streams.

The Parameter Buffer, for example, is in system memory, and contains the intermediate 3D Display List Structure, which is the data used for communication between the Geometry Processing Phase and Fragment Processing Phase of a 3D workload.

## 12. Neural Network Engine

The SL1680 integrates a Neural Processing Unit (NPU) based on intellectual property (IP) cores from VeriSilicon™, designed to accelerate artificial intelligence and machine learning applications. This section provides an overview of the features and capabilities of the NPU. For further details of the IP core and architecture, please contact VeriSilicon.

### 12.1. Overview

The NPU in the Synaptics Astra SL1680 utilizes IP from VeriSilicon, with the following primary configuration:

- 22NN core with 4224 INT8 MACs
- 1MB SRAM

The main functional blocks of the NPU are described as follows:

- **Host Interface**—Allows the NPU to communicate with external memory and the CPU through the AXI or AHB bus. In this block data crosses clock domain boundaries.
- **Memory Controller**—An internal memory management unit that controls the block-to-host memory request interface.
- **Power Management**—Provides top level controls for clock gating and power management.
- **Vision Front End**—Inserts high level primitives and commands into the vision pipeline.
- **Neural Network Core**—Provides parallel convolution MAC for recognition functions using integer operations.
- **Tensor Processing Fabric**—Provides data preprocessing and supports compression and pruning for multi-dimensional array processing for Neural Nets.
- **Compute Unit**—SIMD processor programmable execution unit that perform as a Compute Unit for OpenCL. The NPU IP has 1 vec4 Parallel Processor Unit which also acts as 4 Processing Elements for OpenCL.
- **Vision Engine**—Provides advanced image processing functions. For example, in one cycle, the Vision Engine can perform one MUL/ADD instruction or a dot product of two 16-component values.
- **Universal Storage Cache**—Cache shared between the Vision Front End and the Parallel Processing Unit. A portion of this cache can be locked to stay on-chip.

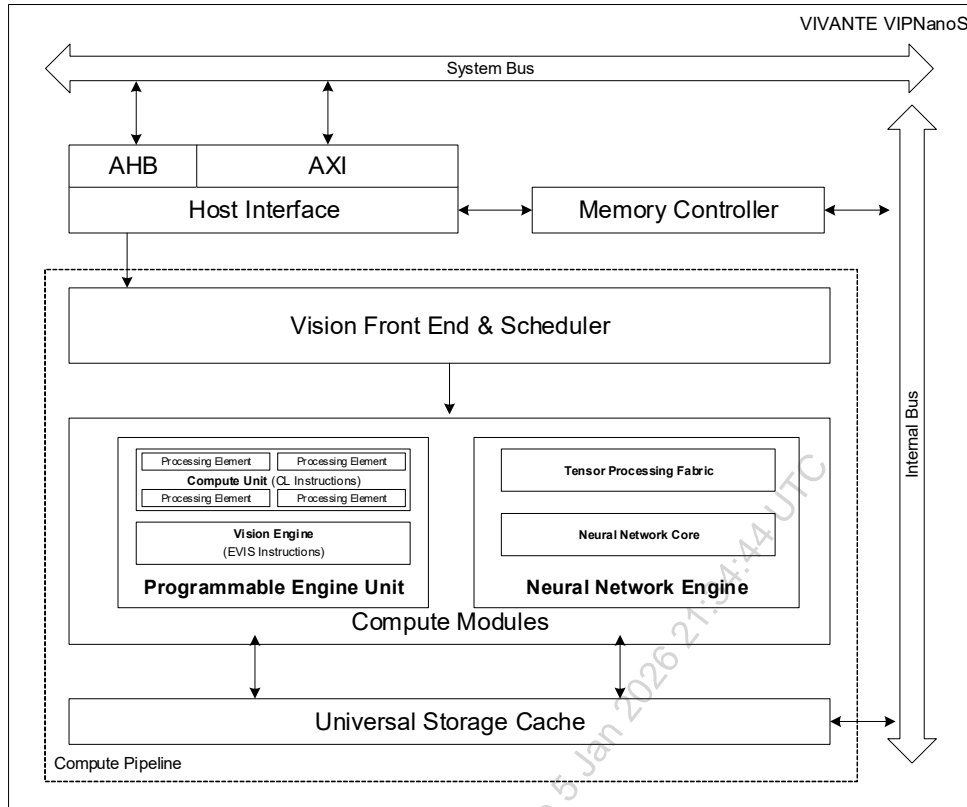


Figure 1. NPU block diagram

Downloaded by Anonymou... on 5 Jan 2026 21:34:44 UTC



## 12.2. Interface

Table 1. Interface

Feature	VIP Support
AHB interface	32-bit
AXI interface	1128-bit AXI / ACE-Lite interfaces for external memory access
Virtual memory support	Yes
Code and data memory location restrictions	Unrestricted; arbitrary memory reads and writes
Physical address	32 bits
Secure Memory Management	Yes, TrustZone
Resource locks with CPU	Semaphore lock
Latency Hiding	256 VIP cycles

Downloaded by Anonymous () on 5 Jan 2026 21:34:44 UTC

## 13. Image Signal Processing (ISP)

### 13.1. Introduction

The ispSS is an Image Signal Processor Sub System, which consists of two MIPI DPHY-RX IPs, two CSI-2 RX controllers, one ISP core and in-house designed MTR, dHub, rotation, downscaler and de-wrapper.

As a completed camera solution, the primary features are listed below:

- MIPI Interface:
  - Compliant with *MIPI Alliance Specification for D-PHY version 1.2, September 2014*
  - Compliant with *MIPI Alliance Specification for Camera Serial Interface 2(CSI-2), Version 1.2, January 2014*
  - Support two DPHY-RX channels, one is 4 lanes, the other is 2 lanes
  - Each lane supports up to 2.5Gbps data rate
- ISP picture processing:
  - ISP baseline processing, including Defect pixel correction, Lens shading correction, De-mosaic, High Dynamic Range compression, Local tone mapping, AF & AE & AWB measurement, Spatial Noise Reduction, Temporal Noise Reduction, CAC, Color Noise Reduction, Color processing and Crop & Down Scalar.
  - Up to 3 exposures staggered/DOL HDR merging
  - Picture rotation and de-warp
- Security:
  - Support content (sensor 0/1) aware security
  - Support improved TrustZone® technology
- Low Power
  - Provide fine grained block/feature wise clock gating
  - Buses isolation for clock gated blocks
- Memory access interface:
  - Supports memory bandwidth reduction
  - AMBA AXI-4 compliant
  - 128 bits
- Program Interface:
  - AMBA AHB

The ispSS can be used to support both traditional one camera applications such as conference call, surveillance, computer vision, etc. It can also be used to support advanced two cameras applications such as 3D vision, depth perception, panorama, and so on.

## 13.2. Top Architecture

### 13.2.1. ISP Top diagram

ISP top diagram is a high integrated all-inclusive ISP sub system which supports all kinds of applications such as surveillance, video conference, AI and CV. It supports upper to 2 cameras with HDR 4K resolutions. Pixel rate supports up to 600 MHz. To meet the low power scenario, multi-level clock gating is used to reduce dynamic power.

The ISP sub-system is divided into five partitions, ispFE, ispCORE, ispBE, ispDMA and ispMISC.

#### 13.2.1.1. ISP Frontend

ISP frontend in SL1680 is consist of DPHY 1.2 RX and CSI-2 receiver controller, which takes sensor raw data via MIPI lanes and feed it to ISP core. To support dual cameras applications, two MIPI CSI channels are implemented. One has four lanes, which supports up to 60Hz UHD video streaming. The other has two lanes to support up to 120Hz FHD video streaming. Via CSI-2 virtual channels, they can also deliver staggered.

#### 13.2.1.2. ISP Core

ISP core performs all image signal concerned processing such as de-mosaic, de-noise, HDR merging, tone-mapping, auto white balance, auto focus, auto exposure, and so on.

#### 13.2.1.3. ISP Backend

ISP backend is a Synaptics design, providing support for AI/CV applications. It provides features, such as picture rotation, de-warping, down-scaling and cropping.

#### 13.2.1.4. ISP DMA

ISP DMA controller converts and aggregates all internal streaming interface to DDR side AXI traffic. It also provides other add-on features such as shared DMA buffer, bandwidth compressor and latency meter and camera-based security.

#### 13.2.1.5. ISP MISC

ISP MISC implements configure bus decoder, BCM to support interrupt triggered DDR programming streams and top-level glue logics to generate clock, reset and interrupts.

### 13.3. ISP Clock Plan

Data-path between different domains are separated by async-fifo or DDR frame buffer. There are 12 functional or test concerned clocks in ispSS. The byteClks are from MIPI DPHY IP. Others are from external PLL. In the DPHY soft core, there are more DPHY internal clocks not listed here.

Table 1. ispSSTop Main Clock

Name	Source	Range (MHz)	Frequency (MHz)	Description
byteClk0	MIPI0	follow MIPI input	312.5	Generated by D4C1 DPHY, used to unload MIPI payload.
byteClk1	MIPI1	follow MIPI input	312.5	Generated by the second D4C1 DPHY, used to unload MIPI payload.
csiClk0	DPLL	74.25 ~ 594	600	It is used to convert MIPI raw data to pixel data. Maximum 600 MHz to support up to 4K@60Hz pixel rate.
csiClk1	DPLL	74.25 ~ 297	300	It is used to convert MIPI raw data to pixel data. Maximum 300 MHz to support up to 4K@30Hz pixel rate.
ispClk	DPLL	74.25 ~ 594	600	isp8000 IP core clock. Maximum 600 MHz to support up to 4K@60Hz pixel rate.
beClk	DPLL	74.25 ~ 150	400	ISP post processing blocks' main clock. Maximum 400 MHz to support up to 4K@30Hz pixel rate.
refClk	XTAL	25MHz	25	It is used for memory repair, scan and phyCfgClk.
Txclkesc	DLL	2M ~ 20M*	200	It is used for both isp8000 IP AHB clock and clock source (Internal clock divider will divide it to clock between 2 to 20MHz) as DPHY txclkesc. DPHY lane0 LPTX clock in external loop test mode.
sclClk	DPLL	300 ~ 800	800	ISP post scaling down block's main clock. Since it is used as a co-processing engine, customer hopes it can run as fast as possible. So, the maximum clock is set to 800 MHz to balance both power and performance.
sysClk	DPLL	follow SOC	525	DMA and memory interface clock.
scanByteClk	DPLL	312.5MHz	312.5	It is used for at-speed capture clock for DPHYRX0 & DPHYRX1 byteclk loading.
cfgClk	DPLL	follow SOC	100	AHB and BIU configuration blocks' clock.

Although all ISP post-processing modules can use different clock separately, a shared beClk is used to simplify ispSS clock scheme. The backend downscaler module has its own clock because customers hope it can work as a scalar engine to run as faster as possible.

Except for byteClk0 and byteClk1, other clock's frequency can be adjusted base on application's performance and power requirements.

## 13.4. ISP Pixel Data Formats

Table 2 contains the details of the ISP Pixel data format.

Table 2. ISP Data-path Block Pixel Format

Path	Type	Format	Compress
D4C1CSI	Interface	RAW-10, RAW-12, RAW-16	N/A
		Stagger 2/3 virtual channel HDR	
D4C1CSI	Interface	RAW-10, RAW-12, RAW-16	N/A
isp.MCM to/from DDR	FrameBuffer	RAW DWA-10, RAW QWA-12, RAW-16	Yes
isp.3DNR to/from DDR	FrameBuffer	RAW QWA-12	Yes
isp.SP2 to DDR	FrameBuffer	YUV420 SP-8, SP-10	No
		YUV422 Pack-8, Pack-10	
		YUV/RGB 444-8 (NHWC)	
isp.MP to DDR	FrameBuffer	YUV420 SP-8, SP DWA-10	Yes
		YUV422 SP-8, SP DWA-10	Yes
		YUV422 Pack-8	Yes
		YUV422 Pack-10	No
		YUV/RGB 444-8 (NHWC)	No
		RAW DWA-10, QWA-12, 16 (for debugging)	No
isp.MP to be.Dnscl	Interface	YUV422-8, -10	N/A
		<sup>1</sup> YUV420-8, -10	
		YUV/RGB 444-8	
isp.SP1 to be.Tiling	Interface	YUV422-8, -10	N/A
		<sup>1</sup> YUV420-8, -10	
		YUV/RGB 444-8	
be.Tiling to DDR	FrameBuffer	YUV420 SP-8, SP DWA-10	Yes
		YUV420 SP-10	No
		YUV420 SP-V8H8-8	Yes
		YUV420 SP-V8H6-10	Yes
		YUV422 SP-V8H8-8	Yes
		YUV422 SP-V8H6-10	Yes
		YUV422 Pack-8	Yes
		YUV422 Pack-10	No
		YUV/RGB 444-8 (NHWC)	Yes
be.Dnscl from DDR	FrameBuffer	YUV420 SP-8, SP DWA-10	Yes
		YUV422 SP-8, SP DWA-10	Yes
		YUV422 Pack-8	Yes
		YUV422 Pack-10	No
		YUV/RGB 444-8 (NHWC)	Yes

Table 2. ISP Data-path Block Pixel Format (Continued)

Path	Type	Format	Compress
be.Dnscl to DDR	FrameBuffer	YUV420 SP-8, SP-10	No
		YUV422 Pack-8, Pack-10	
		YUV/RGB 444-8 (NHWC)	
be.Dwarp from DDR	FrameBuffer	YUV420 SP-V8H8-8	Yes
		YUV420 SP-V8H6-10	Yes
		YUV420 SP-V6H8-10	Yes
		YUV422 SP-V8H8-8	Yes
		YUV422 SP-V8H6-10	Yes
be.Dwarp to DDR	FrameBuffer	YUV420 SP-V8H8-8	No
		YUV420 SP-V8H6-10	
		YUV420 SP-8, SP-10	
		YUV422 SP-V8H8-8	
		YUV422 SP-V8H6-10	
		YUV422 Pack-8	
		YUV422 Pack-10	
be.DeTile from DDR	FrameBuffer	YUV420 SP-V8H8-8	No
		YUV420 SP-V8H6-10	
		YUV422 SP-V8H8-8	
		YUV422 SP-V8H6-10	
be.DeTile to DDR	FrameBuffer	YUV420 SP-V8H8-8	Yes
		YUV420 SP-V6H8-10	Yes
		YUV420 SP-DWA-10	No
		YUV420 SP-8	No

1. For pixel interfaces between ispCore and BE blocks, 420 signals are indeed supported by ispCore sending out 422 data, while BE blocks will ignore odd or even line chroma channel data to convert to 420 data.

## 13.5. ISP Power Consideration

To reduce dynamic power as much as possible, each functional block has clock gating control and bus isolation.

## 14. Video Post Processing (VPP)

### 14.1. Overview

The VPP (video post processing) module in SL1680 device loads up to 4 planes of video or graphics data from DRAM frame buffers at the desired refresh rate, converts various input format/resolution into target format and resolution, position and finally blends the associated planes to form following video outputs:

- HDMI TX output – up to UHD(3840x2160) resolution @ maximum refresh rate of 60P over HDMI2.1 Transmitter
- MIPI TX output – up to UHD(3840x2160) resolution @ maximum refresh rate of 30P over MIPI-DSI Transmitter
- HDMI RX output – up to UHD(3840x2160) resolution @ maximum refresh rate of 60P over HDMI2.1 Receiver
- Supports 12bpc video processing pipe
- Supports SDR to HDR conversion and vice-versa

Downloaded by Anonymous () on 5 Jan 2026 21:34:44 UTC

Figure 1 illustrates the VPP pipe-line structure in SL1680.

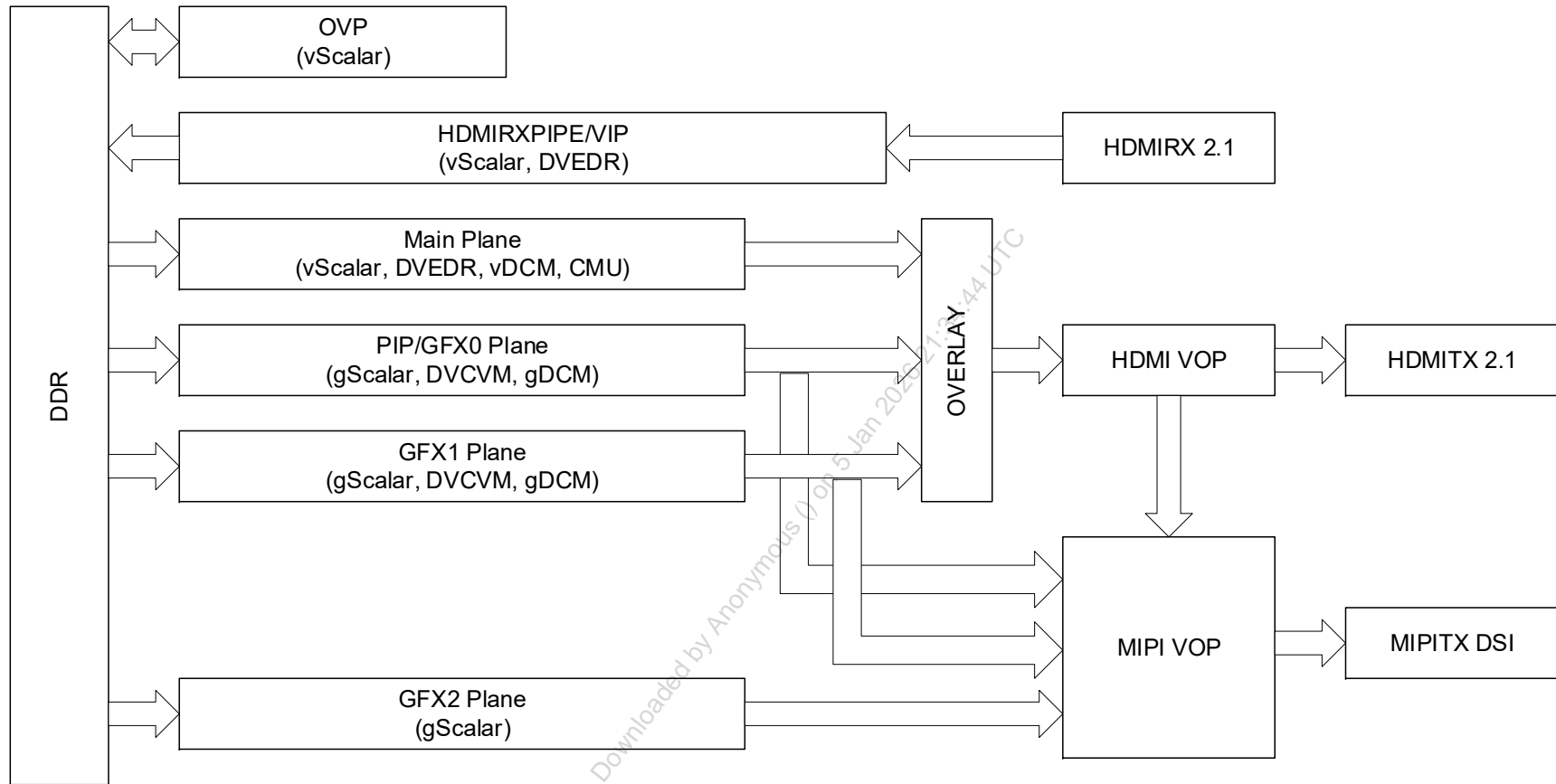


Figure 1. High-level Block Diagram of the SL1680 VPP Engine



The video post processing engine in SL1680 has the following stages:

- Data loading
- Format conversion
- Scaling
- Blending
- Output

In the data loading stage (dHub<sup>1</sup>), video and graphics data are loaded from DRAM buffers. For each of the input plane, there is one SRAM-based anti-jitter buffer to tolerate the DRAM bandwidth fluctuations. The allocation of the SRAM between planes can be re-configured for different applications through software programming.

The VPP supports four plane inputs with format support as shown in [Table 1](#).

*Table 1. VPP Supported Plane Inputs with Format Support*

Plane	Input Data Format	BPC	BPP	Resolution	MFR
Main Video	YUV444-Pack DWA	10	30	4K	60P
	YUV422-SP DWA	10	20	4K	60P
	YUV420-SP DWA	10	20	4K	60P
	YUV444-Pack	8, 10	24, 30	4K	60P
	YUV422-Pack	8, 10, 12	16, 20	4K	60P
	ARGB8888	8	32	4K	60P
	ARGB2101010	—	32	4K	60P
	RGB888 Pack	8	24	4K	60P
	RGB888 Planar	8	24	4K	60P
Main Video	YUV/IPT 4:2:0 (Tiled420SP-Progressive)	8, 10	12, 16	4K	60P
	YUV/IPT 4:2:0 (420SP)	8, 10	12, 15	4K	60P
PIP (Video)/GFX0 (Graphics)	YUV 4:2:2-Pack	8, 10	16, 20	4K	60P
	YUV 422-SP DWA	10	20	4K	60P
	YUV444-Pack	8, 10	24, 30	4K	60P
	YUV444-Pack DWA	10	30	4K	60P
	YUV 4:2:0 (420SP)	8, 10	12, 15	4K	60P
	YUV/IPT 4:2:0 (Tiled420SP-Progressive)	8, 10	12, 16	4K	60P
	CLUT8	—	8	4K	60P
	ARGB8888	8	32	4K	60P
	RGB565	—	16	4K	60P
	ARGB1555	—	16	4K	60P
	ARGB4444	—	16	4K	60P
	ARGB2101010	—	32	4K	60P
	ARGB8332	—	16	4K	60P
	RGB888	8	24	4K	60P

1. Data Streaming Hub (dHub) is the multi-channel DMA Engine of SL1680.  
BPC is Bits Per Component  
BPP is Bits Per Pixel  
MFR is Maximum Frame Rate

Table 1. VPP Supported Plane Inputs with Format Support (Continued)

Plane	Input Data Format	BPC	BPP	Resolution	MFR
GFX1 (Graphics)	CLUT8	—	8	4K	60P
	ARGB8888	8	32	4K	60P
	RGB565	—	16	4K	60P
	ARGB1555	—	16	4K	60P
	ARGB4444	—	16	4K	60P
	ARGB2101010	—	32	4K	60P
	ARGB8332	—	16	4K	60P
	RGB888	8	24	4K	60P
GFX2 (Graphics)	CLUT8	—	8	4K	60P
	ARGB8888	8	32	4K	60P
	RGB565	—	16	4K	60P
	ARGB1555	—	16	4K	60P
	ARGB4444	—	16	4K	60P
	ARGB2101010	—	32	4K	60P
	ARGB8332	—	16	4K	60P
	RGB888	8	24	4K	60P

SL1680 has six scalars in the scaling stage – the Main video (1d-Scalar), HDMI-Rx pipe (1d-Scalar), OVP scalar(1d-Scalar), PIP /Graphics (Graphics Scalar), Graphics (Graphics Scalar) planes can be scaled before they are selected for blending (blending stage).

In the blending stage, the main blender (CPCBO) can select any of the 3 input planes and blend them into one output (PROGO). The Z-order of the blending is completely programmable through the layer-to-plane selection inside the blenders.

In the output stage, the output of main blenders (CPCBO) can be directed to HDMI or MIPI transmitter output port. MIPI transmitter output port optionally can be fed with data from one of Graphics scaling stage through output stage.

The VPP supports the following video output interfaces:

- HDMI 2.1 compliant, supports 480i/p, 576i/p, 720p, 1080i/p, 3840x2160p (4K60p)
- MIPI DSI compliant, supports up to 3840x2160p (4K30p)

## 14.2. VPP Functional Description

This section describes all the functions of VPP in detail.

### 14.2.1. Main Video Plane

#### 14.2.1.1. Feature List

- Input format
  - YUV422 packed 8/10/12-bit
  - YUV(IPT)420 semi-planar raster scan 8/10-bit
  - YUV(IPT)420 semi-planar tiled 8/10-bit
  - YUV444-Pack DWA 10-bit
  - YUV422-SP DWA 10-bit
  - YUV420-SP DWA 10-bit
  - YUV444-Pack, 8/10-bit
  - ARGB8888/ARGB2101010
  - RGB888 Pack
  - RGB888 Planar
- Rotation, Flip support:

Plane	Input Data Format	90,180, 270 Degree Rotation	H-Flip V-Flip HV-Flip
Main Video	YUV444-Pack DWA 10-bit YUV422-SP DWA 10-bit YUV420-SP DWA 10-bit YUV444-Pack, 8/10-bit ARGB8888/ARGB2101010 RGB888 Pack RGB888 Planar	No	Yes
Main Video	YUV 4:2:2	No	Yes
	YUV/IPT 4:2:0 (Tiled420SP)	Only for V4H6, V4H8 formats	Yes
	YUV/IPT 4:2:0 (420SP-Progressive)	No	Yes

- 1D Scalar
  - Input format
    - YUV444 12bit for SDR video path
    - IPT444 12bit for EDR video path
  - Supports inline upscale
  - Supports inline/offline downscale

- Conversion between HDR and SDR: Various conversion between SDR and HDR is supported as shown in [Table 2](#)

Table 2. HDR and SDR Conversions

	SDR	HDR10	HLG
SDR	N/A	Yes	Yes
HDR10	Yes	N/A	Yes
HLG	Yes	Yes	N/A

Downloaded by Anonymous () on 5 Jan 2026 21:34:44 UTC

## 14.2.2. PIP (Video)/Graphics Planes

### 14.2.2.1. Feature List

- Two planes
  - One [GFX0] can be used for either graphic or PIP video
  - The other two [GFX1/2] are graphic only
- Graphic input formats - ARGB32 or ARGB32 with alpha-pre-multiplied, RGB565, ARGB1555, ARGB4444, ARGB2101010, ARGB8332, CLUT8 and RGB888
  - Up to 1920x1080 - when vertical scaling is enabled
  - Up to 3840x2160 when vertical scaling is disabled (horizontal-only scaling or bypass)
- PIP input formats
  - YUV422 packed 8/10/12-bit
  - YUV420 semi-planar raster scan 8/10/12-bit
  - YUV420 semi-planar tiled scan 8/10-bit (Up to 3840x2160)
  - YUV422 SP DWA 10-bit
  - YUV444 Pack DWA 10-bit
  - Up to 1920x1080 - when vertical scaling is enabled
  - Up to 3840x2160 when vertical scaling is disabled (horizontal-only scaling or bypass)
  - Progressive only.
- GFX Scalar
  - 4 channels for A, R, G and B
  - Up to 1920x1080 - when vertical scaling is enabled
  - Up to 3840x2160 when vertical scaling is disabled (horizontal-only scaling or bypass)
  - Upscale Mode -
    - Maximum input resolution: 1920x1080
    - Maximum output resolution: 3840x2160
  - DownScale Mode
    - Maximum input resolution: 1920x2160
    - Maximum output resolution: 1920x2160
  - Horizontal-only upscale mode
    - Maximum input resolution: 3840x2160
    - Maximum output resolution: 3840x2160
  - Horizontal-only downscale mode
    - Maximum input resolution: 3840x2160
    - Maximum output resolution: 3840x2160
  - Bypass (no scaling) mode
    - Maximum input/output resolution: 3840x2160
    - Performance: one pixel per cycle

- Rotation Support:

Plane	Input Data Format	90,180, 270 Degree Rotation	H-Flip V-Flip HV-Flip
PIP(Video)/GFXO(Graphics)	YUV 4:2:2	No	Yes
	YUV 4:2:0 (420SP)	No	Yes
	YUV/IPT 4:2:0 (Tiled420SP-Progressive)	Only for V4H6, V4H8 formats	Yes
	ARGB8888, RGB565, ARGB1555, ARGB4444, ARGB2101010, ARGB8332	No	Yes
GFX1/GFX2 (Graphics)	ARGB8888, RGB565, ARGB1555, ARGB4444, ARGB2101010, ARGB8332	No	Yes

### 14.2.3. 1D Scaler (Video Scaler)

The main features of the 1D Scaler include:

- Scaling the input frame to fit the display resolution or the user-specified resolution.
  - Interpolation, Reduction, 1:1
  - Supports video scaling.
  - Independent horizontal and vertical scaling ratios.
- Non-linear 3 zones scaling for preserving aspect ratio.
- Main scaler can convert progressive input to interlace output. For interlace output, scaler's vertical initial phase and vertical tap offset needs to be firmware programmed per frame (even and odd frames) based on input and output resolution.
- Main Video Plane
  - I/O Format
    - YUV444, 12b'YUV444, 12b
    - IPT444, 12b'IPT444, 12b
  - 1-D upscale
    - Input up to 3840x2160
    - Maximum output 3840x2160
    - 3 vertical taps; 5 horizontal taps for input horizontal resolution bigger than 1920
    - 6 vertical taps; 8 horizontal taps for input horizontal resolution not bigger than 1920
    - 32 phases
  - 1-D downscale
    - Input up to 3840x2160
    - Minimum output 640x480
    - 3 to 6 vertical taps; 5 to 8 horizontal taps
    - 32 phases
  - Offline support

The scaler loads the data from Format Conversion stage and outputs the scaled data to Blending stage directly.

### 14.2.4. Graphics Scaler

The main features of the Scaler include:

- General
  - 4 channels for A, R, G and B
  - alpha-pre-multiplied format is scaled as-is
  - 32 phases, with 10-bit coefficients (including sign bit)
  - coefficients stored in register file (48x80b)
  - Interpolation, Reduction, 1:1
  - Progressive input to Progressive/Interlaced output.
  - Independent horizontal and vertical scaling ratios.
  - 8-tap horizontal filter
- Non-linear 3 zones scaling for preserving aspect ratio.
- Upscale mode
  - Maximum input resolution: 1920x2160
  - Maximum output resolution: 3840x2160
  - Up-scale ratio: 1-to-1 to 1-to-6
  - 4-tap vertical filter for input width <=1440
  - 3-tap vertical filter for input width > 1440
- Downscale mode
  - Maximum input resolution: 1920x2160
  - Maximum output resolution: 1920x2160
  - Down-scale ratio: 1-to-1 to 6-to-1
  - 4-tap vertical filter
- Horizontal-only upscale mode
  - Maximum input resolution: 3840x2160
  - Maximum output resolution: 3840x2160
  - Up-scale ratio: 1-to-1 to 1-to-64
- Horizontal-only downscale mode
  - Maximum input resolution:3840x2160
  - Maximum output resolution:3840x2160
  - Down-scale ratio: 1-to-1 to 64-to-1
- Bypass (no scaling) mode
  - Maximum input/output resolution:3840x2160

### 14.2.5. Component Scalar

- OVP path
  - Used for transcoding or PIP display
  - I/O Format
    - YUV420, 8/10b→YUV420, 8/10b
  - 1-D upscale
    - Input up to 3840x2160
    - Maximum output 3840x2160
    - 3 vertical taps; 5 horizontal taps for input horizontal resolution bigger than 1152
    - 5 vertical taps; 8 horizontal taps for input horizontal resolution not bigger than 1152
    - 32 phases
  - 1-D downscale
    - Input up to 3840x2160
    - Minimum output 640x480
    - Maximum output 1920x1080
    - 3 vertical taps; 5 horizontal taps for input horizontal resolution bigger than 1152
    - 5 vertical taps; 8 horizontal taps for input horizontal resolution not bigger than 1152
    - 32 phases
- HDMI-Rx VIP pipe
  - Used for transcoding or MP/PIP display
  - Combined with YUV420/422/444 format conversion
  - I/O Format
    - YUV420, 8/10/12bÆYUV420, 8/10/12b
    - YUV422, 8/10/12bÆYUV420/422, 8/10/12b
    - YUV444, 8/10/12bÆYUV420/422/444, 8/10/12b
  - 1-D upscale
    - Input up to 3840x2160
    - Maximum output 3840x2160
    - 3 vertical taps; 5 horizontal taps for input horizontal resolution bigger than 1152
    - 5 vertical taps; 8 horizontal taps for input horizontal resolution not bigger than 1152
    - 32 phases
  - 1-D downscale
    - Input up to 3840x2160
    - Minimum output 640x480
    - Maximum output 1920x1080
    - 3 vertical taps; 5 horizontal taps for input horizontal resolution bigger than 1152
    - 5 vertical taps; 8 horizontal taps for input horizontal resolution not bigger than 1152
    - 32 phases



### 14.2.6. CPCB (Overlay and Timing Generator)

The CPCB module mix video and graphics sources into a single image, and output that image according to the timing generator generated timings. The timing generator generates the video format timing reference signals to request pixel data from the processing pipeline and send to the output port

CPCB has its own Timing Generator (TG). The Timing Generator module provides all other modules inside that CPCB with timing reference signals. The basic TG registers that control the generated video format timing are:

- VTOTAL: Total vertical lines including blank lines
- HTOTAL: Total horizontal pixels per line including blank pixels
- HSYNC\_START: Position where horizontal sync is activated with in a line in terms of pixel clocks
- HSYNC\_END: Position where horizontal sync is de-activated with in a line in terms of pixel clocks
- VSYNC\_START: Position where vertical sync is activated with in a frame in terms of lines
- VSYNC\_END: Position where vertical sync is de-activated with in a frame in terms of lines

Apart from the output timing, each plane has its own set of registers to specify the position and size within the total display canvas defined by the PL-8 registers in CPCB0:

- PL\_X\_start: Horizontal start position of the plane in terms of pixels
- PL\_X\_end: Horizontal end position of the plane in terms of pixels
- PL\_Y\_start: Vertical start position of the plane in terms of lines
- PL\_Y\_end: Vertical end position of the plane in terms of lines

#### 14.2.6.1. CPCB0 OSD Overlay

The following are the main features of CPCB0 overlay engine of SL1680:

- Can overlay up-to 3 input planes (2 video planes and 1 graphic planes): pl-1 (Main video), pl-2 (PIP/GFX0), pl-3 (GFX1)
- Each input plane can be of any size
- Each input plane can be put in any location
- For graphic planes, programmable to take alpha from input (per pixel alpha) or from a programmable register (global alpha). For video planes, alpha is programmable from register (global alpha).
- Option to invert the usage of alpha.
- Supports border plane for each input plane: Each input plane has an associated border plane with solid color. The input plane is always above its border plane. The pixel data from input plane and the respective boarder plane are multiplexed before send to OSD Overlay (OO). The global Alpha value for boarder plane can be different from the input plane Alpha.
- Supports cropping for pl-1 (Main video), pl-2 (PIP/GFX0), pl-3 (GFX1) before blending
- Overlay happens in IPT/RGB domain.
- Programmable mapping from plane to overlay layers to facilitate flexible Z-order (order of blending).
- Support alpha-pre-multiplied format
- Alpha-PreMultiplied input format support

Figure 2 is a detailed block diagram of the CPCB0 which consists of CSC in Main Video Plane and OSD overlay (OO).

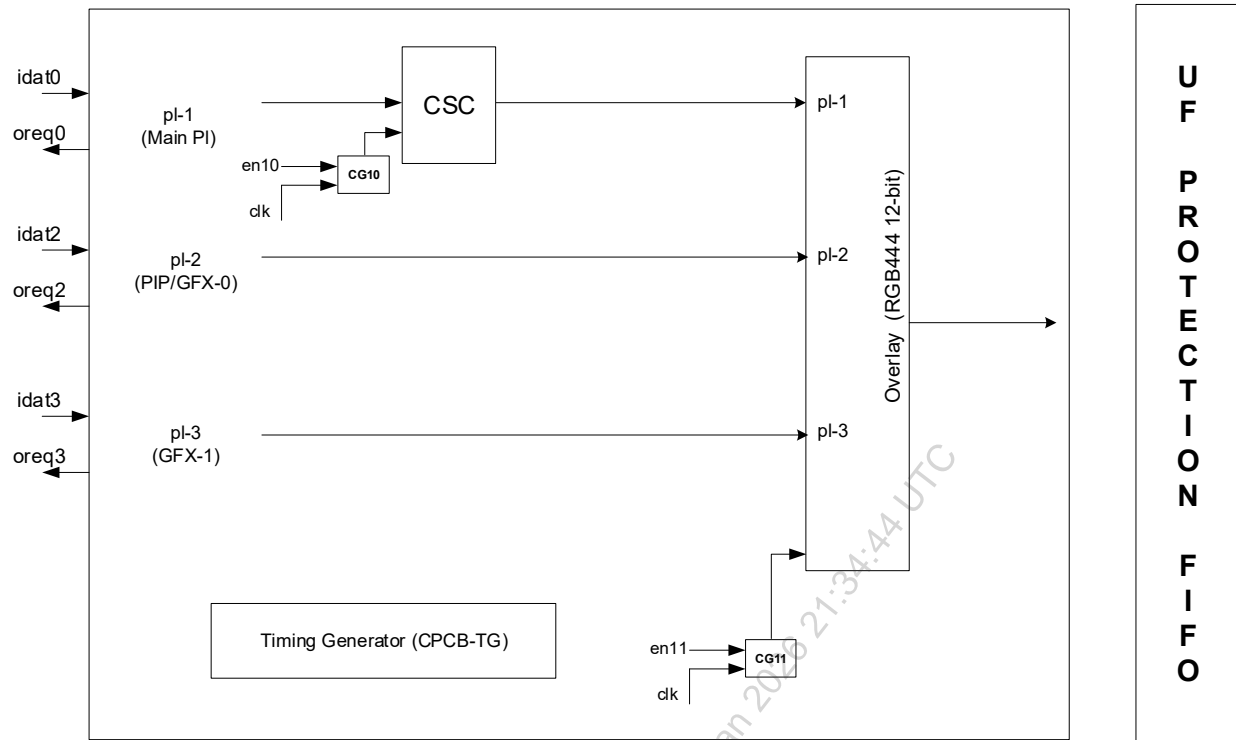


Figure 2. Detailed Block Diagram of CPCBO

The final mixing of main video, PIP/Gfx0 and Gfx1 planes are done at OSD overlay block. [Figure 3](#) illustrates the details of the basic overlay function (OSD Overlay - OO) that is used by CPCBO.

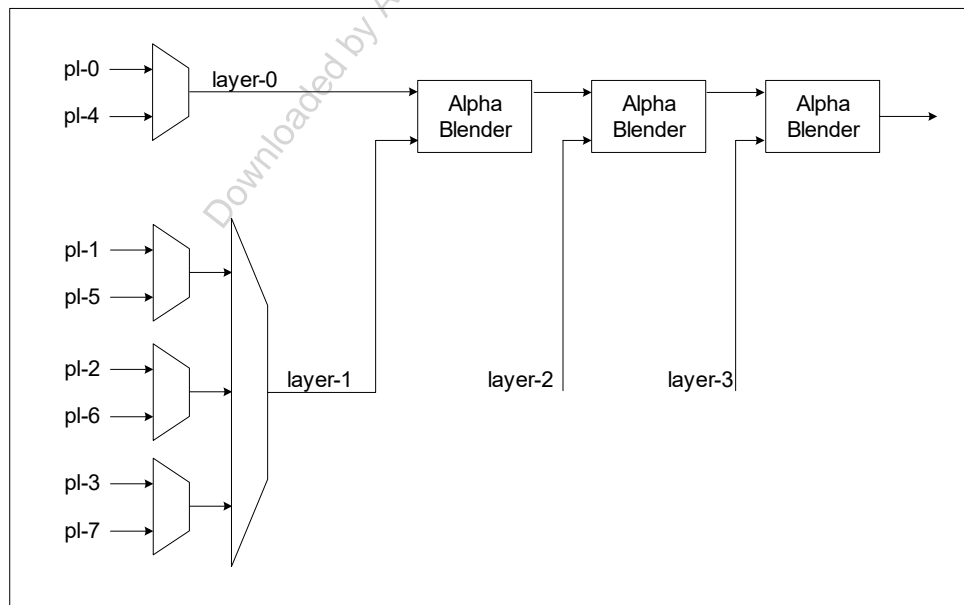


Figure 3. Block Diagram of Overlay Engine which is part of CPCBO

In [Figure 3](#), multiplexer between video and their respective border planes indicate simple data selection between these planes without blending. The “Alpha Blender” module of OSD Overlay implements the following equation for alpha-blending. In the equations below, FGP is fore-ground plane and BGP is back-ground plane participating in the blending function:

Normal Mode operation:

$$\begin{aligned} \text{Alpha Blender Output} &= \alpha * \text{FGP} + (1 - \alpha) * \text{BGP} \text{ (normal alpha sense)} \\ &\quad \alpha * \text{BGP} + (1 - \alpha) * \text{FGP} \text{ (inverted alpha sense)} \end{aligned}$$

Alpha pre-multiplied operation: This mode of overlay is used when graphic pixels are pre-multiplied with alpha (in normal alpha case) and 1-alpha (in inverted alpha case).

$$\begin{aligned} \text{Alpha Blender Output} &= \text{FGP} + (1-\alpha) * \text{BGP} \text{ (normal alpha sense)} \\ &\quad \text{FGP} + \alpha * \text{BGP} \text{ (inverted alpha sense)} \end{aligned}$$

[Table 3](#) describes the source of different CPCBO planes.

*Table 3. Source of Different CPCBO Planes*

CPCBO Plane	Description	Source
pl-0	Base plane	Solid color from Register
pl-1	Main	From video processing pipe
pl-2	PIP/Gfx0	From video processing pipe
pl-3	Gfx1	From video processing pipe
pl-4	Border for pl-0 (overall display canvas)	Solid color from Register
pl-5	Border for pl-1	Solid color from Register
pl-6	Border for pl-2	Solid color from Register
pl-7	Border for pl-3	Solid color from Register

The order-of-overlay (Z-order) is completely programmable through the layer selection. Layer1 is the bottom-most layer (above layer0 which is the base-plane), and layer3 is the top-most layer. There is a 3-bit select control provided for each of the 3 layers (layer1 to layer3). Any of the input planes can go to any of the layers. For example, the following shows one kind of Z-order:

- Layer1: pl-3 (Gfx1)
- Layer2: pl-1 (Main)
- Layer3: pl-2 (PIP/Gfx0)

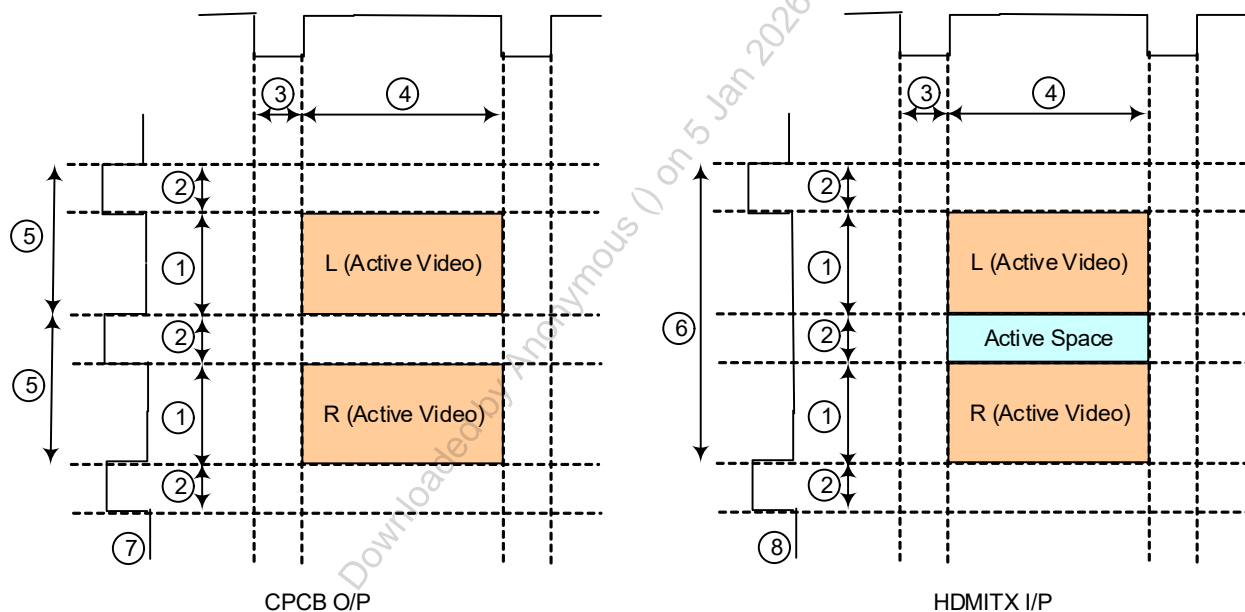
There is a restriction of the input layer selections and plane routings for CPCBs: When one layer on CPCB is not used, it needs to be disabled by setting the layer control register to 7.

## 14.2.7. 3D-HDMI Formatter

### 14.2.7.1. Functional Description of 3D-HDMI Formatter

Following are the features which 3D-HDMI formatter supports:

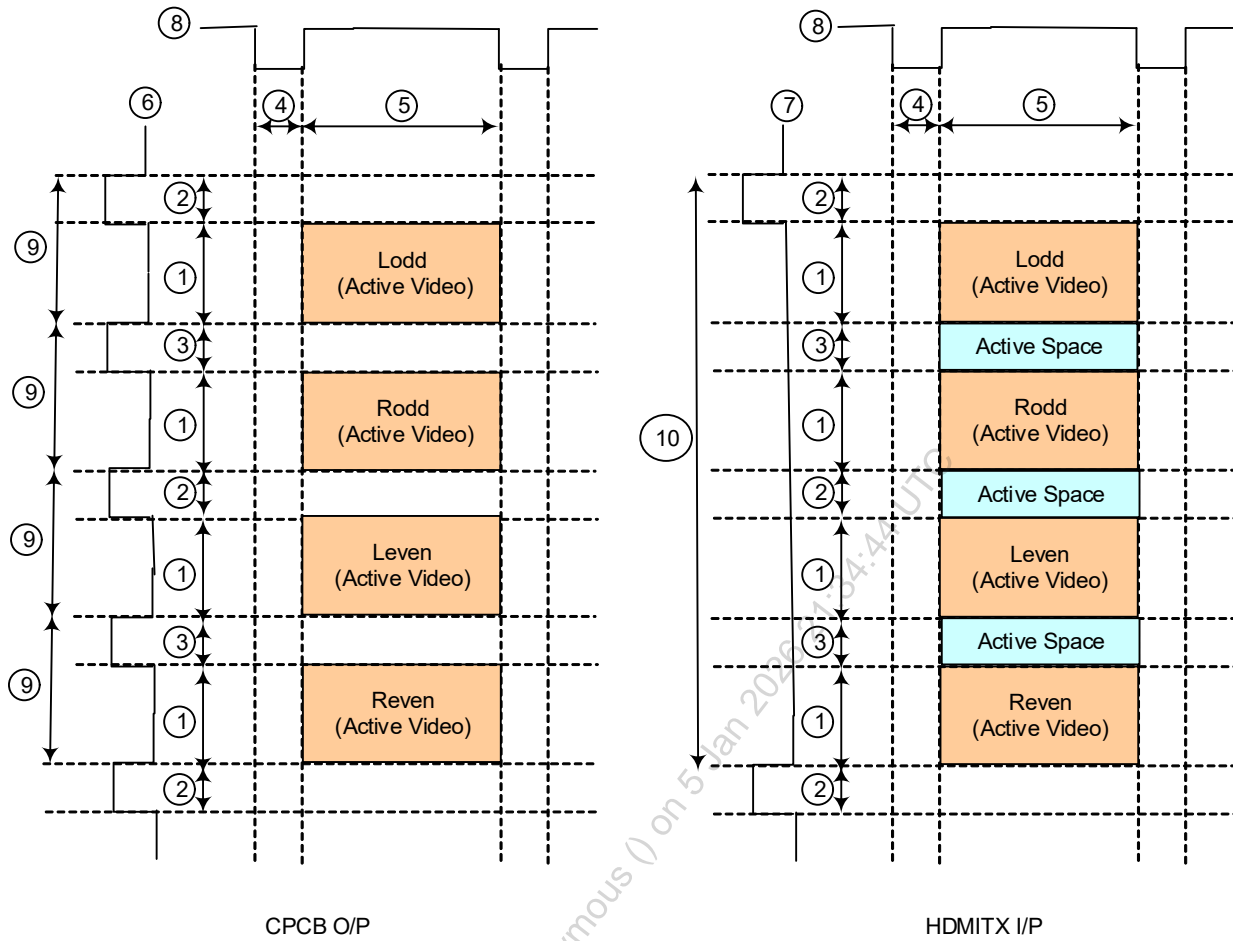
- 3D progressive, interlaced format.
- the following 3D formats:
  - Frame packing for progressive (HDMI 3D format).
  - Frame packing for interlaced (HDMI 3D format).
  - Field Alternative for interlaced (HDMI 3D format).
- Programmable View Signal generation using any of the following ways:
  - One Time Programming Mode.
    - Hardware implements a register field which software loads, to indicate whether current frame is L/R(3D-P), Lodd/Rodd/Leven/Reven(3D-I) frame. Subsequent to loading H/W increments (modifies) this field on VDE (Active High) negative edge to generate View signal.
  - Continuous Programming Mode.
    - Software provides a register field which is used by hardware to completely control View signal. Hardware loads this field into internal View signal on VDE negative edge.



**Parameter details:**

1. Input Vactive
2. Input Vblank
3. Input Hblank
4. Input Hactive
5. Input VFreq
6. Output VFreq
7. Input Frames/Sec, Input Vsync
8. Output Frames/Sec, Output Vsync

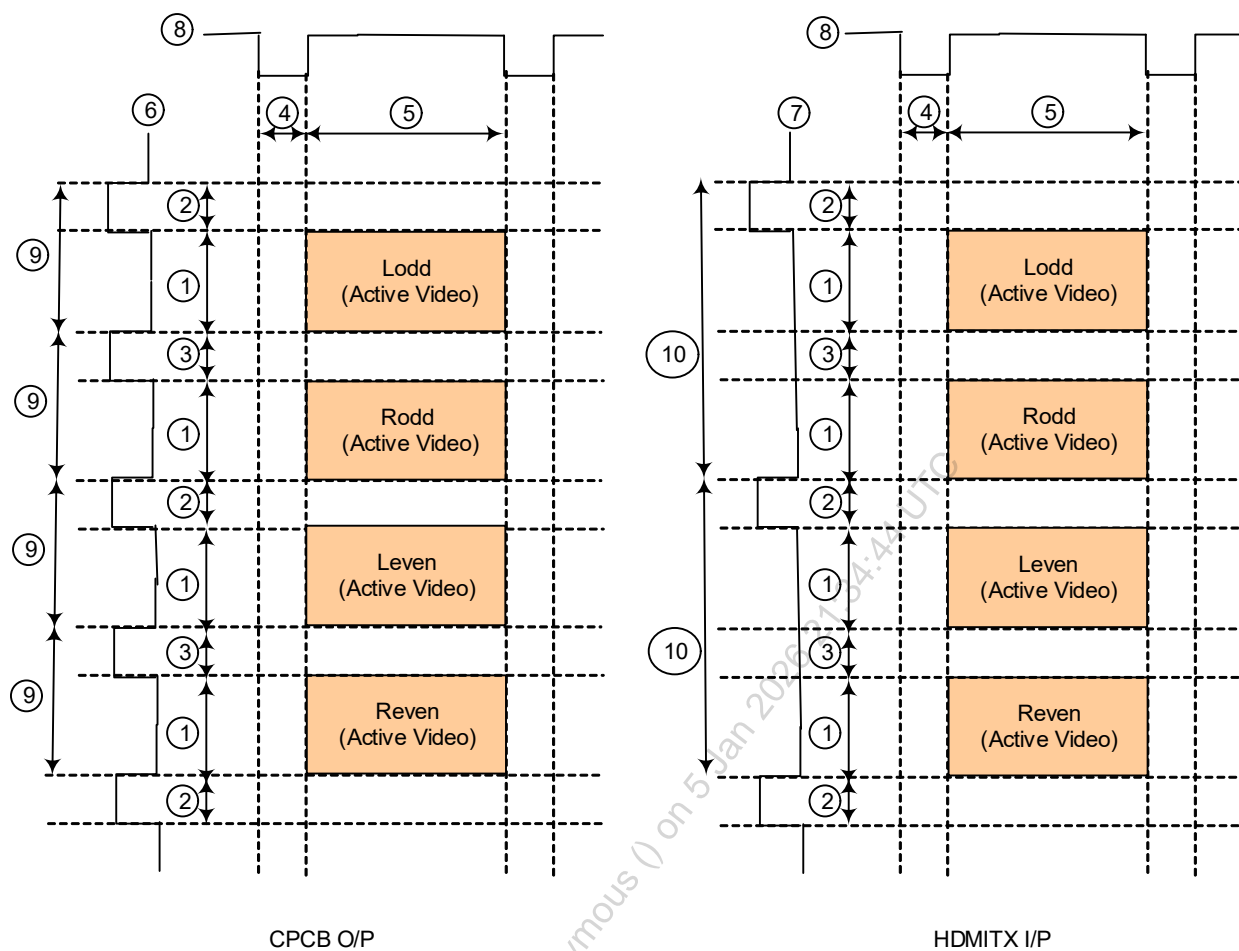
Figure 4. Structure (Frame Packing for Progressive Format)



**Parameter details:**

1. Input Vactive Period
2. Input Vblank1 [Vblank-0.5line] period
3. Input Vblank2 [Vblank+0.5line] period
4. Input Hblank
5. Input Hactive
6. Input Vertical Blanking Signal
7. Output Vertical Blanking Signal
8. Hsync
9. Input VFreq
10. Output VFreq

Figure 5. Structure (Frame Packing for Interlaced Format) Vactive per (Lodd+Rodd+Leven+Reven)



**Parameter details:**

1. Input Vactive Period
2. Input Vblank1 [Vblank-0.5line] period
3. Input Vblank2 [Vblank+0.5line] period
4. Input Hblank
5. Input Hactive
6. Input Vertical Blanking Signal
7. Output Vertical Blanking Signal
8. Hsync
9. Input VFreq
10. Output VFreq

Figure 6. Structure (Field Alternative for interlaced format) Vactive per (Lodd+Rodd,Leven+Reven)

## 14.2.8. Video Output Stage (VOP) – HDMI

### 14.2.8.1. Feature List

- Input from overlay is IPT/RGB444 12-bit
- TG is put after underflow-protection FIFO
- Color space conversion to support YUV format
- Down sampler to support YUV422 and YUV420
- Support 640x480p, 720x480p, 720x576p, 3840x2160, 1080p, 1080i, 720p
- DV EDR over HDMI for DV capable sink
  - Pixel format is YUV(IPT)422 12bit
  - metaData is carried using one or more packets, each packet containing 128 bytes
  - Bit scrambling with luma/chroma data
  - metaData is transmitted bit-by-bit onto the LSB of each 12-bit Chroma sample
- DV EDR over HDMI for HDR10/SDR sink
  - Pixel format is YUV422/YUV444 8/10-bit after DV dithering
  - DV metaData over HDMI
- Interlaced output support
  - No H/W interlacer
  - Software programs scalars to make the output height half of the input height; for 1080i, scalar output will be 1920x540
  - Software needs to adjust the initial phase for top and bottom fields differently
- One display pipeline for HDMI-TX

## 14.2.9. Video Output Stage (VOP) – MIPI

### 14.2.9.1. Feature List

- Input can be from any one of HDMI VOP, PIP/GFX0 plane, GFX1 plane, GFX2 plane
- Input is IPT/RGB444 12-bit
- TG is put after underflow-protection FIFO
- Color space conversion to support YUV format
- Dither to support 8/10bpc
- Support 640x480p, 720x480p, 720x576p, 3840x2160, 1080p, 1080i, 720p
- One display pipeline for MIPI-TX

### 14.3. HDMI Transmitter

HDMI Tx supports the following features:

- Video formats:
  - All CEA-861-E video formats up to 1080p at 60 Hz and 720p/1080i at 120 Hz
  - Optional HDMI 1.4b video formats: (configuration dependent)
    - All CEA-861-E video formats up to 1080p at 120 Hz
    - HDMI 1.4b 4K x 2K video formats
    - HDMI 1.4b 3D video modes with up to 340 MHz (TMDS clock)
  - Optional HDMI 2.0 video formats: (configuration dependent)
    - All CEA-861-E video formats
    - Dynamic Range and Mastering Infoframe (DRM, packet header 0x87)
- Colorimetry:
  - 24/30/36-bit RGB 4:4:4
  - 24/30/36-bit YCBCR 4:4:4
  - 16/20/24-bit YCBCR 4:2:2
  - 24/30/36-bit YCBCR 4:2:0
- Optional HDMI 1.4b supported Infoframes:
  - Audio InfoFrame packet extension to support LFE playback level information
  - AVI InfoFrame packet extension to support YCBCR Quantization range (Limited Range, Full Range)
  - AVI InfoFrame packet extension to support Content type (Graphics, Photo, Cinema, Game)
  - NTSC VBI InfoFrame packet extension to support the carriage of SCTE 127 [29] payloads containing VBI data
- Audio formats:
  - I2S
- Up to 192 kHz IEC60958 audio sampling rate
  - For IEC61937 compressed audio
    - HDMI 2.0b: up to 1536 kHz
    - HDMI 1.4b: Up to 768 kHz
- Pixel clock from 25MHz up to 600 MHz
- Option to remove pixel repetition clock (prepclk) from HDMI Tx interface for an easy integration with third-party HDMI Tx PHYs
- Flexible synchronous enable per clock domain to set functional power down modes
- I2C DDC, EDID block read mode
- SCDC I2C DDC access
- TMDS Scrambler to enable support for 2160p@60Hz with RGB/YCBCR 4:4:4 or YCBCR 4:2:2
- YCBCR 4:2:0 support to enable 2160p@60Hz at lower HDMI link speeds
- Support for HDR10+, Dynamic HDR Metadata



## 14.4. HDMI Receiver

The HDMI-Rx supports the following features:

- HDMI Compliance
  - o 2.0
    - SCDC I2C DDC access
    - TMDS Scrambler to enable support for 2160 p@60 Hz with RGB/YCbCr 4:4:4 or YCbCr 4:2:2
    - YCbCr 4:2:0 support to enable 2160 p@60 Hz at lower HDMI link speeds
    - Character Error Detection
    - Multi-stream Audio Support (Multi-stream Audio Sample and One Bit Multi-stream)
    - Audio rates up to 1536 kHz for HBR audio
  - o 1.4b
    - HDMI 1.4b has a maximum resolution to 4K × 2K (3840×2160 p@24 Hz/25 Hz/30 Hz and 4096×2160 p@24 Hz), an HDMI Ethernet Channel (HEC), and introduces an Audio Return Channel (ARC), 3D Over HDMI, a new Micro HDMI Connector, expanded support for color spaces, with the addition of sYCC601, Adobe RGB and Adobe YCC601, and an Automotive Connection System.
    - It also supports several stereoscopic 3D formats including field alternative (interlaced), frame packing (a full resolution top-bottom format), line alternative full, side-by-side half, side-by-side full, 2D + depth, and 2D + depth + graphics + graphics depth (WOWvx), with additional top/bottom formats added in version 1.4b.
  - o For more information, you can find the specifications on the HDMI.org website.
- Supported video formats:
  - o RGB 4:4:4
    - 8-bit normal color mode
    - 10-, 12- deep color mode
  - o YCBCR 4:2:2 with 8-, 10-, and 12-bit color depth
  - o YCBCR 4:4:4
    - 8-bit normal color mode
    - 10-, 12- deep color mode
  - o YCBCR 4:2:0 with 8-, 10-, 12-, color depth
  - o All 3-D video formats (HDMI 1.4b)
  - o Up to 4K x 2K video formats (HDMI 1.4b)
  - o All CEA-861-F video formats (HDMI 2.0)
  - o All CTA-861-G video formats (HDMI 2.1)
- Gamut metadata reception
  - o Gamut boundary descriptions and gamut metadata is carried using the Gamut Metadata Packet, and profiles P0, P1, P2, and P3 are supported. The following video formats must be accompanied with the transmission of the Gamut metadata: xvYCC601/xvYCC709/ sYCC601/AdobeRGB/AdobeYCC601
- Receipt of compressed and uncompressed encoded audio data
  - o L-PCM
  - o L-PCM multi-channel
  - o Standard bit-rate compressed audio
  - o High Bit-Rate (HBR) compressed audio
  - o Multi-stream Audio (multi-stream audio sample and one-bit multi-stream)

## 14.5. eARC-RX

- eARC-RX Key Features
  - Supports the uncompressed audio up to 36.864 Mbps (for 192-kHz 8-channel 24-bit L-PCM)
  - Supports the compressed audio up to 24.576 Mbps
  - Backward compatible with HDMI 1.4 ARC
  - Supports error correction by BCH (32, 24) coding for compressed audio
  - Manages eARC channel control using a half-duplex
  - eARC common mode data channel; management includes discovery process, EDID
  - Biphasemark coding for the differential mode audio channel and the bi-directional half-duplex common mode data channel
  - Audio Interface to SoC
    - 8-channel I2S
    - 6-channel DSD
    - S/PDIF

## 14.6. HDCP

- HDCP Compliance
  - 1.4
    - According to HDMI 2.1 Specification, support to this HDCP encryption/decryption method is not possible.
    - For HDMI 2.0 and lower version Specifications, HDCP 1.4 content protection engine can be optionally configured as HDMI Repeater, supporting one or more downstream devices.
  - 2.x
    - HDCP 2 Embedded Security Module IP interfaces with the HDMI-Rx Controller.
    - Support HDMI streams up to 48Gbps (maximum data cipher throughput of 42.7Gbps for HDMI operation).
    - Transmitter/Receiver and Repeater support.

## 14.7. Video Input Processing

### 14.7.1. Feature List

- Serve as input pipe for HDMI-Rx, offline scalar, and test path for HDMI-Tx
- Input resolution up to 3840x2160@60Hz
- Data format in DDR is YUV(IPT)422-pack 8/10/12-bit, YUV(IPT)420-SP 16-bit, YUV444-Pack 10/12-bit

## 14.8. OVP Scalar Path

### 14.8.1. Feature List

- 1D frame-based processing on YUV420 domain with 10-bit precision
- Creates scaled frame buffer to be used by transcoding or PIP display
- Separate setting (phase/coefficient/ratio/...) for Y/C
- Input Formats: YUV422 Packed 12-bit, YUV420 semi-planar raster-scan or tiled 8/10-bit
- Output Formats: YUV420 semi-planar raster-scan 8/10-bit, YUV420 SP 10-bit DWA, RGB888 Planar

## 14.9. Pipeline Control

This section describes a few important aspects related to VPP such as DRAM Interface, VBI programming, Interrupts, and so on.

### 14.9.1. Register Interface

All the VPP registers are accessible from CPU through internal AHB bus on 32bit boundary. It takes up 128KB address space in total.

In some applications (for example, a smooth scaling effect coupled with synchronized graphics overlay animation), a large number of VPP register needs to be reprogrammed during the video blank time. In order to achieve this without heavy loading on CPU interrupt routine, SL1680 has a DMA-channel to program the VPP related registers. It helps to program the registers at the maximum speed. To use this feature, CPU prepares the register programming data in DRAM (address, data pairs) and then kick off the DMA programming channel during video blanking interval so that VPP registers are programmed in a seamless way without disturbing the output.

### 14.9.2. DRAM Interface

VPP loads all frame data from DRAM. For HDMITX VOP, one DMA engines (dHub0/vppDHub) interface VPP to DRAM controller through 128-bit AXI bus at 600MHz. For MIPITX VOP, another DMA engines (dHub1/aioDHub) interface VPP to DRAM controller through 64-bit AXI bus at 400MHz.

### 14.9.3. Interrupt Scheme

All the VPP related interrupts are segregated by dHub engines and sent to SoC Interrupt Controller (PIC) and routed to CPUs. The following VPP events can be turned on to generate interrupts:

- HDMITX/MIPITX VBI Start
- HDMITX/MIPITX Start of active-video event
- Offline Downscale Pipe or HDMIRx pipe (End of Frame Interrupt)
- OVP Pipe (End of Frame Interrupt)
- BCM Invalid Request Interrupt
- HDMITX Interrupt events (Controller, Sink Detect)
- HDMIRX Interrupt events (Controller, HPD)
- HDCP (ESM, TRNG)
- eARC (Rx)
- Audio Interrupts (I2S, SPDIFRx)

## 14.10. AVPLL

SL1680 uses four (2x-Audio, 2x-Video) AVPLL (Audio-Video PLL) to generate all the audio-video clocks. All the clock sources are generated through internal AVPLLs locked to a 25MHz crystal oscillator. All required frequencies for driving audio and video output from 20MHz to 594MHz can be generated through the AVPLL. The AVPLL is programmable with Fractional-N divider, it has a 24bit Fractional Divider Value. The AVPLL generated clock can be locked to the input source yet adjusted to a fine-degree of precision of near 1PPB resolution. The adjustment can be made through AVPLL register interface. The video output timing generators can be driven by independent clock source for each of HDMITX and MIPITX.

Downloaded by Anonymous () on 5 Jan 2026 21:34:44 UTC

## 15. Audio Input Output

### 15.1. Overview

The main functions of the Audio input-output (AIO) module are:

- To transmit the audio stream prepared in DRAM by firmware in supported audio formats (Output path from dHub) through I2S/SPDIF pins.
- To receive different audio input streams through I2S/PDM/SPDIF pins, de-serialize, pack, and store in DRAM (Input paths to dHub).

Table 1. Audio Inputs/Outputs in SL1680

S.no	Name	Description
1	Primary Audio Output (PRI)	Up to 8 channel audio in I2S mode or 2/4/6/8 Channel in TDM mode is transmitted through I2S pins. For this port, 4 I2S transmitter is enabled.
2	SPDIF Audio output. (SPDIF-TX)	SPDIF transmitter is connected to chip output. 2 channel audio data are transmitted in IEC60958 mode or 8 channel compressed audio data are transmitted in IEC61937 mode.
3	SEC Audio Output (SEC/BTo)	2 channel audio in I2S mode or 8 Channel in TDM mode or PCM mono Channel Output is transmitted through I2S pin. For this port, 1 I2S transmitter is enabled.
4	HDMI audio output	HDMI-TX outputs up to 8 channel audio. HDMI-TX receives audio through HD-audio path which has customized 4 I2S transmitters. (up to 8 channel L-PCM audio or 2 channel compressed audio).

Table 2. Audio Output paths/ports in SL1680

S.no	Name	Description
1	MIC1 Audio Input (MIC1).	Up to 8 channel audio in I2S mode or 2/4/6/8 Channel in TDM mode can be received through I2S pins. For this port, 4 I2S receivers is enabled.
2	PDM Audio Input (PDM)	Up to 8 channel audio can be received in PDM format. Externally 2 I2S lines and 2 PDM lines are connected through multiplexers. For this port, 4 PDM receivers are enabled.
2a	PDM Audio Input (DMIC)	Up to 8 channel audio can be received in PDM format (the ones mentioned in #2). These inputs go in DMIC which do PDM2PCM conversion and interleaving. Externally, 2 I2S lines and 2 PDM lines are connected through multiplexers. Three DMIC input comes from PDM lanes. Fourth DMIC input can either come from DRAM or from a PDM lane. For this port, 4 DMIC receivers are enabled.
3	DSD Audio Input (PDM)	Up to 6 channel audio can be received in DSD format from eARC-RX Controller. DSD data format is same as PDM format. 3 PDM receivers are used for this port.
4	SPDIF Audio Input (SPDIF-RX)	SPDIF receiver is connected to chip input or eARC-Rx output. 2 channel audio data or Compress audio data are received from eARC-Rx output. 2 channel audio data are received in IEC60958 mode or 8/6 channel compressed audio data are received in IEC61937 mode.
5	MIC2 Audio Input (MIC2).	2 channel audio in I2S mode or 2/4/6/8 Channel in TDM mode can be received through I2S pins. PCM Mono audio can be received through I2S pin. Externally 2 I2S lines and 2 PDM lanes are connected through multiplexers. For this port, 1 I2S receivers is enabled.
6	MIC3 Audio input (HDMI-RX)	4 I2S lines of HDMIRX. Up to 8 channel L-PCM audio or 2 channel compressed audio can be received through this port. Internally, 4 I2S receivers are enabled for this port.
7	MIC4 Audio Input (Pri Tx LoopBack)	Up to 8 channel audio in I2S mode or 2/4/6/8 Channel in TDM mode can be received through I2S pins. For this port, 4 I2S receivers are enabled.
8	MIC5 Audio Input (HDMI Tx LoopBack)	Up to 8 channel audio in I2S mode can be received through I2S pins. For this port, 4 I2S receivers are enabled.
9	MIC6 Audio Input (eARC RX I2S Input)	Up to 8 channel audio in I2S mode or 8 channels TDM data on single lane or 32 channels on 4 lanes (32-bit on each lane) can be received from eARC-RX controller. For this port 4 I2S receivers are enabled.

Figure 1 is a functional block diagram of the AIO module.

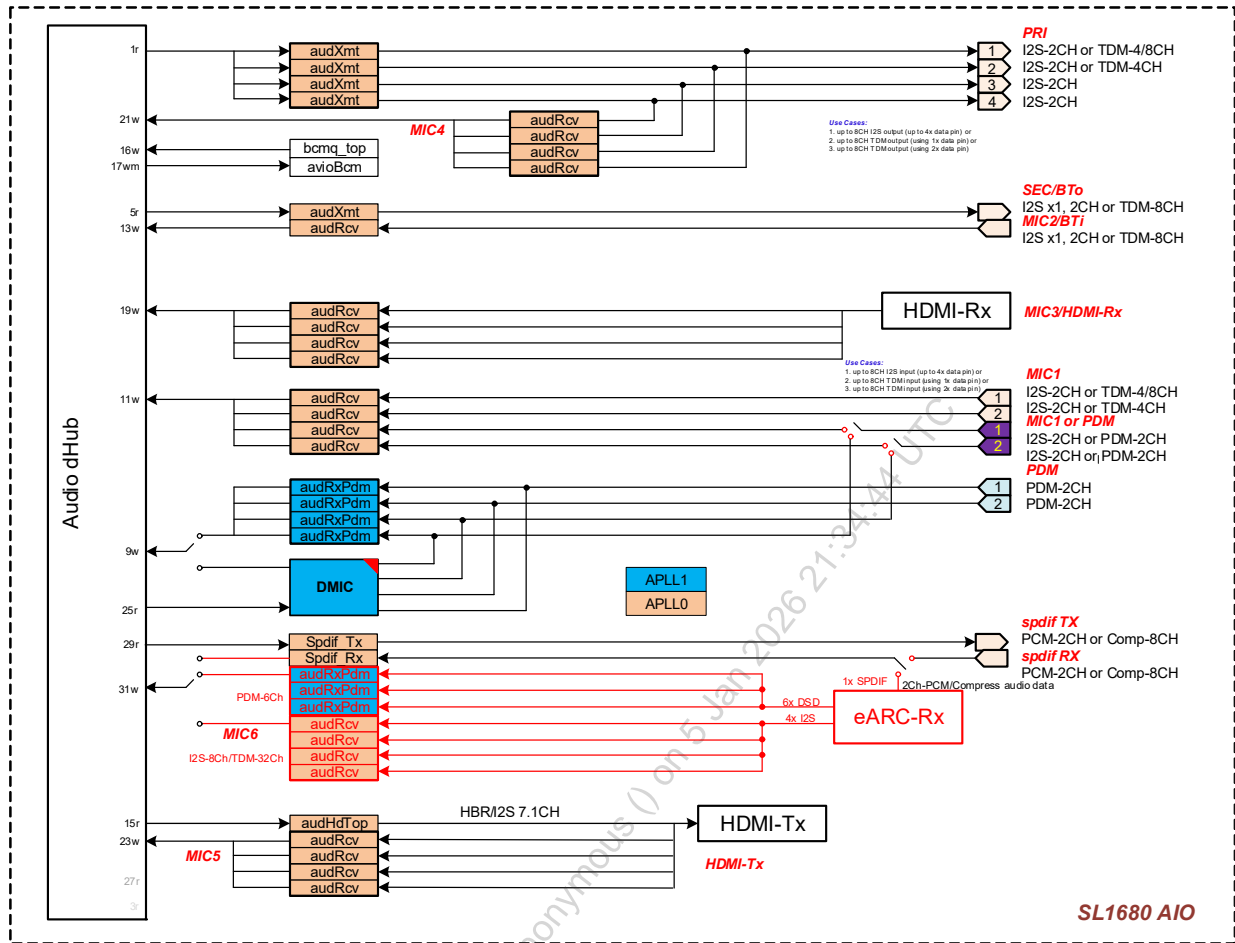


Figure 1. Functional Block Diagram of AIO Module

For each input/output ports, there are audio FIFOs between the DMA channel and the Transmitter/ Receiver block. In unexpected or error cases when underflow or overflow happens, an interrupt will be generated. All the FIFOs can be flushed by firmware.

The SL1680 AIO module also has audio clock logic to generate the various sampling clocks (Bit-Clocks or BCLK) required for each port by dividing from Host Clock (MCLK). The source of MCLK is driven by the APLLs.

The audio clock module generates the data BCLK for AIO module by dividing the input Host Clock (MCLK) by 1/2/4/8/16/32/64/128. The desired BCLK clock frequency and polarity can be selected by programming the AIO registers.

## 15.2. Audio Clock Scheme

Each audio transmitter and receiver of AIO has its own MCLK (host clock). Two independent clocks from APLL are used to generate these MCLKs. There are independent dividers for each MCLK to fine adjust their required frequencies. BCLKs are derived from MCLKs using another set of dividers.

### 15.2.1. Sampling Rate and Bit Clock

The bit clock toggles once for each discrete bit of data on the data lines. The bit clock frequency is derived by the number of bits per channel, the number of channels, and the sampling rate. For example, stereo audio (2 channels) with a sample frequency of 192 KHz and 16-bits per sample will have a bit clock frequency of 6.144 MHz ( $192 \times 2 \times 16$ ). The Word Strobe clock (LRCK) indicates whether Left Channel or Right Channel data is currently being sent to the device. Transitions on the LRCK also serve as a start-of-word indicator. The LRCK frequency is always the same as the audio sampling rate. The sampling size and sampling rate must be same within the same channel pair and the same port.

Table 3 shows the required BCLK frequency for supported audio sampling rates at 32FS/48FS/64FS.

Table 3. Sampling Rate and Bit Clock Relationship (I2S)

Sampling Rate (FS)	Bit- clock frequency (MHz)		
	32*FS (2-Ch)	48*FS (2-Ch)	64*FS (2-Ch)
32 KHz	1.02	1.536	2.048
44.1 KHz	1.4112	2.1168	2.8224
48 KHz	1.536	2.304	3.072
96 KHz	3.072	4.608	6.144
192 KHz	6.144	9.216	12.288

Table 4. Sampling Rate and Bit Clock Relationship (For TDM Mode)

Sampling Rate (FS)	Bit- clock frequency (MHz)		
	128*FS (4-Ch)	192*FS (6-Ch)	256*FS (8-Ch)
32 KHz	4.096	6.144	8.192
44.1 KHz	5.6448	8.4672	11.2896
48 KHz	6.144	9.216	12.288
96 KHz	12.288	18.432	24.576
192 KHz	24.576	36.864	49.152

To generate desired frequencies for audio clocks, APLL must be first configured to generate required MCLKs. AIO clock dividers must be programmed to generate correct BCLKs and LRCKs from MCLKs.



## 15.3. Data Formats

The SL1680 I2S Transmitters and Receivers supports I2S mode, Left-Justified mode, Right-Justified mode, TDM Mode, PCM Mono, SPDIF mode and PDM mode.

The following sections provide brief description about each of the supported data formats.

### 15.3.1. I2S Mode

In I2S mode, data is sent out “one” BCLK after the LRCK transition. In this mode left channel data are transmitted during the low period of LRCK and right channel data are transmitted during the high period of LRCK. Figure 3 shows the I2S mode.

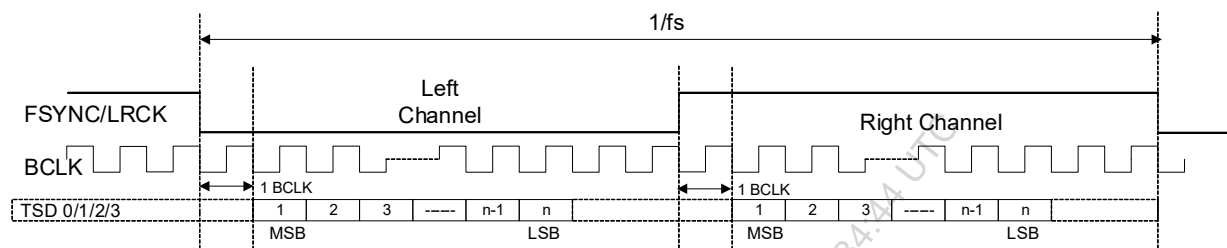


Figure 2. I<sup>2</sup>S Mode

### 15.3.2. Left-Justified Mode

In Left-Justified mode, there is no BCLK delay between the first data transmission and the LRCK transition and data is aligned with the leading transitions on LRCK. In this mode left channel data are transmitted during the high period of LRCK and right channel data are transmitted during the low period of LRCK. Figure 3 shows the Left-Justified mode.

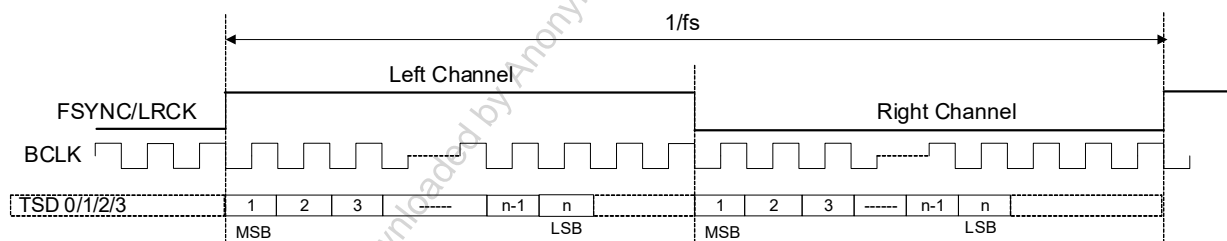


Figure 3. Left-Justified Mode

### 15.3.3. Right-Justified Mode

In Figure 4, the Right-Justified format is very similar to the Left-Justified format, with the exception of the placement of channel data within the LRCK. In this mode, the data lines up with the right edge of LRCK transition and last bit of the data are transmitted one BCLK before the LRCK transition.

As with the Left-Justified mode, left channel data is transmitted during the high period of LRCK and right channel data are transmitted during the low period of LRCK. Figure 4 shows the Right-Justified mode.

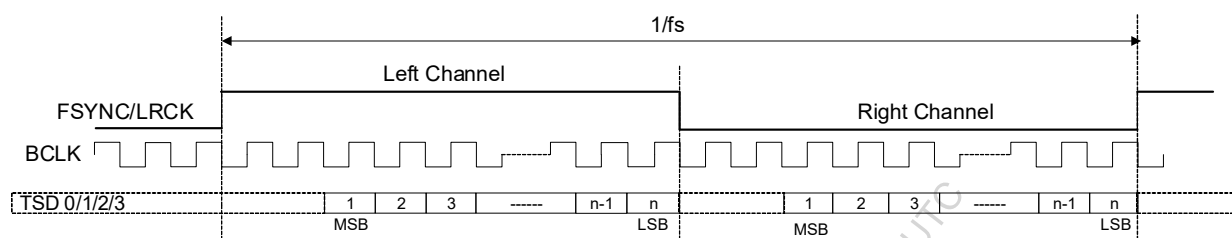


Figure 4. Right-Justified Mode

### 15.3.4. Time Division Multiplexed (TDM) Mode

The TDM format is typically used when communicating between integrated circuit devices on the same printed circuit board or on another printed circuit board within the same piece of equipment. For example, the TDM format is used to transfer data between the DSP and one or more analog-to-digital converter (ADC), digital-to-analog converter (DAC).

The TDM format consists of three components in a basic synchronous serial transfer: the clock (BCLK), the data (DIN / DOUT) and the frame sync (LRCK).

- The BCLK for Transmit / Receive needed for 32bit resolution per channel:
  - 256 Clocks: 8-Channel
  - 192 Clocks: 6-Channel
  - 128 Clocks: 4-Channel

Each 64 BCLK 2-Channel data is transmitted / received.
- In I2S-TX, the LRCLK can be generated for 1-254 BCLK in an audio frame whereas in I2S-RX the module detects the low to high edge to start decoding the data.
- The audio frame in TDM mode carries 2/4/6/8-Channels of data.
- The data is always in I2S / Justified Mode.
  - In I2S mode, data is sent out *one* BCLK after the LRCK transition.
  - In Left-Justified mode, there is no BCLK delay between the first data transmission and the LRCK transition and data is aligned with the leading transitions on LRCK.
  - It's relatively apparent that the Right-Justified format is very similar to the Left-Justified format, with the exception that the placement of channel data within the LRCK. In this mode the data lines up with the right edge of LRCK transition and last bit of the data is transmitted one BCLK before the LRCK transition.

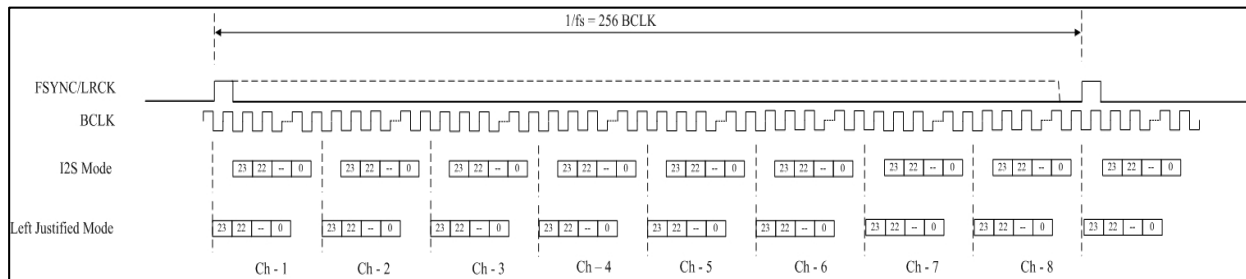


Figure 5. 8-Channel TDM Mode Data

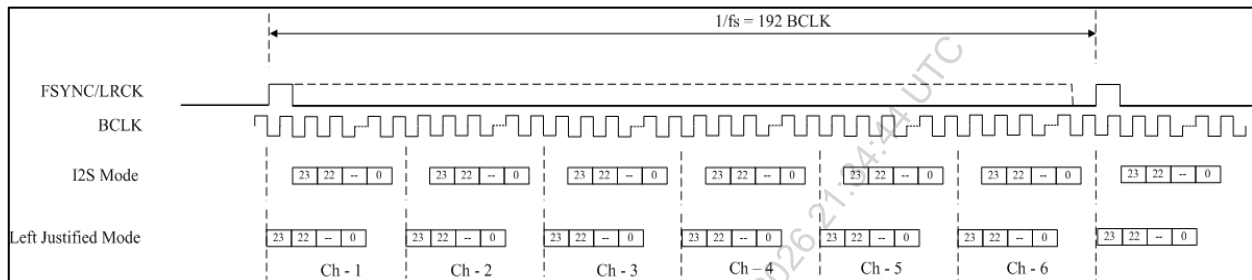


Figure 6. 6-Channel TDM Mode Data

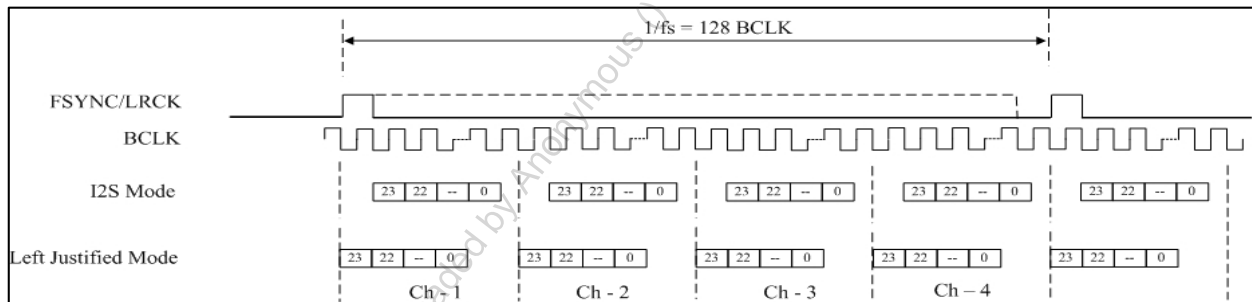


Figure 7. 4-Channel TDM Mode Data

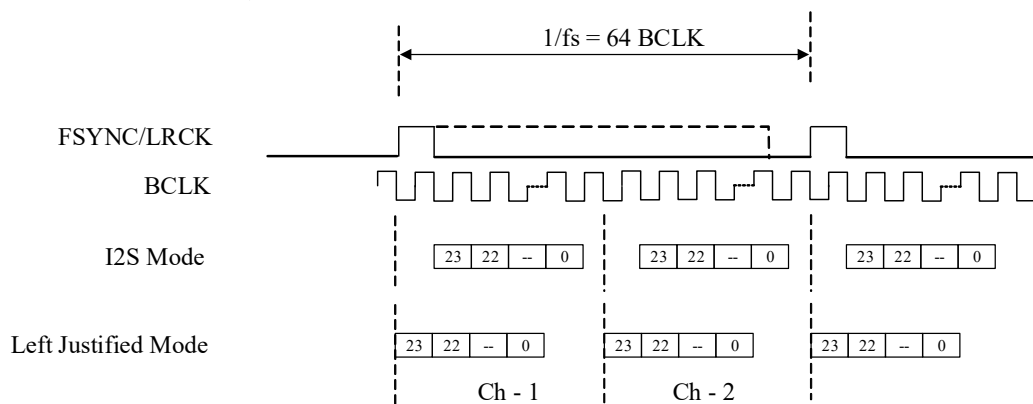


Figure 8. 2-Channel TDM Mode Data

## 15.4. PCM Mono mode

PCM mono channel data is used specifically for transfer of chunk data indicative by a single pulse to start the data.

After the rising edge of the PCM\_FR the data will be captured. The number of bits (Data resolution) which needs to be captured will be configurable between 8/16/24/32 Bits. Data is captured or sent on the falling edge.

When transmitter is operating in Host Mode the frame width, that is, the occurrence of PCM\_FR pulses can also be configured between 8 to 256. While transmitter is operating in Target Mode the frame width is defined by the Host Mode generating the PCM\_FR, to take care of this there is a programming guideline to be followed.

Figure 9 represents the data being sent by the transmitter.

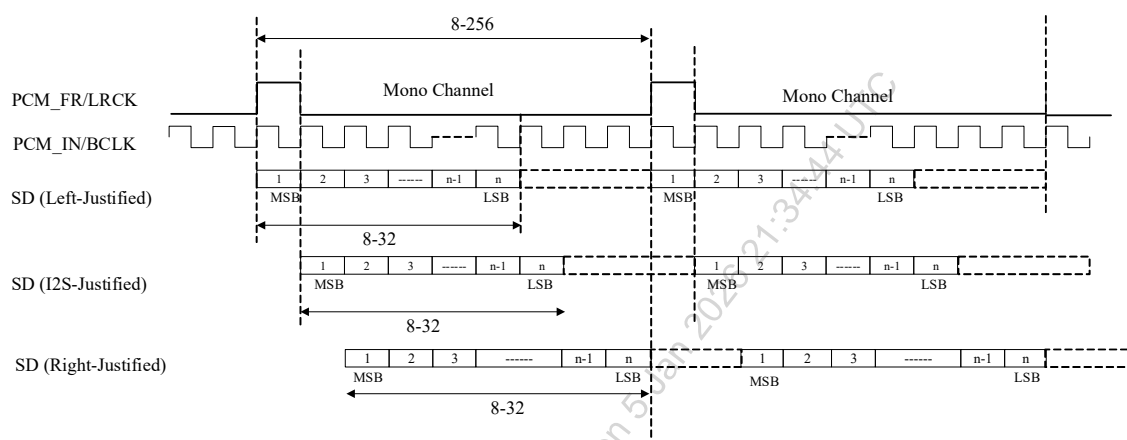


Figure 9. PCM Mono Mode Data

## 15.5. Pulse Density Modulation (PDM) Mode

AIO module in SL1680 has a dedicated receiver to receive PDM digital input. In PDM mode, register configurable PDM clock is sent out from SL1680 to the PDM device to clock the data bits. The data bits are presented by the PDM device at the clock rate, either on the rising edge/falling edge or both. SL1680 samples the PDM data and stores in the DRAM.

SL1680 supports both the PDM data transfer modes namely Classic PDM and Half Cycle PDM. In Classic PDM, the PDM device will present data on every rising (or falling) clock edge. In Half cycle PDM, the PDM device will present valid data on both the clock edges. SL1680 samples the PDM data either using the internal PDM clock edges or a programmable counter running on internal high-speed clock, also number of bits to store per frame is configurable using the register settings.

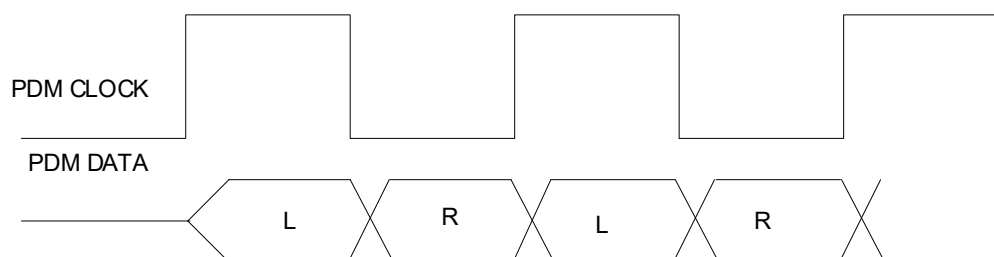


Figure 10. Half-Cycle PDM

## 15.6. Direct Stream Digital (DSD) Mode

AIO module in SL1680 has a dedicated receiver to receive DSD digital input coming from eARC RX Controller. Like PDM, DSD is single bit audio format that uses pulse density modulation technique to encode audio. AIO uses a customized PDM receiver to receive DSD audio. DSD source sends clock - SCK\_OUT - along with data and PDM receiver uses this clock to capture data.

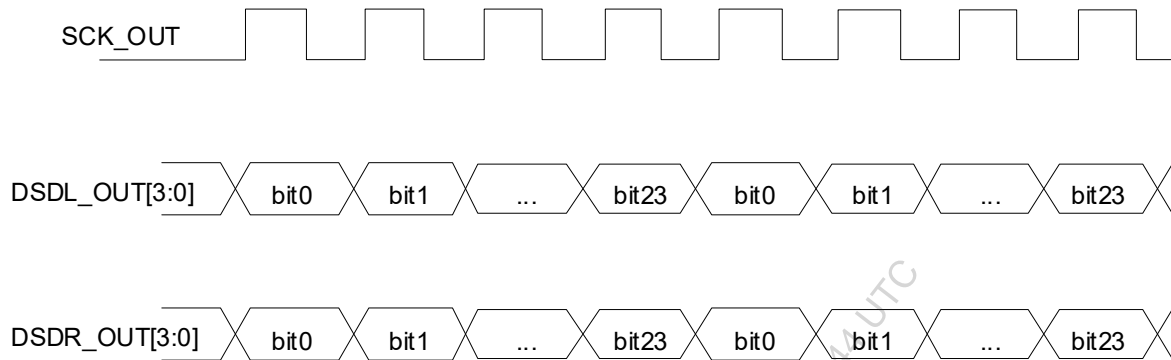


Figure 11. DSD Input from eARC RX Controller

## 15.7. S/P-DIF (IEC60958) Transmitter

The S/P-DIF transmitter generates the S/P-DIF stream up to 192 KHz from the input data. This block operates on S/P-DIF Host Clock (MCLK) generated from the AVPLL or from external source.

The S/P-DIF module reads the input audio stream from DRAM using a dedicated DMA Channel and generates the serial S/P-DIF output. S/P-DIF functionality is divided among firmware and hardware. AIO hardware performs the following functions:

- Sync preamble coding
- Parity bit generation
- Output channel coding in bi-phase-mark-code (BMC)

The functions performed by firmware are:

- Block and frame formats
- Validity flag, user data format, and channel status

Figure 12 shows the S/P-DIF frame format.

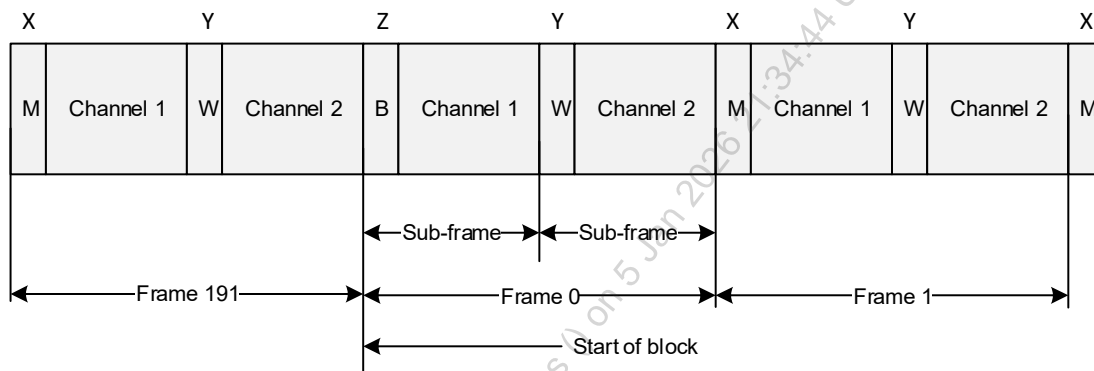


Figure 12. S/P-DIF Frame Format

### 15.7.1. S/P-DIF Internal Sub-frame Format

AIO receives the S/P-DIF data from firmware in the following sub-frame format. Each sub-frame is 32-bits long as shown in Figure 13.

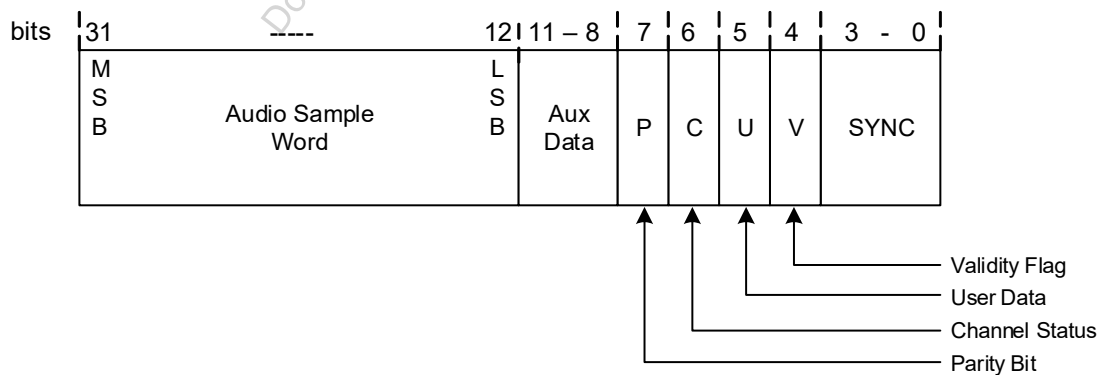


Figure 13. S/P-DIF Internal Frame Format

Bits 0 to 3 carry one of the three permitted preambles. AIO directly encode the received 4-bit data into the corresponding preamble sync words as shown in [Table 5](#).

*Table 5. Encoding for Preambles*

Preamble Word	Encoding [3:0]
B	"0000"
M	"0010"
W	"0011" to "1111"

Bits 8 to 31 carry the audio sample word in linear 2's complement representation.

Bit 4 carries the validity flag associated with the audio sample word, this flag is set to logical 0 if the audio sample is reliable, and it is set to logical 1 if unreliable. Firmware maintains this bit.

Bit 5 carries one bit of the user data channel associated with the audio channel transmitted in the same sub frame.

Bit 8 to 31 will carry data (unused LSBs bits are set to 0).

Downloaded by Anonymous () on 5 Jan 2026 21:34:44 UTC

## 16. Peripheral Sub-system

### 16.1. Introduction

The Peripheral Sub-system integrates various standard interface controllers to provide connectivity between the SL1680 SoC and the variety of peripheral devices that can be attached to the SL1680 device.

### 16.2. Description

Dedicated controllers handle the communication protocol for each of the standard interfaces of the SL1680 device. All of the controllers have connection to an internal target bus interface for register programming. Most of the high speed interface controllers also include a built-in DMA, which enables them to access the SL1680 system memory as a host.

There are also sixteen timers, three watchdog timers, and local programmable interrupt controllers (PICs) for the low-speed interface controllers.

[Figure 1](#) is a diagram of the peripheral subsystem.

Downloaded by Anonymous () on 5 Jan 2026 21:34:44 UTC



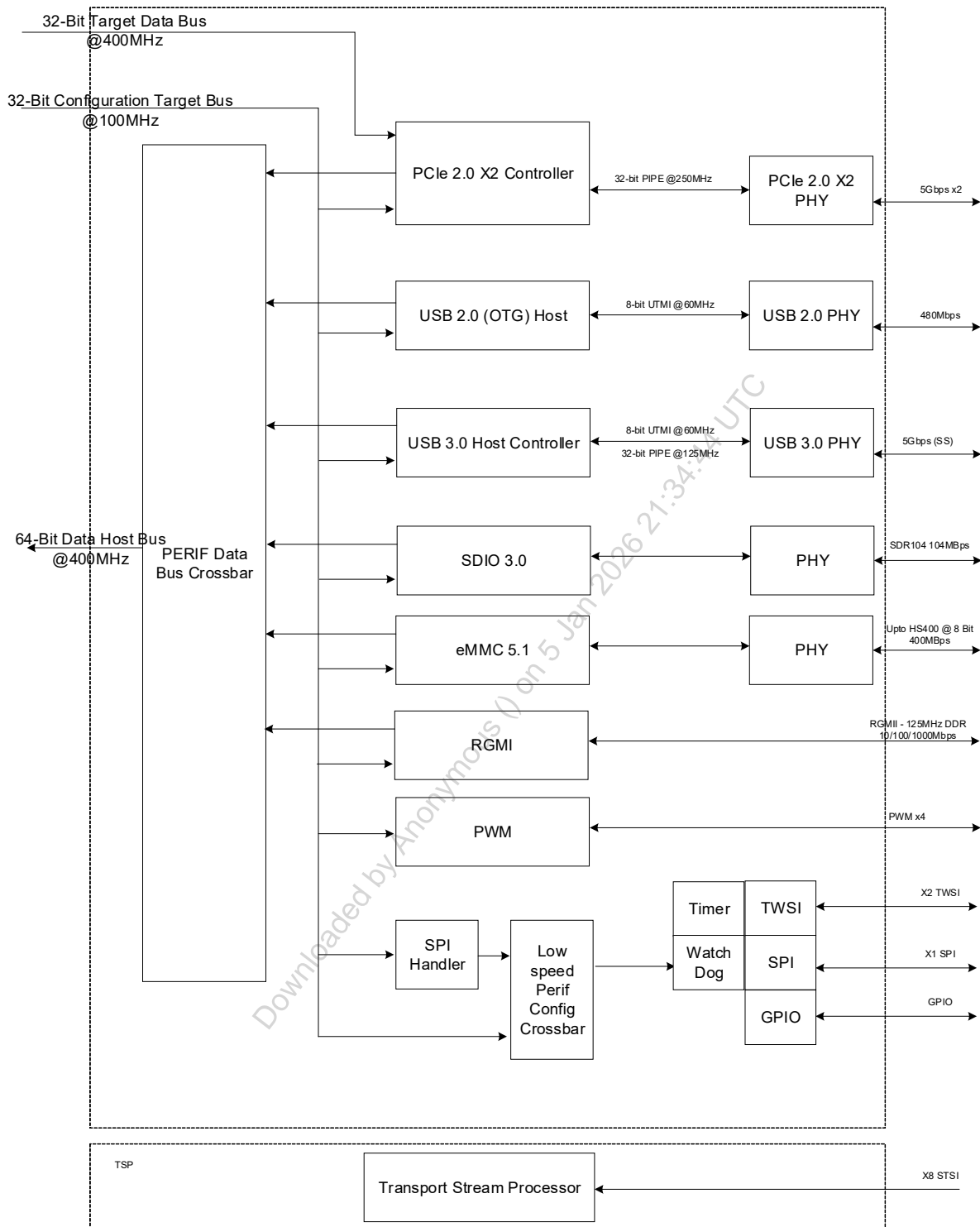


Figure 1. Peripheral Sub-system Block Diagram

The integrated peripheral subsystem communicates with the SL1680 device SoC through the following three interfaces:

- 32-bit target interface on the configuration bus running @ 100 MHz for system CPUs to access peripheral registers
- 64-bit host interface on the data bus @400 MHz for PERIF DMAs to access system memories
- Interrupts to system CPUs

The peripheral subsystem supports the following external interfaces:

- 1 USB 2.0 OTG with PHY
- 1 SDIO host controller provides SDIO3.0 support
- 1 eMMC controller provides eMMC5.1 support
- 1 USB 3.0 with 3.0 and 2.0 PHY
- 1 Gigabit Ethernet Controller with RGMII interface
- 1 PCI-e 2.0 x2
- 8 Serial Transport Stream Inputs
- 2 I2C (TWSI)
- 1 SPI
- 4 PWM
- GPIO

Downloaded by Anonymous () on 5 Jan 2026 21:34:44 UTC

## 17. APB Components of Peripheral Interface

### 17.1. General Purpose Input/Output (GPIO)

#### 17.1.1. GPIO as I/O Pins

In I/O mode, the SL1680 device can control the output data and direction of I/O pads. There are 56 GPIOs in the SoC power domain and 16 GPIOs in the SM power domain. GPIO pins are pin-shared with other interfaces. For more pin-sharing information, refer to the *SL1680 Datasheet* (PN: 505-001413-01). The output and input GPIO status can be accessed directly through memory-mapped registers. Each of the GPIO pins can be controlled independently as described in this chapter.

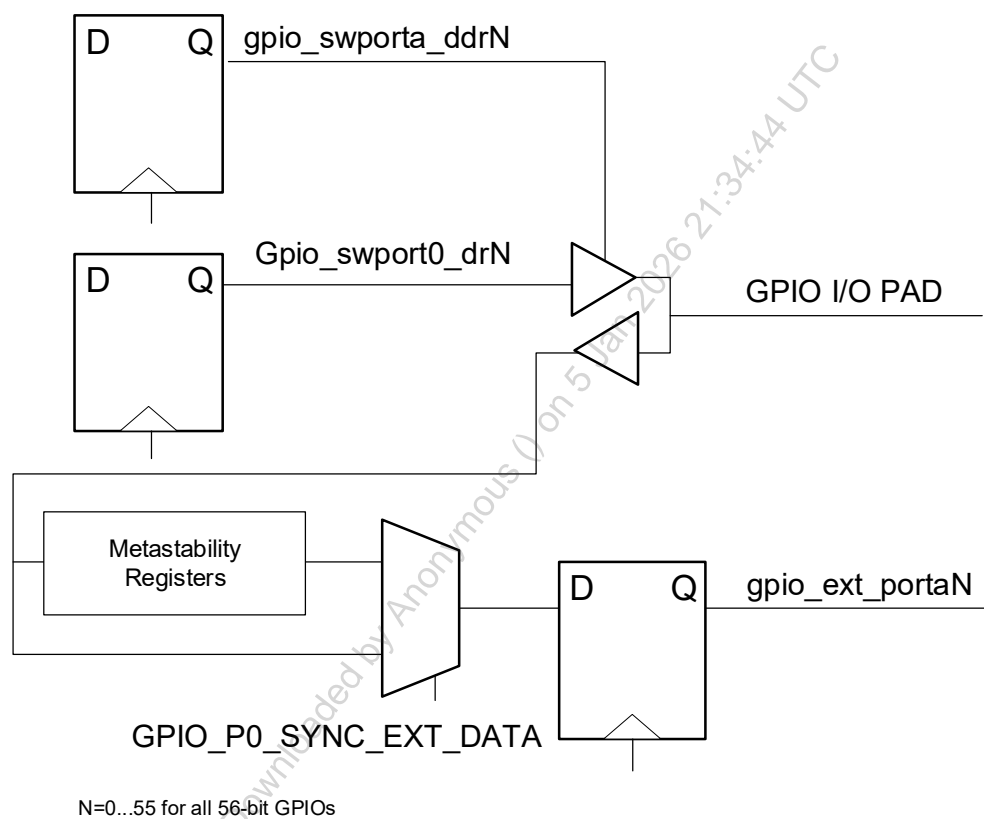


Figure 1. GPIO Block Diagram

Figure 1 illustrates one of 56 GPIO pins. Each of the GPIO pins (N from 0 to 55) are mapped to registers as follows:

- GPIO 0-31 maps to apb\_gpio\_0 in the register manual
- GPIO 32-55 maps to apb\_gpio\_1 0-23

### 17.1.1.1. Controlling the GPIO

The data and direction control for the signal are sourced from the data register (`gpio_swporta_dr`) and direction control register.

Under software control, the direction of the external I/O pad is controlled by a write to the data direction register (`gpio_swporta_ddr`) to control the direction of the GPIO pad.

The data written to the data register (`gpio_swporta_dr`) drives the output buffer of the I/O pad. External data are input on the external data signal, `gpio_ext_porta`. Reading the external signal register (`gpio_ext_porta`) shows the value on the signal, regardless of the direction. This register is read only.

### 17.1.1.2. Reading External Signals

The GPIO PAD data on the `gpio_ext_porta` external signal can always be read through the memory-mapped register, `gpio_ext_porta`.

A read to the `gpio_ext_porta` register yields a value equal to that which is on the `gpio_ext_porta` signal, regardless of the direction.

### 17.1.1.3. GPIO as Interrupt

GPIO can be programmed to accept external signals as interrupt sources on any of the bits of the signal. The type of interrupt is programmable with one of the following settings:

- Active-high and level
- Active-low and level
- Rising edge
- Falling edge

The interrupts can be masked by programming the `gpio_intmask` register. The interrupt status can be read before masking (called raw status) and after masking.

The interrupts are also combined into a single interrupt output signal, which has the same polarity as the individual interrupts. To mask the combined interrupts, all individual interrupts have to be masked. The single combined interrupt does not have its own mask bit.

Whenever GPIO is configured for interrupts, the data direction must be set to Input for interrupts to be latched. If the data direction register is reprogrammed to Output, then any pending interrupts are not lost. However, no new interrupts are generated.

[Figure 2](#) illustrates how the interrupts are generated and how the data flows. The signal names in the diagram correspond to either I/O signals or memory-mapped registers.

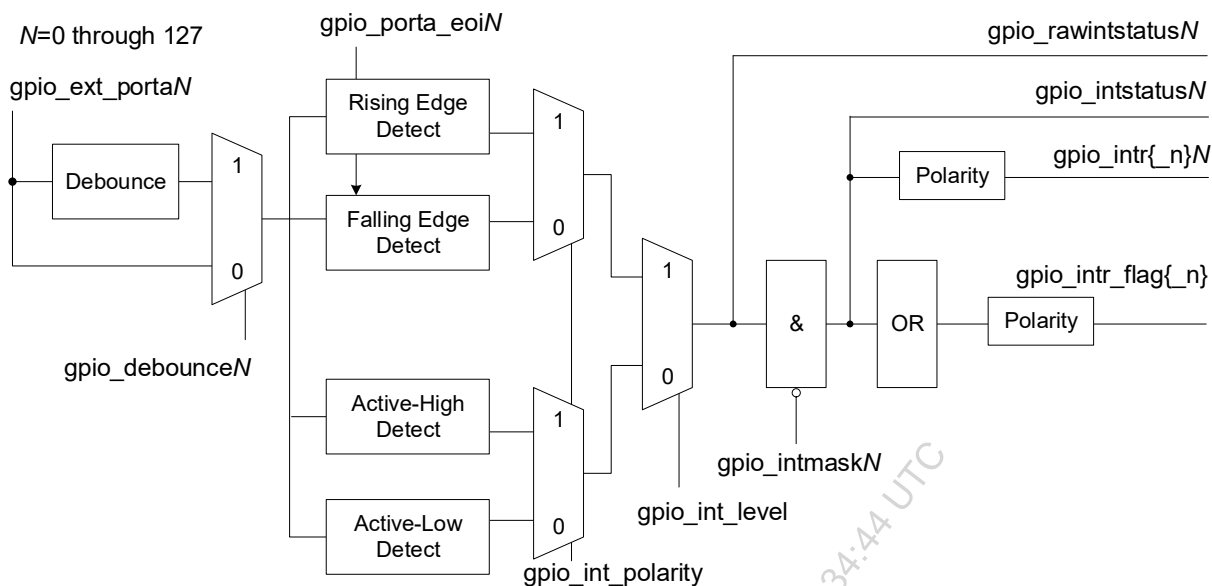


Figure 2. GPIO Interrupt Block Diagram

The `gpio_status` register must be read in the interrupt service routine (ISR) to find the source of the interrupt.

For edge-detected interrupts, the ISR can clear the interrupt by writing a 1 to the `gpio_porta_eoi` register for the corresponding bit to disable the interrupt. This write also clears the interrupt status and raw status registers. Writing to the `gpio_porta_eoi` register has no effect on level-sensitive interrupts. If level-sensitive interrupts cause the processor to interrupt, then the ISR can poll the `gpio_rawint` status register until the interrupt source disappears, or it can write to the `gpio_intmask` register to mask the interrupt before exiting the ISR. If the ISR exits without masking or disabling the interrupt prior to exiting, then the level-sensitive interrupt repeatedly requests an interrupt until the interrupt is cleared at the source.

If the interrupt service routine reads the `gpio_intr_status` register to find multiple pending interrupt requests, then it is up to the processor to prioritize these pending interrupt requests. There are no restrictions on the number of edge-detected interrupts that can be cleared simultaneously by writing multiple 1s to the `gpio_porta_eoi` register.

Interrupt signals are internally synchronized to a system clock. Synchronization must occur for edge-detect signals. Edge-detected interrupts to the processor are always synchronous to the system bus clock. With level-sensitive interrupts, synchronization is optional and under software control.

## 17.2. Two-Wire Serial Interface (TWSI)

### 17.2.1. Overview

The TWSI bus is a two-wire serial interface. The TWSI module can operate in both standard mode (with data rates up to 100 Kbps), and fast mode (with data rates up to 400 Kbps) and supports high-speed mode (with data rates up to 3.4Mbps). The TWSI can communicate with devices only of these modes as long as they are attached to the bus. The TWSI serial clock determines the transfer rate. The TWSI interface protocol is set up with a host and target. The host is responsible for generating the clock and controlling the transfer of data. The target is responsible for either transmitting or receiving data to and from the host. The acknowledgment of data is sent by the device that is receiving data, which can be either the host or the target. The protocol also allows multiple hosts to reside on the TWSI bus, which requires the hosts to arbitrate for ownership.

The target each have a unique address that is determined by the system designer. When the host is programmed to communicate with a target, the host transmits a START condition that is then followed by the target address and a control bit (R/W) to determine if the host is to transmit data or receive data from the target. The target then sends an acknowledge (ACK) pulse after the address and the R/W bit is received to notify the host that the target has received the request.

If the host (host-transmitter) is writing to the target (target-receiver), the receiver receives a byte of data. This transaction continues until the host terminates the transmission with a STOP condition. If the host is reading from a target, the target transmits a byte of data to the host, and the host then acknowledges the transaction with the ACK pulse. This transaction continues until the host terminates the transmission by not acknowledging the transaction after the last byte is received, and then the host issues a STOP condition or addresses another target after issuing a RESTART condition. This process is illustrated in [Figure 3](#).

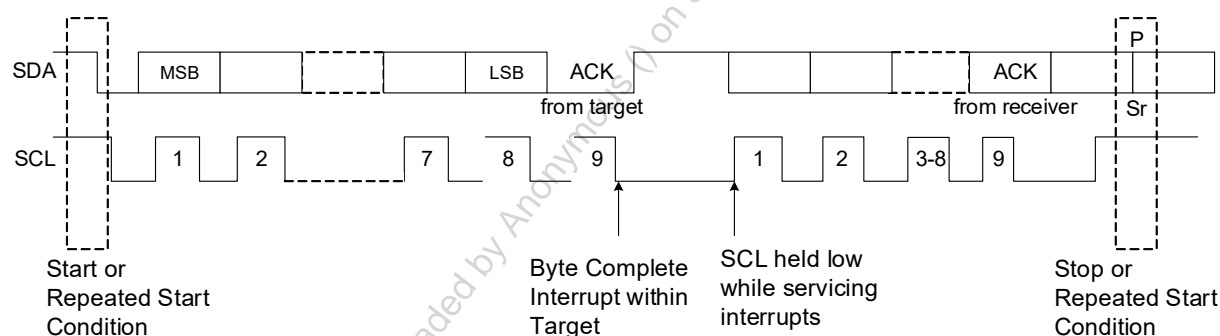


Figure 3. TWSI Start and Stop Condition

The TWSI is a synchronous serial interface. The data signal (SDA) is a bidirectional signal and changes only while the serial clock signal (SCL) is low, except for STOP, START, and RESTART conditions. The output drivers are open-drain or open-collector to perform wire-AND functions on the bus. The maximum number of devices on the bus is limited by only the maximum capacitance specification of 400 pF. Data is transmitted in byte packages.

## 17.2.2. TWSI Protocols

The TWSI has the following protocols:

- START and STOP Condition
- Addressing Target
- Transmitting and Receiving
- START BYTE Transfer

### 17.2.2.1. START and STOP Condition Protocol

When the bus is IDLE both the SCL and SDA signals are pulled high through external pull-up resistors on the bus. When the host is programmed to start a transmission on the bus, the host issues a START condition. This action is defined to be a high-to-low transition of the SDA signal while SCL is 1. When the host is programmed to terminate the transmission, the host issues a STOP condition. This action is defined to be a low-to-high transition of the SDA line while SCL is 1. [Figure 4](#) shows the timing of the START and STOP conditions. When data is being transmitted on the bus, the SDA line must be stable when SCL is 1.

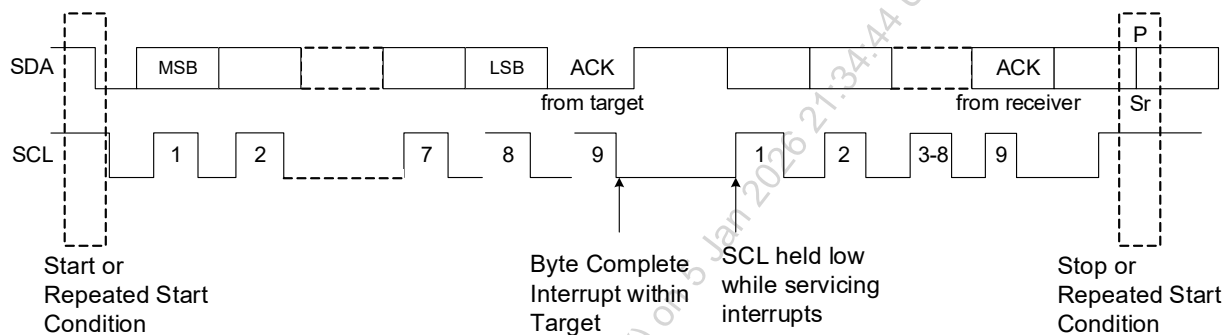
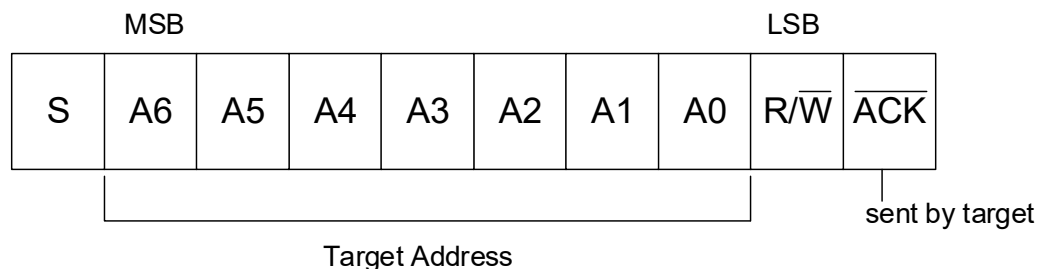


Figure 4. START and STOP Condition

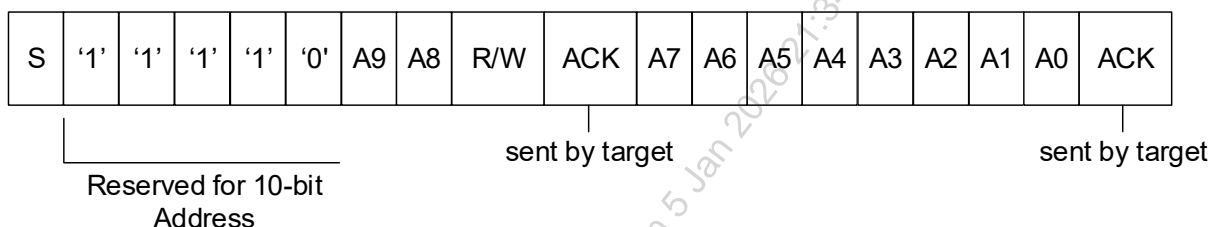
### 17.2.2.2. Addressing Target Protocol

There are two address formats, the 7-bit address format and the 10-bit address format. During the 7-bit address format, the first seven bits (7:1) of the first byte set the target address and the LSB bit (bit 0) is the R/W bit as shown in [Figure 5](#). When Bit 8 is set to 0, the host writes to the target. When Bit 8 (R/W) is set to 1, the host reads from the target. Data is transmitted to the most significant bit (MSB) first. During 10-bit addressing, two bytes are transferred to set the 10-bit address. The transfer of the first byte contains the following bit definition. The first five bits (7:3) notify the targets that this is a 10-bit transfer followed by the next two bits (2:1), which set the targets address bits 9:8, and the LSB bit (Bit 8) is the R/W bit. The second byte transferred sets bits 7:0 of the target address. [Figure 6](#) shows the 10-bit address format, and [Table 1](#) defines the special purpose and reserved first byte addresses.



S = Start condition  
 R/W = Read/Write Pulse  
 ACK = Acknowledge

Figure 5. 7-Bit Address Format



S = Start condition  
 R/W = Read/Write Pulse  
 ACK = Acknowledge

Figure 6. 10-Bit Address Format

Table 1. TWSI Definition of Bits in the First Byte

Target Address	R/W	Description
0000 000	0	General Call Address. The TWSI module places the data in the receive buffer and issues a general call interrupt.
0000 000	1	START byte. For more information, refer to <a href="#">START BYTE Transfer Protocol</a> .
0000 001	X	CBUS address. The TWSI module ignores these accesses.
0000 010	X	Reserved.
0000 011	X	Reserved.
0000 1XX	X	High-speed host code (for more information, refer to <a href="#">Host Arbitration</a> ).
1111 1XX	X	Reserved.
1111 0XX	X	10-bit target addressing.



### 17.2.2.3. Transmitting and Receiving Protocol

All data is transmitted in byte format, with no limit on the number of bytes transferred per data transfer. After the host sends the address and R/W bit or the host transmits a byte of data to the target, the target-receiver must respond with the acknowledge signal. When a target-receiver does not respond with an acknowledge pulse, the host aborts the transfer by issuing a STOP condition. The target leaves the SDA line high so the host can abort the transfer. If the host-transmitter is transmitting data as shown in Figure 7, then the target-receiver responds to the host-transmitter with an acknowledge pulse after every byte of data is received.

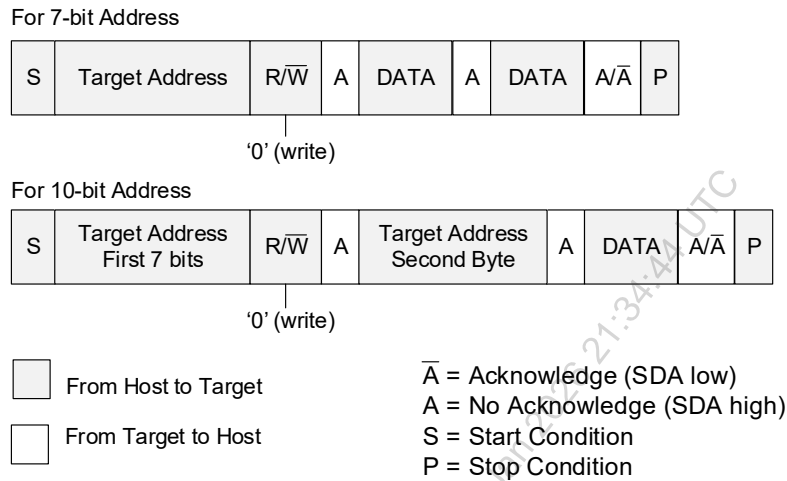


Figure 7. Host-Transmitter Protocol

If the host is receiving data as shown in Figure 8, then the host responds to the target-transmitter with an acknowledge pulse after a byte of data has been received, except for the last byte. This process is how the host-receiver notifies the target-transmitter that this is the last byte. The target-transmitter relinquishes the SDA line after detecting the No Acknowledge so that the host can issue a STOP condition.

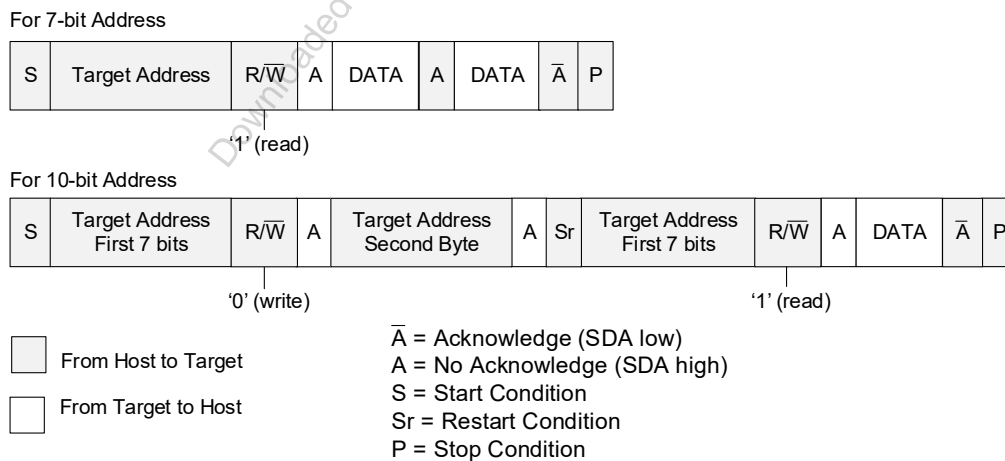


Figure 8. Host-Receiver Protocol

When a host is programmed to not relinquish the bus with a STOP condition, the host can issue a repeated start condition. This is identical to a START condition except it occurs after the ACK pulse. The host can then communicate with the same target or a different target.

### 17.2.3. START BYTE Transfer Protocol

The START BYTE transfer protocol is set up for systems that do not have an on-board dedicated TWSI hardware module. When the TWSI is addressed as a target, it always samples the TWSI bus at the highest speed supported so that it never requires a START BYTE transfer. However, when the TWSI is a host, it supports the generation of START BYTE transfers at the beginning of every transfer should a target device require it. The START BYTE protocol consists of seven 0's being transmitted followed by a 1, as illustrated in Figure 9, and allows the processor that is polling the bus to under-sample the address phase until 0 is detected. Once the micro-controller detects a 0, it switches from the under-sampling rate to the correct rate of the host.

The START BYTE procedure is as follows:

1. Host generates a START condition
2. Host transmits the START byte (0000 0001)
3. Host transmits the ACK clock pulse
4. No target sets the ACK signal to 0
5. Host generates a repeated START (Sr) condition

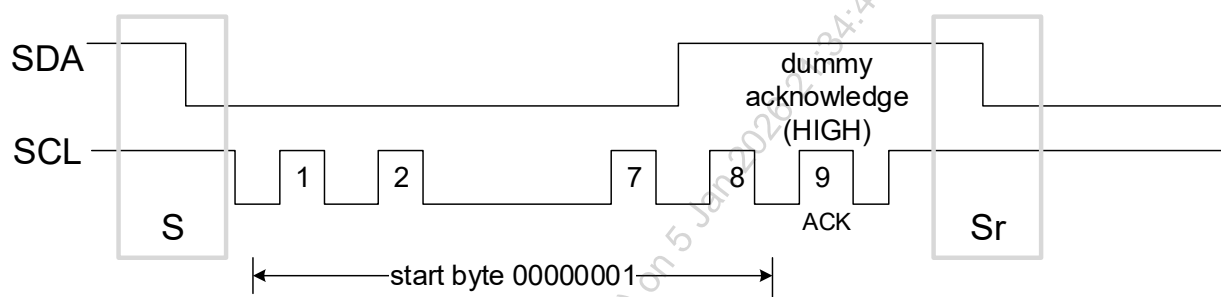


Figure 9. Start Byte Transfer

A hardware receiver does not respond to the START BYTE because it is a reserved address and resets after the Sr (restart condition) is generated.

### 17.2.4. Multiple Host Arbitration and Clock Synchronization

The TWSI bus protocol allows multiple hosts to reside on the same bus. When two or more hosts try to transfer information on the bus at the same time, they must arbitrate and synchronize the SCL clock.

This section explains the following topics:

- Host arbitration
- Clock synchronization

#### 17.2.4.1. Host Arbitration

Arbitration occurs on the SDA line, while the SCL line is 1. The host, which transmits a 1 while the other host transmits 0, loses arbitration and turns off its data output stage. The host that lost arbitration can continue to generate clocks until the end of the byte transfer. If both hosts are addressing the same target device, the arbitration could go into the data phase.

For high-speed mode, the arbitration cannot enter into the data phase because each host is programmed with a different high-speed host code. Because the codes are unique, only one host can win arbitration, which occurs by the end of the transmission of the high-speed host code.

### 17.2.4.2. Clock Synchronization

All hosts generate their own clock to transfer messages. Data is valid only during the high period of SCL clock. Clock synchronization is performed using the wired-AND connection to the SCL signal. When the host transitions the SCL clock to 0, the host starts counting the low time of the SCL clock and transitions the SCL clock signal to 1 at the beginning of the next clock period. However, if another host is holding the SCL line to 0, then the host goes into a HIGH wait state until the SCL clock line transitions to 1. All hosts then count off their high time and the host with the shortest high time transitions the SCL line to 0. The hosts then count out their low time and the one with the longest low time forces the other host into a HIGH wait state. Therefore, a synchronized SCL clock is generated. Optionally, targets may hold the SCL line low to slow down the timing on the TWSI bus.

### 17.2.5. Operation Model

The TWSI interface operates under the following model:

1. Disable the interface by writing 0 to the IC\_ENABLE register.
2. Program speed (standard or fast), addressing (7 or 10-bit) and host/target modes by writing to the IC\_CON register.
3. If acting as a host, program the target address into IC\_TAR. If acting as a target, program the target address into IC\_SAR.
4. Program the SCL high and low duty cycles by using the IC\_SS\_SCL\_HCNT and IC\_SS\_SCL\_LCNT registers for standard-speed mode, and IC\_FS\_SCL\_HCNT and IC\_FS\_SCL\_LCNT for fast-speed mode.
5. Program all required interrupt masks by using the IC\_INTR\_MASK register.
6. Enable the interface by writing 1 to the IC\_ENABLE register.
7. To transmit onto the TWSI bus, write to the IC\_DATA\_CMD register. Bit[7:0]= Data Bit[8]= Command (0 = write, 1 = read).
8. To read data received on the TWSI bus, read from the IC\_DATA\_CMD register. Bit[7:0]= Data.

## 17.3. Timers

There is one timer in the SM power domain, and one timer in the SL1680 SoC power domain. Each of the timers has sixteen separate programmable counters. All these counters can be programmed separately.

Each counter counts down from a programmed value and generates an interrupt when the count reaches zero.

The counters in SoC are driven by a 200 MHz clock. The counters in SM are driven by a 10 to 30 MHz clock. The width of these counters is 32 bits.

The initial value for each counter (that is, the value from which it counts down) is loaded into the counter using the appropriate load count register (TimerNLoadCount). Two events can cause a counter to load the initial count from its TimerNLoadCount register:

- The counter is enabled after being reset or disabled.
- The counter counts down to 0.

All interrupt status registers and end-of-interrupt registers of the counters can be accessed at any time. When a counter counts down to 0, it loads one of two values, depending on the timer operating mode:

- User-defined count mode – Counter loads the current value of the TimerNLoadCount register. Use this mode for a fixed, timed interrupt. Designate this mode by writing a 1 to bit 1 of TimerNControlReg.
- Free-running mode – Counter loads the maximum value, which depends on the counter width (that is, the TimerNLoadCount register is comprised of 32 bits, all of which are loaded with 1s). The timer counter wrapping to its maximum value allows time to reprogram or disable the counter before another interrupt occurs.

## 17.4. Watchdog Timers (WDT)

The SL1680 device integrates three watchdog timers (WDT) in the SoC power domain and three WDT in the SM power domain. The WDT is used to prevent system lock-up that can be caused by conflicting parts or programs in a SoC.

The WDT in a SoC power domain is driven by the Register Configuration Clock at 200 MHz. The WDT in a SM power domain is driven by the System Manager Clock at 10 to 30 MHz.

This section describes the functional operation of the WDT and contains the following sections:

- Counter
- Interrupts
- System Resets
- Reset Pulse Length
- Timeout Period Values

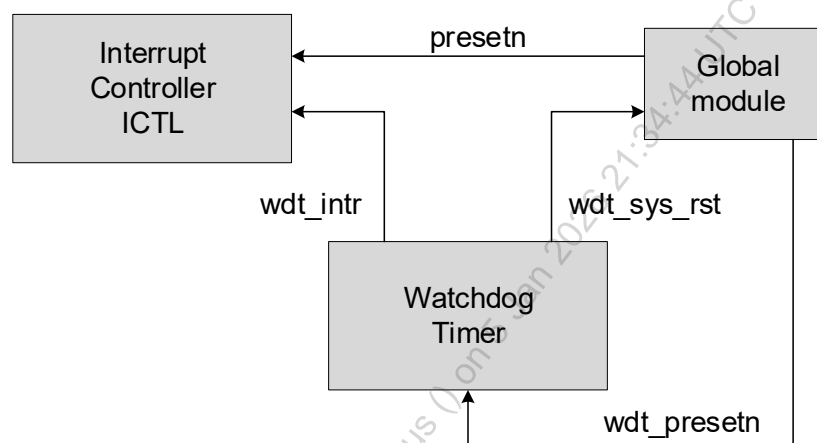


Figure 10. Example Watchdog Timer

The generated interrupt is passed to an interrupt controller. The generated reset is passed to the SL1680 global module, which in turn generates a reset for the components in the system. The WDT can be reset independently of the other components.

### 17.4.1. Counter

The WDT counts from a preset (timeout) value in descending order to zero. When the counter reaches zero, depending on the output response mode selected, either a system reset or an interrupt occurs. When the counter reaches zero, it wraps to the selected timeout value and continues decrementing. The counter can be restarted to its initial value, which is programmed by writing to the restart register at any time. The process of restarting the watchdog counter is sometimes referred to as “kicking the dog.” As a safety feature to prevent accidental restarts, the value 0x76 must be written to the Current Counter Value Register (WDT\_CRR).

### 17.4.2. Interrupts

The WDT can be programmed to generate an interrupt (and then a system reset) when a timeout occurs. When a 1 is written to the response mode field (RMOD, bit 1) of the Watchdog Timer Control Register (WDT\_CR), the WDT generates an interrupt when the first timeout occurs. If it is not cleared by the time a second timeout occurs, then it generates a system reset. If a restart occurs at the same time the watchdog counter reaches zero, an interrupt is not generated.

Figure 11 shows the timing diagram of the interrupt being generated and cleared. The interrupt is cleared by reading the Watchdog Timer Interrupt Clear register (WDT\_EOI) in which no kick is required. The interrupt can also be cleared by a “kick” (watchdog counter restart).

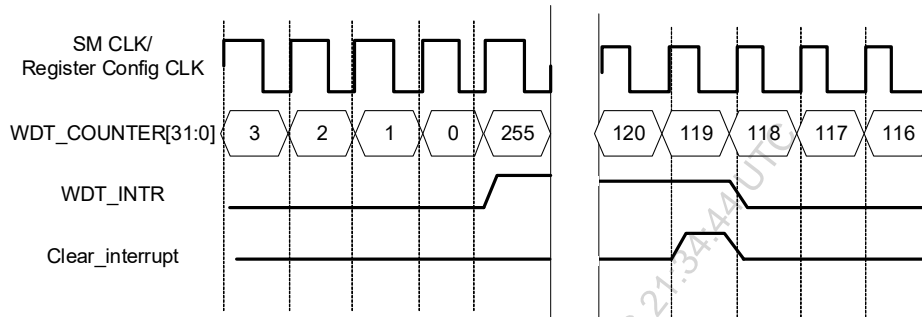


Figure 11. Interrupt Generation

### 17.4.3. System Resets

When a 0 is written to the output response mode field (RMOD, bit 1) of the Watchdog Timer Control Register (WDT\_CR), the WDT generates a system reset when a timeout occurs. Figure 12 shows the timing diagram of a counter restart and the generation of a system reset.

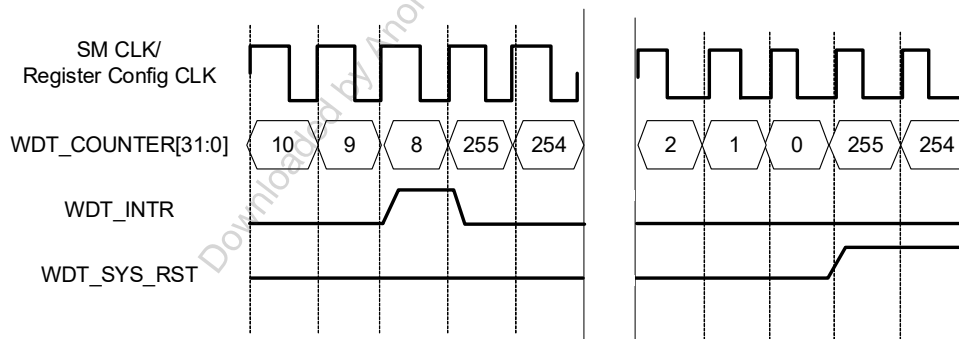


Figure 12. Counter Restart and System Restart

If a restart occurs at the same time the watchdog counter reaches zero, a system reset is not generated.

The length of the reset pulse is the number of clock cycles for which a system reset is asserted. When a system reset is generated, it remains asserted for the number of cycles specified by the reset pulse length or until the system is reset. A counter restart has no effect on the system reset once it has been asserted.

The WDT Timeout period is not fully programmable. However, the software can select from a set of supported timeout periods.

## 17.5. Serial Peripheral Interface

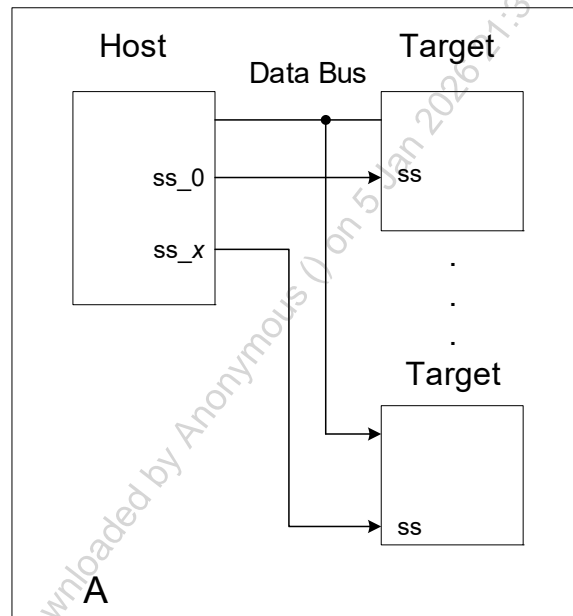
This section describes the functional operation of the Serial Peripheral Interface (SPI) and contains the following sections:

- SPI Overview
- Transfer Modes
- Operation Modes

### 17.5.1. Overview

SPI is a four-wire, full-duplex serial protocol. There are four possible combinations for the serial clock phase and polarity. The clock phase (SCPH) determines whether the serial transfer begins with the falling edge of the target select signal or the first edge of the serial clock. The target select line is held High when the SPI is idle or disabled.

The protocol allows for serial targets to be selected or addressed using either hardware or software. When implemented in hardware, serial targets are selected under the control of dedicated hardware select lines. The number of select lines generated from the serial-host is equal to the number of serial-targets present on the bus. The serial-host device asserts the select line of the serial-target before data transfer begins. This architecture is illustrated in [Figure 13](#).



ss = target select line

Figure 13. Hardware Target Selection

### 17.5.2. Clock Ratios

The frequency of the SPI serial input clock (SPI\_CLK) is 200 MHz. The maximum frequency of the bit-rate clock (SCLK\_OUT) is one-half the frequency of SPI\_CLK, which allows the shift control logic to capture data on one clock edge of SCLK\_OUT and propagate data on the opposite edge (see Figure 14). The SCLK\_OUT line toggles only when an active transfer is in progress. At all other times it is held in an inactive state, as defined by the serial protocol under which it operates.

The frequency of SCLK\_OUT can be derived from the following equation:

$$F_{sclk\_out} = F_{spi\_clk} / Sckdv$$

The SCKDV is a bit field in the programmable register, BAUDR, holding any even value in the range 0 to 65,534. If SCKDV is 0, then SCLK\_OUT is disabled.

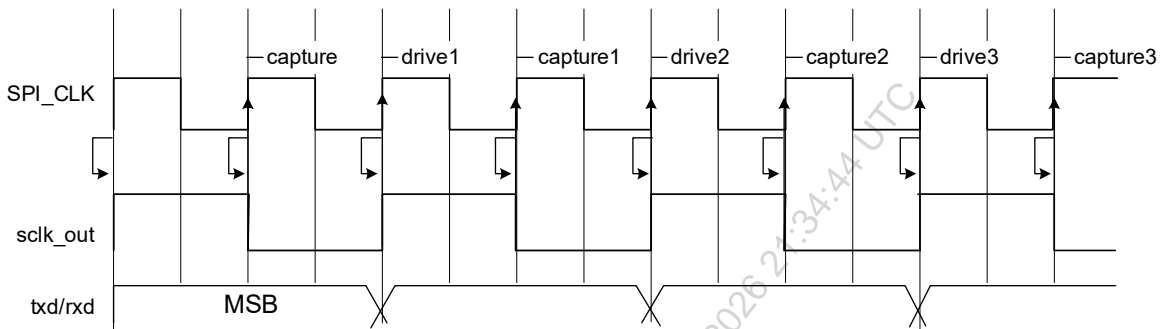


Figure 14. Maximum SCLK\_OUT/SPI\_CLK Ratio

A summary of the frequency ratio restrictions between the bit-rate clock (SCLK\_OUT/SCLK\_IN) and the SPI peripheral clock (spi\_clk) is described as:

$$\text{Host: } F_{spi\_clk} \geq 2 \times (\text{maximum } F_{sclk\_out})$$

### 17.5.3. Transmit and Receive FIFO Buffers

The FIFO buffers used by the SPI are internal D-type flip-flops that have a depth of 64. The widths of both transmit and receive FIFO buffers is fixed at 16 bits due to the serial specifications which state that a serial transfer (data frame) can be 4 to 16 bits in length. Data frames that are less than 16 bits in size must be right-justified when written into the transmit FIFO buffer. The shift control logic automatically right-justifies received data in the receive FIFO buffer.

Each data entry in the FIFO buffers contains a single data frame. It is impossible to store multiple data frames in a single FIFO location (for example, two 8-bit data frames cannot be stored in a single FIFO location). If an 8-bit data frame is required, the upper 8 bits of the FIFO entry are ignored or unused when the serial shifter transmits the data.

Note: The transmit and receive FIFO buffers are cleared when the SPI is disabled (SPI\_EN=0) or when it is reset (PRESETN).

The transmit FIFO is loaded by write commands to the SPI data register (DR). Data are popped (removed) from the transmit FIFO by the shift control logic into the transmit shift register. The transmit FIFO generates a FIFO empty interrupt request (SPI\_TXE\_INTR) when the number of entries in the FIFO is less than or equal to the FIFO threshold value. The threshold value, set through the programmable register TXFTLR, determines the level of FIFO entries at which an interrupt is generated. The threshold value allows for early indication to the processor that the transmit FIFO is nearly empty. A transmit FIFO overflow interrupt (spi\_txo\_intr) is generated for attempts to write data into an already full transmit FIFO.

Data are popped from the receive FIFO by read commands to the SPI data register (DR). The receive FIFO is loaded from the receive shift register by the shift control logic. The receive FIFO generates a FIFO-full interrupt request (SPI\_RXF\_INTR) when the number of entries in the FIFO is greater than or equal to the FIFO threshold value plus 1. The threshold value, set through programmable register RXFTLR, determines the level of FIFO entries at which an interrupt is generated.

The threshold value allows for early indication to the processor that the receive FIFO is nearly full. A receive FIFO overrun interrupt (SPI\_RXO\_INTR) is generated when the receive shift logic attempts to load data into a completely full receive FIFO. However, this newly received data are lost. A receive FIFO underflow interrupt (SPI\_RXU\_INTR) is generated for attempts to read from an empty receive FIFO. This alerts the processor that the read data are invalid.

#### 17.5.4. SPI Interrupts

The SPI supports combined interrupt requests which can be masked. The combined interrupt request is the ORed result of all other SPI interrupts after masking. SPI interrupts are active-high. The SPI interrupts are described as follows:

- Transmit FIFO Empty Interrupt (SPI\_TXE\_INTR) – Set when the transmit FIFO is equal to or below its threshold value and requires service to prevent an underrun. The threshold value, set through a software-programmable register, determines the level of transmit FIFO entries at which an interrupt is generated. This interrupt is cleared by hardware when data are written into the transmit FIFO buffer, bringing it over the threshold level.
- Transmit FIFO Overflow Interrupt (SPI\_TXO\_INTR) – Set when an access attempts to write into the transmit FIFO after it has been completely filled. When set, data written from the APB is discarded. This interrupt remains set until the transmit FIFO overflow interrupt clear register (TXOICR) is read.
- Receive FIFO Full Interrupt (SPI\_RXF\_INTR) – Set when the receive FIFO is equal to or above its threshold value plus 1 and requires service to prevent an overflow. The threshold value, set through a software-programmable register, determines the level of receive FIFO entries at which an interrupt is generated. This interrupt is cleared by hardware when data are read from the receive FIFO buffer, bringing it below the threshold level.
- Receive FIFO Overflow Interrupt (SPI\_RXO\_INTR) – Set when the receive logic attempts to place data into the receive FIFO after it has been completely filled. When set, newly received data are discarded. This interrupt remains set until the receive FIFO overflow interrupt clear register (RXOICR) is read.
- Receive FIFO Underflow Interrupt (SPI\_RXU\_INTR) – Set when an access attempts to read from the receive FIFO when it is empty. When set, zeros are read back from the receive FIFO. This interrupt remains set until the receive FIFO underflow interrupt clear register (RXUICR) is read.
- Multi-Host Contention Interrupt (SPI\_MST\_INTR). The interrupt is set when another serial host on the serial bus selects the SPI host as a serial-target device and is actively transferring data. This informs the processor of possible contention on the serial bus. This interrupt remains set until the multi-host interrupt clear register (MSTICR) is read.
- Combined Interrupt Request (SPI\_INTR) – OR'ed result of all the above interrupt requests after masking. To mask this interrupt signal, mask all other SPI interrupt requests.



### 17.5.5. Transfer Modes

The SPI operates in the following four modes when transferring data on the serial bus:

- Transmit and Receive
- Transmit only
- Receive only
- EEPROM Read

The transfer mode (TMOD) is set by writing to control register 0 (CTRLR0).

Note: The transfer mode setting does not affect the duplex of the serial transfer. TMOD is ignored for Microwire transfers, which are controlled by the MWCR register.

#### 17.5.5.1. Transmit and Receive

When TMOD = 2'b00, both transmit and receive logic are valid. The data transfer occurs as normal according to the selected frame format (serial protocol). Transmit data are popped from the transmit FIFO and sent through the transmitted line to the target device, which replies with data on the received line. The receive data from the target device is moved from the receive shift register into the receive FIFO at the end of each data frame.

#### 17.5.5.2. Transmit Only

When TMOD = 2'b01, the receive data are not valid and should not be stored in the receive FIFO. The data transfer occurs as normal, according to the selected frame format (serial protocol). Transmit data are popped from the transmit FIFO and sent through the transmitted line to the target device, which replies with data on the received line. At the end of the data frame, the receive shift register does not load its newly received data into the receive FIFO. The data in the receive shift register is overwritten by the next transfer. Mask the interrupts originating from the receive logic when this mode is entered.

#### 17.5.5.3. Receive Only

When TMOD = 2'b10, the transmit data are not valid. When configured as a target, the transmit FIFO is never popped in Receive Only mode. Data from a previous transfer is retransmitted from the shift register. The data transfer occurs as normal according to the selected frame format (serial protocol). The receive data from the target device is moved from the receive shift register into the receive FIFO at the end of each data frame. Mask interrupts originating from the transmit logic when this mode is entered.

#### 17.5.5.4. EEPROM Read

When TMOD = 2'b11, the transmit data is used to transmit an opcode or an address to the EEPROM device. Typically, this requires three data frames (8-bit opcode followed by 8-bit upper address and 8-bit lower address). During the transmission of the opcode and address, no data is captured by the receive logic (as long as the SPI host is transmitting data on its transmitted line, data on the received line is ignored). The SPI host continues to transmit data until the transmit FIFO is empty. Therefore, there should be enough data frames in the transmit FIFO to supply the opcode and address to the EEPROM. If more data frames are in the transmit FIFO than are required, then read data is lost. When the transmit FIFO becomes empty (all control information has been sent), data on the receive line (rxd) is valid and is stored in the receive FIFO. The serial transfer continues until the number of data frames received by the SPI host matches the value of the NDF field in the CTRLR1 register + 1.

## 17.5.6. Operation Modes

- Operation Mode
- Serial-Host Mode

### 17.5.6.1. Operation Mode

The SPI interface operates under the following model:

1. Disable the interface by writing 0 to the SPIENR register.
2. Program the baud rate setting into the BAUDR register
3. Set the transfer modes, clock phase and polarity, data frame size, and number of data frames by writing to the CTRLR0 and CTRLR1 registers.
4. Program all required interrupt masks by using the IMR register.
5. Enable the interface by writing 1 to the SPIENR register.
6. Enable the preferred target select line by writing to the SER register.
7. To transmit onto the SPI bus, write to the DR register
8. To read data received from the SPI bus, read from the DR register.

### 17.5.6.2. Serial-Host Mode

This mode enables serial communication with serial-target peripheral devices. The SPI initiates and controls all serial transfers. [Figure 15](#) is an example of the SPI configured as a serial host with all other devices on the serial bus configured as serial targets.

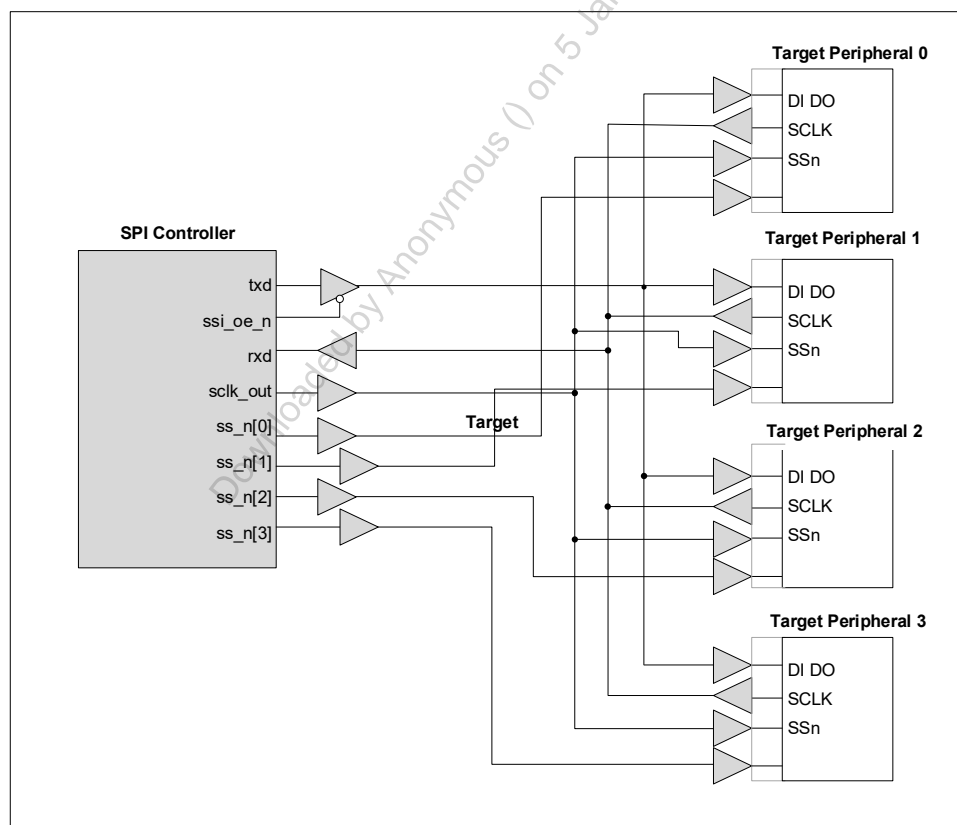


Figure 15. SPI Host Device

The serial bit-rate clock, generated and controlled by the SPI, is driven out on the sclk\_out line. When the SPI is disabled (SPI\_EN = 0), no serial transfers can occur and sclk\_out is held in “inactive” state, as defined by the serial protocol under which it operates.

### 17.5.7. Data Transfers

Data transfers are started by the serial-host device. When the SPI is enabled (SPI\_EN=1), at least one valid data entry is present in the transmit FIFO and a serial-target device is selected. When actively transferring data, the busy flag (BUSY) in the status register (SR) is set. Wait until the busy flag is cleared before attempting a new serial transfer.

The BUSY status is not set when the data are written into the transmit FIFO. This bit is set only when the target has been selected and the transfer is underway. After writing data into the transmit FIFO, the shift logic does not begin the serial transfer until a positive edge of the sclk\_out signal is present. The delay in waiting for this positive edge depends on the baud rate of the serial transfer. Before polling the BUSY status, first poll the TXE status (waiting for 1) or wait for BAUDR \* spi\_clk clock cycles.

### 17.5.8. Serial Peripheral Interface (SPI) Protocol

With the SPI, the clock polarity (SCPOL) configuration parameter determines whether the inactive state of the serial clock is high or low. To transmit data, both SPI peripherals must have identical serial clock phase (SCPH) and clock polarity (SCPOL) values. The data frame can be 4 to 16 bits in length.

When the configuration parameter SCPH = 0, data transmission begins on the falling edge of the target select signal. The first data bit is captured by the host and target peripherals on the first edge of the serial clock; therefore, valid data must be present on the transmitted and received lines prior to the first serial clock edge. Figure 16 is a timing diagram for a single SPI data transfer with SCPH = 0. The serial clock is shown for configuration parameters SCPOL = 0 and SCPOL = 1.

The following signals are illustrated in the timing diagrams in this section: sclk\_out serial clock from SPI host (host configuration only) sclk\_in serial clock from SPI target (target configuration only) ss\_0\_n target select signal from SPI host (host configuration only) ss\_in\_n target select input to the SPI target ss\_oe\_n output enable for the SPI host/target txd transmit data line for the SPI host/target rxd receive data line for the SPI host/target.

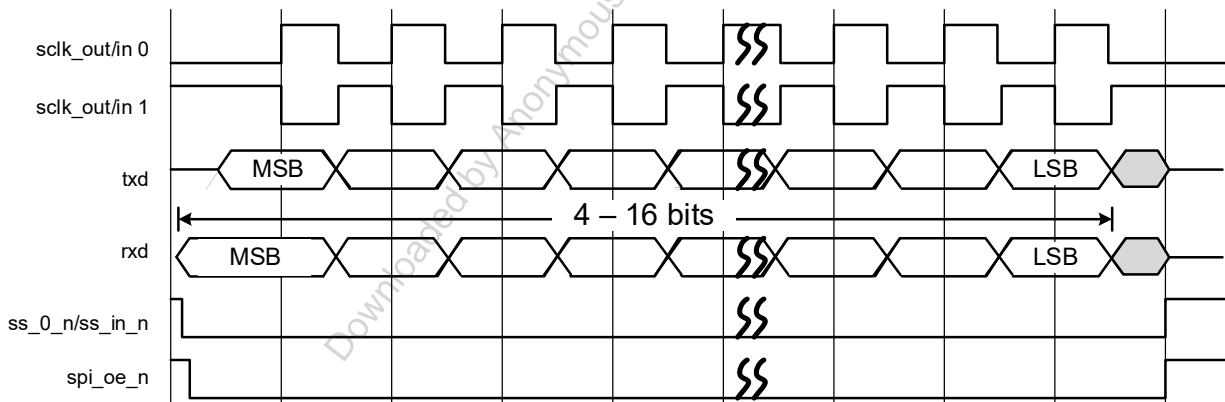


Figure 16. SPI Serial Format (SCPH = 0)

## 18. SD Host

The SL1680 device integrates SDIO controller and SDIO PHY.

### 18.1. SDIO Host Controller Features

- Supports SD memory and SDIO digital interface protocol
- Compliant with SD HCI specification
- Supports SD-HCI Host version 4 mode or less
- Supports the following data transfer types for SD mode
  - PIO
  - SDMA
  - ADMA2
  - ADMA3
- Packet Buffer Depth is 512
- Internal FIFO Depth is 16
- Maximum Outstanding Read Requests is 8
- Maximum Outstanding Write Requests is 8
- Supports 3.3v and 1.8v
- Supports independent controller, target Interface and host Interface clock
- Supports gating of controller base clock if host controller is inactive
- Supports context aware functional clock gates
- Applications can gate the target interface clock if host controller is inactive
- Interrupt Outputs
  - Combined and separate interrupt outputs
  - Supports interrupt enabling and masking
- Supports tuning
  - SD Tuning using CMD19 (SD)
  - Mode 1 Re-Tuning - host driver maintains the re-tune timer
  - Fully Software driven Tuning/Re-tuning operations
  - Auto-tuning or Mode 3 Re-tuning
- Supports 4-bit interface
- Supports UHS-I mode
- Supports Default Speed (DS), high-speed (HS), SDR12, SDR25, SDR50 and SDR104
- Supports SDIO read wait
- Supports SDIO card interrupts in both 1-bit and 4-bit modes
- AHB Target Interface
  - Supports 32-bit data width and address width
  - Transfer size (width) used for target interface can be less than data bus width
- AXI Host Interface
  - Supports 32-bit address and data width
  - Complies with the AMBA 3 AXI for Host Port specification
- SD Specifications Part A2 SD Host Controller Standard Specification Version 4.20, August 2015

## 18.2. SDIO PHY Features

- Supports SDR104, DDR50 and legacy modes
- Voltage signaling (LVS) host and SDIO (3.3V and 1.8V)
  - JESD8-7a (1.8 V) and JESD8c.01 (3.3 V)
- Six I/O signals for each dwc\_emmc\_sd\_phy3318 instance
  - SD or eMMC (4-bit data) operation: Single dwc\_emmc\_sd\_phy3318 instance
  - Each I/O signal independently operates at 1.8 V or 3.3 V
- Three delay lines
- Each delay line consists of the following delay chains
  - A 128-stage variable delay chain
  - A 128-stage fixed delay chain
- Glitch-free, power-sequence free operations
- Hi-Z I/O pad power-up default state
- Clock speeds up to 334 MHz and data rate up to 667 MB/s
- SPI operation
- Open drain applications
- ESD protection for I/O signals and for 3.3 V and 1.8 V power supplies
- Three functional receivers per I/O pad
  - 3.3 V receiver
  - 1.8 V Schmitt trigger
  - 1.8 V comparator receiver
- Power supply requirements for 3.3 V and 1.8 V I/O signaling
  - 3.3 V
  - 1.8 V
  - Low-voltage power supply
- SD Specifications Part A2 SD Host Controller Standard Specification, Version 4.20, September 2013

Downloaded by Anonymous () on 5 Jun 2026 21:37:44 UTC

## 19. eMMC

The SL1680 device integrates eMMC controller and eMMC PHY.

### 19.1. eMMC Host Controller Features

- Uses the same SD-HCI register set for eMMC transfers
- Supports eMMC protocols including eMMC 5.1
- Supports SD-HCI Host version 4 mode or less
- Supports the following data transfer types for eMMC modes:
  - PIO
  - SDMA
  - ADMA2
  - ADMA3
- Packet Buffer Depth is 512
- Internal FIFO Depth is 16
- Maximum Outstanding Read Requests is 8
- Maximum Outstanding Write Requests is 8
- Supports 1.8v.
- Supports independent controller, target interface and host interface clocks
- Supports gating of controller base clock if host controller is inactive
- Support context aware functional clock gates
- Applications can gate the target interface clock if host controller is inactive
- Interrupt Outputs
  - Combined and separate interrupt outputs
  - Supports interrupt enabling and masking
- Supports Command Queuing Engine (CQE) and compliant with eMMC CQ HCI
  - Programmable scheduler algorithm selection of task execution
  - Supports data prefetch for back-to-back WRITE operations
- Supports tuning
  - eMMC Tuning using CMD21 (eMMC)
  - Mode 1 Re-Tuning - host driver maintains the re-tune timer
  - Fully software driven tuning/re-tuning operations
  - Auto-tuning or Mode 3 re-tuning
- Supports 4-bit/8-bit interface
- Supports legacy, high-speed SDR, high-speed DDR, HS200, and HS400 speed modes
- Supports boot operation and alternative boot operation
- AHB Target Interface
  - Supports 32-bit data width and address width
  - Transfer size (width) used for target interface can be less than data bus width
- AXI Host Interface
  - Supports 32-bit address and data width
  - Complies with the AMBA 3 AXI for Host Port specification
- JEDEC eMMC 5.1 Specification - JESD84-B51, February 2015

## 19.2. eMMC PHY Features

- Compliant with eMMC 5.1 with backwards compatibility (HS400 and legacy modes)
  - JESD8-7a (1.2 V/1.8 V)
- Six I/O signals for each dwc\_emmc\_phy1812 instance
  - eMMC (4-bit data) operation: Single dwc\_emmc\_phy1812 instance
  - eMMC (8-bit data) operation: Two dwc\_emmc\_phy1812 instances
- Three delay lines
- Each delay line consists of the following delay chains:
  - A 128-stage variable delay chain
  - A 128-stage fixed delay chain
- Glitch-free, power-sequence free operations
- Hi-Z I/O pad power-up default state
- Clock speeds up to 334 MHz and data rate up to 667 MB/s
- SPI operation
- Open drain applications
- ESD protection for I/O signals and for 1.8 V/1.2 V power supply
- eMMC (1.8 V/1.2 V) PHY has four functional receivers per I/O pad:
  - 1.8-V Schmitt trigger
  - 1.2-V Schmitt trigger
  - 1.8-V comparator receiver
  - 1.2-V comparator receiver
- Power supply requirements
  - 1.8 V I/O signaling: 1.8 V and a low-voltage digital power supply
  - 1.2 V I/O signaling: 1.2 V and a low-voltage digital power supply

## 19.3. DigiLogic-Specific Features

- Capability to enable or disable DLL
- Locked output to the controller/SoC
- Capability to select half-cycle or full-cycle locking with reference to the RefClk
- Once "locked", DigiLogic works in a low-bandwidth mode to validate "locked Phase" correctness. If the DigiLogic cannot attain the lock, it provides an error output
- Code update on target delay line without causing glitches on dataStrobe
- Offset for tweaking the target delay code
- Cut-off clock to host delay line when not used
- Configurable WAIT cycle post phase code change before sampling PD output
- Configurable delay line stages

## 20. Pulse Width Modulator (PWM)

### 20.1. Overview

The Pulse Width Modulator (PWM) provides the capability to generate a high resolution periodic digital signal with programmable duty-cycles to control off-chip devices. It has 4 separate channels that are independently configurable as shown in [Figure 1](#).

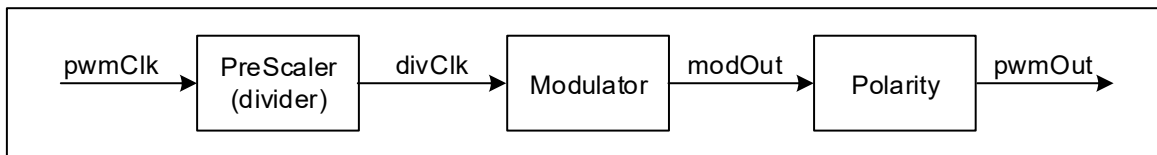


Figure 1. PWM Block Diagram

pwmClk runs @ 100 MHz.

The PreScaler module pre-divides the input clock if a longer periodic signal is needed.

Read-only counter registers are provided via pwmCh01Ctr and pwmCh23Ctr registers for debug. The counters reside within the Modulator block, meaning that they are clocked by divClk, not the original input pwmClk.

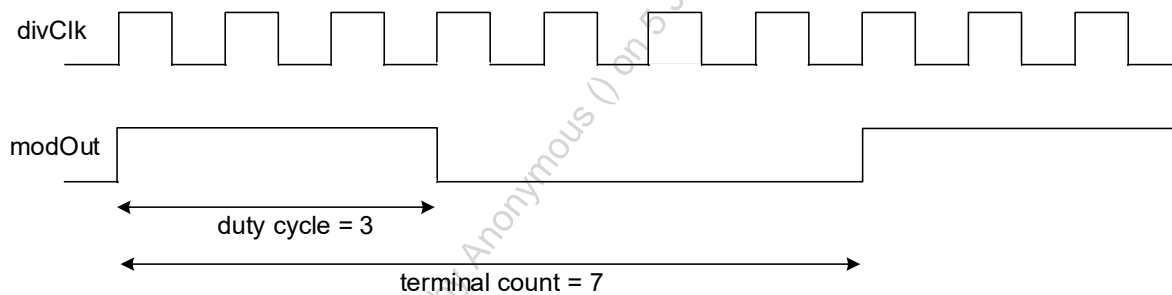


Figure 2. Waveform

- Maximum terminal count supports 65535
- Duty cycle is programmed via the pwmCh\*Duty registers
- Terminal count is programmed via the pwmCh\*TCnt registers
- If duty cycle is 0, modOut always be low
- If duty cycle is  $\geq$  terminal count, modOut is always high
- modOut can be inverted by setting the polarity inversion register, pwmCh\*Pol
- Maximum divider factor supports 4096



## 21. USB 2.0 Host

The SL1680 device integrates USB OTG 2.0 controller and USB 2.0 PHY.

### 21.1. USB Controller Features

- Support OTG 2.0 mode
- Supports 8/16-bit unidirectional parallel interfaces for HS, FS, and LS (Host mode only) modes of operation, in accordance with the UTMI+ Level 3 specification
- Support for the following speeds
  - High-Speed (HS, 480-Mbps)
  - Full-Speed (FS, 12-Mbps)
  - Low-Speed (LS, 1.5-Mbps)
- Multiple options available for low power operations
- Multiple DMA/non-DMA mode access support on the application side
- Supports the Scatter Gather DMA operation in both Device and Host mode
- Supports Periodic OUT Channel in Host mode
- Total Data FIFO RAM Depth is 4288
- Enable dynamic FIFO sizing
- Largest Rx Data FIFO Depth is 4288
- Largest Non-Periodic Host Tx Data FIFO Depth is 4288
- Largest Host mode Periodic Tx Data FIFO Depth is 4288
- Non-Periodic Request Queue Depth is 8
- Host Mode Periodic Request Queue Depth is 16
- Width of Transfer Size Counters is 19
- Width of Packet Counters is 10
- Label Largest Device Mode Tx Data FIFO N Depth are 4288
- Supports different clocks for AHB and the PHY interfaces for ease of integration
- Supports up to 5 bidirectional endpoints, including control endpoint 0.
- Low speed is not supported for DWC\_otg as a device with a UTMI+ PHY.
- Supports Session Request Protocol (SRP)
- Supports Host Negotiation Protocol (HNP)
- Supports up to 8 host channels.
- Supports the external hub connection in Host Buffer DMA mode.
- Includes automatic ping capabilities
- Supports the Keep-Alive in Low-Speed mode and SOFs in High/Full-Speed modes
- AHB Target interface for accessing Control and Status Registers (CSRs), the Data FIFO, and queues
- Supports only 32-bit data on the AHB
- Supports Little-endian or Big-endian mode
- Supports INCR4, INCR8, INCR16, INCR, and SINGLE transfers on the AHB Target interface
- Supports Split, Retry, and Error AHB responses on the AHB Host interface. Split and retry responses are not generated on the AHB Target interface
- Software-selectable AHB burst type on AHB Host interface in DMA mode
  - If INCR4 is chosen, the controller only uses INCR/INCR4, or Single
  - If INCR8 is chosen, the controller normally uses INCR8, but at the beginning and at the end of a transfer, it can use INCR or Single, depending on the size of the transfer
  - If INCR16 is chosen, controller normally uses INCR16, but at the beginning and at the end of a transfer, it can use INCR or Single, depending on the size of the transfer
- Handles the fixed burst address alignment. For example, INCR16 is used only when lower addresses [5:0] are all 0.
- Generates AHB Busy cycles on the AHB Host interface
- Takes care of the 1KB boundary breakup

## 21.2. USB PHY Features

- Implements low-power dissipation while active, idle, or on standby
- Provides parameter override bits for optimal yield and interoperability
- Fully integrates high-, full-, and low-speed (Host mode only) termination and signal switching
- Implements one parallel data interface and clock for high-, full-, and low-speed (Host mode only) USB data transfers
- Requires minimal external components—single resistor on TXRTUNE and single resistor on VBUS0 (if the PHY's VBUS0 pin is used)
- Provides on-chip PLL to reduce clock noise and eliminate the need for an external clock generator
- Supports off-chip charge pump regulator to generate 5 V for VBUS
- Provides Built-in Self-Test (BIST) circuitry to confirm high-, full-, and low-speed operation
- Provides extensive test interface
- Provides 5v tolerance on D+ and D- lines for 24 hours
- Fully integrates 45- $\Omega$  termination, 1.5-k $\Omega$  pull-up and 15-k $\Omega$  pull-down resistors, with support for independent control of the pull-down resistors
- Supports 480-Mbps high-speed, 12-Mbps full-speed, and 1.5-Mbps low-speed (Host mode only) data transmission rates
- Supports 8/16-bit unidirectional parallel interfaces for HS, FS, and LS (Host mode only) modes of operation, in accordance with the UTMI+ specification
- Provides dual (HS/FS) mode host support
- Implements SYNC/End-of-Packet (EOP) generation and checking
- Implements bit stuffing and unstuffing, and bit-stuffing error detection
- Implements Non-Return to Zero Invert (NRZI) encoding and decoding
- Implements bit serialization and deserialization
- Implements holding registers for staging transmit and receive data
- Implements logic to support suspend, sleep, resume
- Supports USB 2.0 test modes
- Implements VBUS threshold comparators

## 22. 10/100/1000 Mbps (Gigabit) Ethernet Controller

The SL1680 device implements one 10/100/1000 Mbps Ethernet port with RGMII interface brought onto pads. The Wake-On-LAN feature will be supported through the external interrupt from RGMII PHY to System Manager block.

### 22.1. Functional Overview

The 10/100/1000 Mbps Ethernet controller in SL1680 device handles all functionality associated with moving packet data between local memory and an Ethernet port. It integrates the MAC function and a RGMII Interface. It is fully compliant with the IEEE 802.3 and 802.3u standards.

The controller speed and duplex mode is auto negotiated through the signaling with external PHY and does not require software intervention. The port also features 802.3x flow-control mode for full-duplex and backpressure mode for half duplex.

Integrated address filtering logic provides support for up to 8K MAC addresses. The address table resides in DRAM with proprietary hash functions for address table management. The address table functionality supports Multicast as well as Unicast address entries.

The Ethernet controller integrates powerful DMA engines, which automatically manage data movement between buffer memory and the controller and guarantee the wire-speed operation on the port. There are two DMA for the SL1680 Ethernet controller—one dedicated for receive and the other for transmit.

### 22.2. Features

The 10/100/1000 Mbps Ethernet port provides the following features:

- IEEE 802.3 compliant MAC Layer function
- 10/100/ 1000 Mbps operation – half and full duplex
- RGMII Specification version 2.6 support to communicate with an external Gigabit PHY
- Flow control features:
  - IEEE 802.3x flow-control for full-duplex operation mode
  - Backpressure for half duplex operation mode
  - Frame bursting and frame extension in 1000 Mbps half-duplex operation
- Internal and external loopback modes
- Full-duplex operation
  - IEEE 802.3x flow control automatic transmission of zero-quanta Pause frame on flow control input de-assertion
- Half-duplex operation:
  - CSMA/CD Protocol support
  - Flow control using backpressure support
  - Frame bursting and frame extension in 1000 Mbps half-duplex operation
- Preamble and start of frame data (SFD) insertion in Transmit path
- Preamble and SFD deletion in the Receive path
- Automatic CRC and pad generation controllable on a per-frame basis
- Automatic Pad and CRC Stripping options for receive frames
- Flexible address filtering modes, such as:
  - Up to 15 additional 48-bit perfect (DA) address filters with masks for each byte
  - Up to 15 48-bit SA address comparison check with masks for each byte
  - 128-bit Hash filter (optional) for Multi-cast and Unicast (DA) addresses
  - Option to pass all Multi-cast addressed frames
  - Promiscuous mode to pass all frames without any filtering for network monitoring
  - Pass all incoming packets (as per filter) with a status report

- Programmable frame length to support Standard or Jumbo Ethernet frames with up to 16 KB of size
- Programmable Inter-frame Gap (IFG) (40–96 bit times in steps of 8)
- Option to transmit frames with reduced preamble size
- Separate 32-bit status for transmit and receive packets
- Receive module for checksum off-load for received IPv4 and TCP packets encapsulated by the Ethernet frame (Type 1)
- Enhanced Receive module for checking IPv4 header checksum and TCP, UDP, or ICMP checksum encapsulated in IPv4 or IPv6 datagrams (Type 2)
- MDIO host interface for PHY device configuration and management
- Standard IEEE 802.3az–2010 for Energy Efficient Ethernet
- CRC replacement, Source Address field insertion or replacement, and VLAN insertion, replacement, and deletion in transmitted frames with per-frame control
- Programmable watchdog timeout limit in the receive path

Downloaded by Anonymous () on 5 Jan 2026 21:34:44 UTC

## 23. PCI-e 2.0

### 23.1. Overview

The SL1680 device implements a PCI-e® subsystem that function as root complex (RC) with 2 physical lanes and up to Gen2 speeds (5Gbps). A PCI-e subsystem has inbound and outbound address translation to map the external PCI-e devices address map to internal system memory map.

### 23.2. Functional Overview

The PCI-e subsystem in SL1680 handles all functionality associated with moving data between SoC and external PCI-e devices. The PCI-e subsystem includes PCI-e controller, PHY, and Reference clock generator.

- PCI-e controller implements all the PCI-e protocol layers, transaction layer, data link layer
- PCI-e PHY Implements the 2 lane TX/ RX SERDES and PCS functionality, and supports speeds up to Gen 2
- Reference clock generator includes a PLL and differential output buffer which is used to supply 100MHz PCI-e specification-compliant reference clock to external devices (endpoints)

All the data movement is done using TLPs in PCI-e.

Outbound packets are generated at the PCI-e controller boundary when there are AXI target transactions received from CPU or other hosts. When PCI-e receives the inbound packets from attached endpoints they are converted into SoC system memory address map, and transactions are generated on AXI host interface.

#### 23.2.1. Features

- PCI-e Root Complex Mode
- Supports all non-optional features of *PCI Express Base Specification, Revision 2.0, Version 1.0*
- Support for the following optional features of the specifications:
  - PCI Express Active State Power Management (ASPM)
  - PCI Express Advanced Error Reporting (AER)
  - ARI Forwarding
- Supports up to 2 Lanes Gen1 and Gen2 (x1 or x2)
- Internal Address Translation units for inbound and outbound transactions
- Embedded DMA for inbound requests and completions
- Automatic Lane Flip and Reversal
- Manual Lane Flip
- Maximum payload sizes up to 512 Bytes
- Supports Legacy and MSI Interrupt
- ECRC Generation and Checking
- Active State Link PM Support - LOs and L1
- 100MHz Reference Clock with PCI-e Standard SSC support

## 24. USB 3.0 Host

### 24.1. Overview

The USB3 host controller provides highly power-efficient operation, higher performance, and extensibility to support new USB3 specification. It is compliant with xHCI which ultimately replaces UHCI/OHCI/EHCI and provides an easy path for new USB specification and technologies.

The host controller supports all USB respective speeds which includes SuperSpeed and USB2 HS/FS.

#### 24.1.1. Features

- 64 bits AXI host system bus interface
  - One AXI host
  - 8 outstanding read requests and 8 outstanding write requests for each read and write client
- 32-bit AHB target register programming interface
- 32-bit addressing
- Up to 127 devices
- Up to 1024 interrupts
- xHCI1.1 compatible
  - Aggressive power management
  - Clean software and Hardware interface
  - Memory access optimization
  - Interrupt Moderation
- Descriptor caching for predictable performance in high latency systems
- Concurrent IN and OUT transfers to get full 8Gbps duplex throughput
- Concurrent USB3.0/2.0/1.1 traffic
  - Designed so that USB2.0 devices do not degrade the overall throughput
  - Net BW increased to 8.48Gbps
- Up to 32K event ring segment table
- Configurable TRB cache memory to enhance predictable performance
  - 4, 8, TRB per EP
  - Up to 32 EPs concurrently (4, 8, 16, 32)
- Dynamic FIFO memory allocation for endpoints
- Endpoint FIFO sizes that are not powers of 2, to allow the use of contiguous memory locations
- LPM protocol in USB 2.0 and Link U1, U2, U3 states for USB 3.0
- Hardware controlled LPM support
- Software controlled standard USB Commands
- Hardware controlled USB bus level and packet level error handling
- Low MIPS requirement
  - Driver involved only in setting up transfers and high-level error recovery
  - Hardware handles data packing and routing to a specific pipe
- PIPE clock and SuperSpeed core clock shutdown and recovery in power-down mode and wake-up
- Features specified in USB3 specification
- Features specified in USB2 specification for HS/FL
- 32 bits/125 MHz PIPE interface to PHY
- 8 bits/60 MHz or 16 bits/30 MHz UTMI interface

## 25. Video Codec

### 25.1. Video Decoder

The video decoder is a multiple format ultra high-definition (UHD) video decoder. It supports decoding of major video formats in ultra high definition. It is capable of decoding multiple video streams with various resolutions and formats simultaneously.

Figure 1 shows the interactions between the video decoder subsystem and other components in a conceptual video playback system. The video decoder subsystem decodes the compressed video elementary streams to produce the reconstructed video frames in YUV format for display or further processing. Both the input video elementary stream and output frames are stored in DRAM.

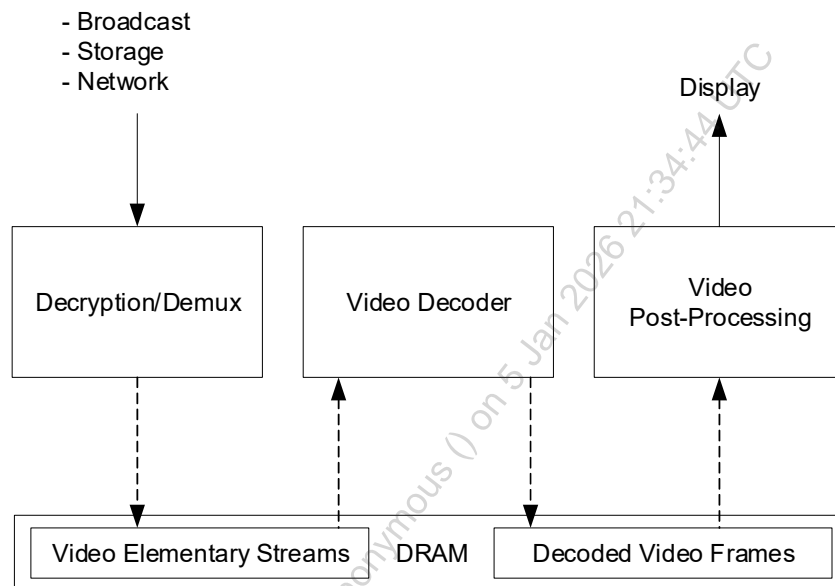


Figure 1. Video Decoder Sub-system in a Video Playback System

The video decoder subsystem contains the following two standard interfaces for communicating with the rest of the system, as shown in Figure 2. There is one CPU control interface for video decoder internal register and SRAM access, and one DRAM Data interface for video decoder to access compressed, decompressed video, and intermediate data buffers.

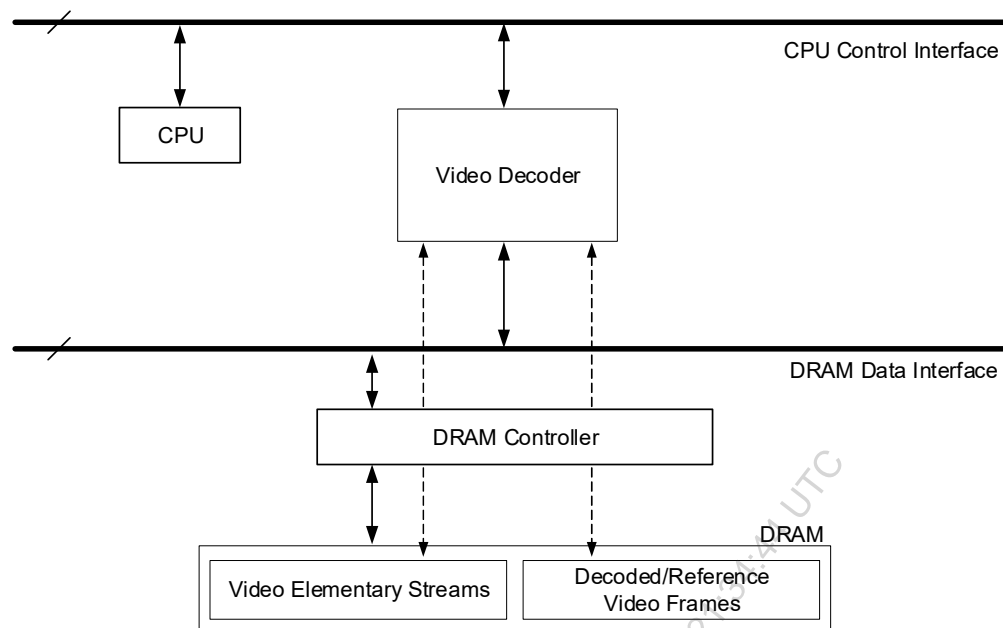


Figure 2. Top Level Interfaces to Video Decoder Sub-system

Besides these two interfaces, the video decoder also has an interrupt connection to the SoC CPU. The interrupt is used to communicate with the CPU regarding the video decoder's internal status and events that may require the CPU's intervention.

### 25.1.1. Supported Video Decode Formats

Table 1. Supported Video Decode Formats

Feature	Description
H.265 (HEVC)	Main, Main 10 Profiles, up to Level 5.1, UHD 10-bit @ 60 fps
H.264 (AVC)	Constrained Baseline, Main, High, Stereo High Profiles, up to Level 5.2,UHD @ 60 fps
AV1	Main Profile, up to Level 5.1, UHD 10-bit @ 60 fps
VP9	Profile 0 and Profile 2, up to UHD 10-bit @ 60 fps
VP8	Version 2 (WebM), up to FHD @ 60 fps
MPEG-2	Main Profile, up to High Level, FHD @ 60 fps

The video decoder can switch between video streams with any supported format and resolutions. The stream switching should only take place at the frame boundary. There is no limitation to the number of simultaneous streams the video decoder can support, as long as the total performance requirements are within performance constraints of the video decoder.

The video decoder has a built-in error resilience function. Video bitstream errors can be handled inside the video decoder without high level application's intervention.



## 25.2. Video Encoder

### 25.2.1. Supported Video Encode Formats

Table 2. Supported Video Encode Formats

Feature	Description
H.264 (AVC)	Constrained Baseline, Main, High Profiles, I/P frames only up to Level 4.2, FHD @ 60 fps
VP8	Version 2 (WebM), up to FHD @ 60 fps

Downloaded by Anonymous () on 5 Jan 2026 21:34:44 UTC

## 26. References

- *SL1680 Embedded IoT Processor Datasheet* (PN: 505-001413-01)  
Provides a feature list and overview describing the SL1680. It also provides the pin description, pin map, mechanical drawings, and electrical specifications.

Downloaded by Anonymous () on 5 Jan 2026 21:34:44 UTC

## 27. Revision History

Last Modified	Revision	Description
November 2024	A	Initial release.
February 2025	B	Updated <a href="#">Section 4.4, CPU Clock</a> , on page 34; changed 9 MHz to 20 MHz, and 3 GHz to 2.2 GHz.

Downloaded by Anonymous () on 5 Jan 2026 21:34:44 UTC



### Copyright

Copyright © 2024–2025 Synaptics Incorporated. All Rights Reserved

### Trademarks

Synaptics, the Synaptics logo, and Astra are trademarks or registered trademarks of Synaptics Incorporated in the United States and/or other countries.

Arm, Cortex, NEON, CoreSight, and TrustZone are registered trademarks or trademarks of Arm Limited (or its subsidiaries) in the US and/or elsewhere. Android is a trademark of Google LLC. OpenGL ES is a trademark or registered trademark of Hewlett Packard Enterprise in the United States and/or other countries worldwide. OpenCL and the OpenCL logo are trademarks of Apple Inc. used by permission by Khronos. Vulkan and the Vulkan logo are registered trademarks of the Khronos Group Inc. Imagination and PowerVR are trademarks or registered trademarks of Imagination Technologies Limited. MIPI DSI and MIPI CSI2 are service marks of MIPI Alliance. PCI Express and PCI-e are registered trademarks of PCI-SIG. VeriSilicon is a registered trademark of VeriSilicon Holdings Co., Ltd. All other trademarks are the properties of their respective owners.

### Contact Us

Visit our website at [www.synaptics.com](http://www.synaptics.com) to locate the Synaptics office nearest you.  
PN: PN: 505-001414-01 Rev.B

### Notice

Use of the materials may require a license of intellectual property from a third party or from Synaptics. This document conveys no express or implied licenses to any intellectual property rights belonging to Synaptics or any other party. Synaptics may, from time to time and at its sole option, update the information contained in this document without notice.

INFORMATION CONTAINED IN THIS DOCUMENT IS PROVIDED "AS-IS," AND SYNAPTICS HEREBY DISCLAIMS ALL EXPRESS OR IMPLIED WARRANTIES, INCLUDING BUT NOT LIMITED TO ANY IMPLIED WARRANTIES OF MERCHANTABILITY AND FITNESS FOR A PARTICULAR PURPOSE, AND ANY WARRANTIES OF NON-INFRINGEMENT OF ANY INTELLECTUAL PROPERTY RIGHTS. IN NO EVENT SHALL SYNAPTICS BE LIABLE FOR ANY DIRECT, INDIRECT, INCIDENTAL, SPECIAL, PUNITIVE, OR CONSEQUENTIAL DAMAGES ARISING OUT OF OR IN CONNECTION WITH THE USE OF THE INFORMATION CONTAINED IN THIS DOCUMENT, HOWEVER CAUSED AND BASED ON ANY THEORY OF LIABILITY, WHETHER IN AN ACTION OF CONTRACT, NEGLIGENCE OR OTHER TORTIOUS ACTION, AND EVEN IF SYNAPTICS WAS ADVISED OF THE POSSIBILITY OF SUCH DAMAGE. IF A TRIBUNAL OF COMPETENT JURISDICTION DOES NOT PERMIT THE DISCLAIMER OF DIRECT DAMAGES OR ANY OTHER DAMAGES, SYNAPTICS' TOTAL CUMULATIVE LIABILITY TO ANY PARTY SHALL NOT EXCEED ONE HUNDRED U.S. DOLLARS.